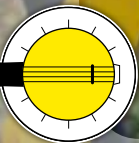


CONNECT WITH CONFIDENCE™

CATALOG #62 EFFECTIVE OCTOBER 1, 2020

NEW EASY-FILL™ VALVE

BANJ
Liquid Handling Products



IDEX

NEW PRODUCTS	3-5
VALVES	6-16
ELECTRIC VALVES	17-22
MANIFOLD FLANGE CONNECTIONS	23-50
DRY-MATES®	51-60
IBC/TANK ACCESSORIES	61-69
CAM LEVER COUPLINGS	70-77
PIPE FITTINGS	78-83
LINE STRAINERS	84-95
CENTRIFUGAL PUMPS	96-157
REFERENCE	158-171

EASY-FILL™ VALVES

FEATURES

- Eliminates multiple fittings for fill applications
- Available in 2" and 3" sizes
- Full flow (full port) design
- Stubby valve configuration reduces profile
- Extended coupler prevents handle interference
- Carry handle available for other Banjo valves on following page



EASY-FILL™ VALVES

PART NO	DESCRIPTION	MAX PSI	QTY
VSBHB204FP	2" FULL PORT EASY-FILL™ VALVE	150	1
VSBHB205FP	2" FULL PORT EASY-FILL™ VALVE W/CARRY HANDLE	150	1
VSBHB304FP	3" FULL PORT EASY-FILL™ VALVE	100	1
VSBHB305FP	3" FULL PORT EASY-FILL™ VALVE W/CARRY HANDLE	100	1
H25053	2" & 3" CARRY HANDLE	N/A	1

CARRY HANDLE

FEATURES

- The H25053 Carry Handle requires longer bolts and flat washers
- Order two replacement bolts and two flat washers per handle

CARRY HANDLE COMPATIBILITY

VALVE	LIMITED ORIENTATION	BOLT PART NO	QTY	WASHER PART NO	QTY	VALVE	LIMITED ORIENTATION	BOLT PART NO	QTY	WASHER PART NO	QTY
DM150A	N	BF206	2	19766	2	MVSM220HSFP	Y	BF206	2	19766	2
DM150D	Y	BF206	2	19766	2	MVSM300HSFP	Y	BF206	2	19766	2
DM200A	N	BF206	2	19766	2	V125FP	N	V25017	2	19766	2
DM200D	Y	BF206	2	19766	2	V150	N	V25017	2	19766	2
DM220A	N	BF206	2	19766	2	V200	N	V25017	2	19766	2
DM220D	Y	BF206	2	19766	2	V200FP	N	V30017	2	19766	2
DM300AFP	N	BF206	2	19766	2	V204FP	N	V30017	2	19766	2
DM300DFP	Y	BF206	2	19766	2	V300	N	V25018	2	19766	2
MV220CF	N	V30017	2	19766	2	V300FP	N	V35018	2	19766	2
MV300	N	V25018	2	19766	2	VFMT204FP	N	V30017	2	19766	2
MV300CF	N	V35018	2	19766	2	VS204FP	N	BF206	2	19766	2
MVS220CF	N	BF206	2	19766	2	VSF200	N	BF206	2	19766	2
MVS220FP	N	BF206	2	19766	2	VSF204FP	N	BF206	2	19766	2
MVS220FP	N	BF206	2	19766	2	VSFHB200	N	BF206	2	19766	2
MVS220HSFP	Y	BF206	2	19766	2	VSFMT200	N	BF206	2	19766	2
MVS300CFFP	N	BF206	2	19766	2	VSFMT204FP	N	BF206	2	19766	2
MVS300HSFP	Y	BF206	2	19766	2	VSFMT204HSFP	Y	BF206	2	19766	2
MVSF220HSFP	Y	BF206	2	19766	2	VSFMT300FP	N	BF206	2	19766	2
MVSF300FP	N	BF206	2	19766	2	VSFMT300HSFP	Y	BF206	2	19766	2
MVSF300HSFP	Y	BF206	2	19766	2	VSMT200	N	BF206	2	19766	2
MVSM220FP	N	BF206	2	19766	2	VSMT204FP	Y	BF206	2	19766	2

SKIRTED FLANGE GASKETS

FEATURES

- 1"-3" EPDM Gaskets
- Skirted design aligns with manifold flanges and stays in place during connections
- Grooves facilitate visual alignment of fittings at 45° increments



SKIRTED FLANGE GASKETS

PART NO	DESCRIPTION	GASKET MATERIAL	QTY
M102G	1" & 1½" SKIRTED FLANGE GASKET	EPDM	1
M202G	1½" SKIRTED FLANGE GASKET	EPDM	1
M222G	2" SKIRTED FLANGE GASKET	EPDM	1
M302G	3" SKIRTED FLANGE GASKET	EPDM	1



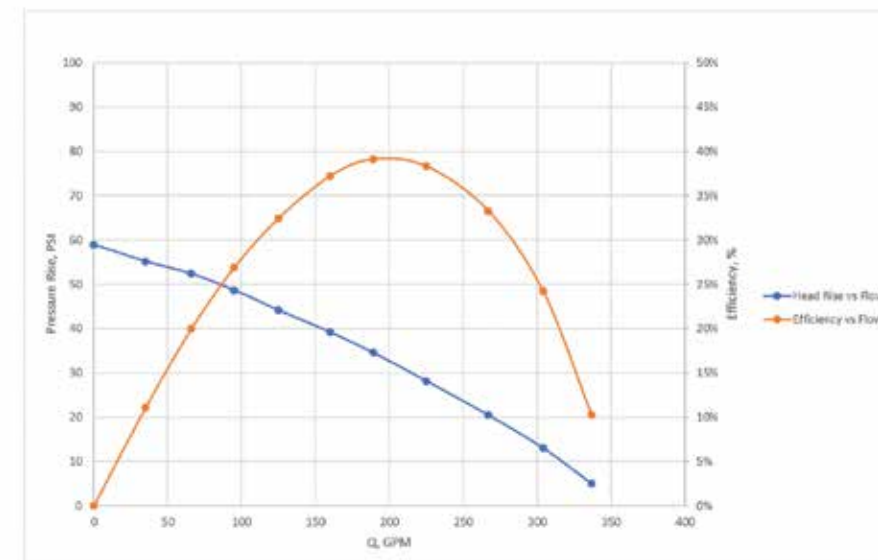
305PHYWV



305PHA

3" POLY PUMPS W/5 VANE

PART NO	DESCRIPTION	HP	QTY
305PHA	3" POLY PUMP W/5 VANE IMPELLER W/OUT HYDRAULIC MOTOR	N/A	1
305PHAW	3" POLY WET SEAL PUMP W/5 VANE IMPELLER W/OUT HYDRAULIC MOTOR	N/A	1
305PHYWV	3" POLY WET SEAL PUMP W/5 VANE IMPELLER W/ HYDRAULIC MOTOR W/FKM SEALS	12	1
M305PHYW	3" POLY WET SEAL PUMP W/5 VANE IMPELLER W/ HYDRAULIC MOTOR W/EPDM SEALS	12	1



3" POLYPROPYLENE PUMPS WITH 5 VANE IMPELLERS

FEATURES

- Run dry capability
- Precision molded construction
- Lightweight
- Corrosion resistant
- Low maintenance
- V-shaped for quicker priming
- 5 vane impeller for more flow



WARNING! DO NOT USE WITH FLAMMABLE LIQUIDS

1/4" - 1" POLY MICRO VALVES

FEATURES

- 90° rotating handle
- 90° locking, rotating handle (with asterisk *)
- Precision molded polypropylene is reinforced with fiberglass for additional strength.
- Standard FKM seats and O-Rings

JG John Guest Fitting
The brand "John Guest" is a registered trademark of John Guest International Limited.



MICRO VALVES					
PART NO	DESCRIPTION	MAX PSI	THREAD SIZE	OPENING THRU BALL	QTY
LV025V	1/4" FEMALE NPT MICRO VALVE	300	1/4"	3/8"	1
LV038V	3/8" FEMALE NPT MICRO VALVE	300	3/8"	3/8"	1
LV050V	1/2" FEMALE NPT MICRO VALVE	300	1/2"	15/32"	1
LV050SLV	1/2" SIDE LOAD MICRO VALVE	300	1/2"	1/2"	1
LV050SLLV*	1/2" SIDE LOAD LOCKING MICRO VALVE	300	1/2"	15/32"	1

MICRO VALVES					
PART NO	DESCRIPTION	MAX PSI	THREAD SIZE	OPENING THRU	QTY
LVHB025V	1/4" HOSE BARB MICRO VALVE	300	1/4"	3/8"	1
LVHB038V	3/8" HOSE BARB MICRO VALVE	300	3/8"	3/8"	1
LVHB050V	1/2" HOSE BARB MICRO VALVE	300	1/2"	3/8"	1
LVHB075V	3/4" HOSE BARB MICRO VALVE	300	3/4"	15/32"	1

MICRO VALVES					
PART NO	DESCRIPTION	MAX PSI	THREAD SIZE	OPENING THRU BALL	QTY
LV025MTV	1/4" FEMALE X MALE NPT MICRO VALVE	300	1/4"	3/8"	1
LV038MTV	3/8" FEMALE X MALE NPT MICRO VALVE	300	3/8"	3/8"	1
LV038050MTV	3/8" FEMALE X 1/2" MALE NPT MICRO VALVE	300	3/8" x 1/2"	3/8"	1
LV038050MTLV*	3/8" FEMALE X 1/2" MALE NPT LOCKING MICRO VALVE	300	3/8" x 1/2"	3/8"	1
LV050MTV	1/2" FEMALE X MALE NPT MICRO VALVE	300	1/2"	15/32"	1
LV050100MTV	1/2" FEMALE X 1" MALE NPT MICRO VALVE	300	1/2"	15/32"	1
LV050100MTLV*	1/2" FEMALE X 1" MALE NPT LOCKING MICRO VALVE	300	1/2" x 1"	15/32"	1

MICRO VALVES					
PART NO	DESCRIPTION	MAX PSI	THREAD SIZE	OPENING THRU BALL	QTY
LVHB038050MTV	3/8" HOSE BARB X 1/2" MALE NPT MICRO VALVE	300	1/2"	3/8"	1
LVHB075MTV	3/4" HOSE BARB X 3/4" MALE NPT MICRO VALVE	300	3/4"	1/2"	1
LVHB075MTLV*	3/4" HOSE BARB X 3/4" MALE NPT LOCKING MICRO VALVE	300	3/4"	15/32"	1
LVHB075100MTV	3/4" HOSE BARB X 1" MALE NPT MICRO VALVE	300	1"	15/32"	1
LVHB075MTLV*	3/4" HOSE BARB X 3/4" MALE NPT LOCKING MICRO VALVE	300	3/4"	15/32"	1
LVHB075100MTLV	3/4" HOSE BARB X 1" MALE NPT LOCKING MICRO VALVE	300	1"	15/32"	1

MICRO VALVES					
PART NO	DESCRIPTION	MAX PSI	THREAD SIZE	OPENING THRU BALL	QTY
LVPL038MPTV	3/8" FEMALE PUSH LOCK X 3/8" NPT MICRO VALVE FKM	150	3/8"	3/8"	1
LVPL038025MPTV	3/8" FEMALE PUSH LOCK X 1/4" NPT MICRO VALVE FKM	150	1/4"	3/8"	1

MICRO VALVES					
PART NO	DESCRIPTION	MAX PSI	THREAD SIZE	OPENING THRU BALL	QTY
LVPL025V	1/4" FEMALE PUSH LOCK MICRO VALVE	300	1/4"	3/8"	1
LVPL038V	3/8" FEMALE PUSH LOCK MICRO VALVE	150	3/8"	3/8"	1
LVPL050V	1/2" FEMALE PUSH LOCK MICRO VALVE	150	1/2"	15/32"	1



4 BOLTED VALVES							
PART NO	DESCRIPTION	MAX PSI	PIPE SIZE	OPENING THRU	QTY	REPLACEMENT HANDLE	REPAIR KIT
V050	1/2" FULL PORT VALVE	300	1/2"	3/4"	24/box	V10153A	V07200
V075	3/4" FULL PORT VALVE	300	3/4"	3/4"	24/box	V10153A	V07200
V100	1" STANDARD PORT VALVE	225	1"	3/4"	24/box	V10153A	V07200
V100FP	1" FULL PORT VALVE	300	1"	1"	24/box	V10153A	V10200
V125	1 1/4" STANDARD PORT VALVE	300	1 1/4"	1"	24/box	V10153A	V10200
V125FP	1 1/4" FULL PORT VALVE	225	1 1/4"	1 1/2"	24/box	V20153	V20200
V150	1 1/2" FULL PORT VALVE	225	1 1/2"	1 1/2"	24/box	V20153	V20200
V200	2" STANDARD PORT VALVE	225	2"	1 1/2"	24/box	V20153	V20200



VALVE ACCESSORIES			
PART NO	DESCRIPTION	FITS VALVES	QTY
VL20153	LOCKING DEVICE	V125, V150, V200	1
V10270	STRAIGHT MOUNTING BRACKET	V100FP, V125	1
V10271	90° MOUNTING BRACKET	V100FP, V125	1
V25270	STRAIGHT MOUNTING BRACKET	V125FP, V150, V200	1
V25271	90° MOUNTING BRACKET	V125FP, V150, V200	1
V10153138	1" X 1 1/8" HANDLE OFFSET	V100FP, V125	1
V20153138	2" FP X 1 1/8" HANDLE OFFSET	V125FP, V150, V200	1
V25153138	2" FP X 1 1/8" HANDLE OFFSET	V200FP	1

1/2" - 2" 4 BOLTED VALVES

FEATURES

- FKM seals.
- Precision molded polypropylene is reinforced with fiberglass for additional strength.
- Self-aligning ball moves freely against the PTFE seats for smooth operation. The valve opens and closes with very little pressure on the handle.
- Ball is diamond turned, after molding, to make it spherically perfect, which provides precise contact between ball and seats.
- PTFE self-lubricating stem bushings and seats cannot stick or bind.
- Stainless steel bolts.

REPAIR KIT INCLUDES:

- Ball
- Body gasket
- Thrust washer
- Ball seats
- Upper stem bushing
- Stem o-ring

VALVE ACCESSORIES

FEATURES

- 304 stainless steel construction
- Installs under valve handle
- Comes complete with handle and locking device
- Padlock not included

2"-4" 6 BOLTED VALVES

FEATURES

- FKM seals.
- Precision molded polypropylene is reinforced with fiberglass for additional strength.
- Self-aligning ball moves freely against the PTFE seats for smooth operation. The valve opens and closes with very little pressure on the handle.
- Ball is diamond turned, after molding, to make it spherically perfect, which provides precise contact between ball and seats.
- PTFE self-lubricating stem bushings and seats cannot stick or bind.
- Stainless steel bolts.

REPAIR KIT INCLUDES:

- Ball
- Body gasket
- Thrust washer
- Ball seats
- Upper stem bushing
- Stem o-ring



6 BOLTED VALVES							
PART NO	DESCRIPTION	MAX PSI	PIPE SIZE	OPENING THRU BALL	QTY	REPLACEMENT HANDLE	REPAIR KIT
V200FP	2" FULL PORT VALVE	225	2"	2"	8/box	V25153	V25200
VFMT200FP	2" FULL PORT VALVE W/ F ADAPTER	225	2"	2"	6/box	V25153	V25200
V300	3" STANDARD PORT VALVE	225	3"	2½"	8/box	V25153	V30200
V300FP	3" FULL PORT VALVE	200	3"	3"	6/box	V25153	V35200
V400	4" STANDARD PORT VALVE	100	4"	3½"	4/box	V25153	V40200



4 BOLTED FULL PORT VALVES							
PART NO	DESCRIPTION	MAX PSI	PIPE SIZE	OPENING THRU BALL	QTY	REPLACEMENT HANDLE	REPAIR KIT
VFMT204FP	2" FULL PORT VALVE MALE NPT X MALE ADAPTER	150	2"	2"	6/box	V25153	V25200
V204FP	2" FULL PORT VALVE	150	2"	2"	8/box	V25153	V25200

2" FULL PORT 4 BOLTED BALL VALVES

FEATURES

- FKM seals
- Stainless steel bolts
- PTFE self-lubricating stem bushings and seats cannot stick or bind
- Precision molded in fiberglass reinforced polypropylene
- Self-aligning ball moves freely against the PTFE seats for smoother operation
- Valve opens and closes with very little pressure on the handle
- Ball is diamond turned after molding to make it spherically perfect, which provides precise contact between ball and seats

REPAIR KIT INCLUDES:

- Ball
- Body gasket
- Thrust washer
- Ball seats
- Upper stem bushing
- Stem o-ring

VALVE ACCESSORIES

FEATURES

- Stainless steel hardware
- Locks in open and closed positions
- Locking handle replaces standard handle (sold separately)
- Padlock not included



VALVE ACCESSORIES			
PART NO	DESCRIPTION	FITS VALVES	QTY
VL25153	LOCKING HANDLE	V200FP, V300, V300FP, V400, VFMT200FP, VFMT200FPPSH	1
V25270	STRAIGHT MOUNTING BRACKET	V200FP, V300, V300FP, V400, VFMT200FP, VFMT200FPPSH	1
V25271	90° MOUNTING BRACKET	V200FP, V300, V300FP, V400, VFMT200FP, VFMT200FPPSH	1



FULL PORT ANSI FLANGE BOLTED VALVES							
PART NO	DESCRIPTION	MAX PSI	PIPE SIZE	OPENING THRU BALL	QTY	REPLACEMENT HANDLE	REPAIR KIT
VSF200FPAF	2" FULL PORT VALVE MALE ADAPTER X 2" ANSI FLANGE	200	2"	2"	6/box	V25153SH	VS25200
VSMT200FPAF	2" FULL PORT VALVE X 2" ANSI FLANGE	200	2"	2"	6/box	V25153SH	VS25200

2" FULL PORT ANSI FLANGE BOLTED BALL VALVES

FEATURES

- 100% PTFE seats
- FKM seals
- Glass-filled polypropylene
- Unique compact design
- Lightweight
- Gaskets featured on page 73

REPAIR KIT INCLUDES:

- Ball
- Body gasket
- Thrust washer
- Ball seats
- Upper stem bushing
- Stem o-ring

2" STANDARD PORT STUBBY BALL VALVES

FEATURES

- Stainless steel bolts
- Glass reinforced polypropylene
- Multiple design options
- Unique patented compact design
- Lightweight
- All PTFE seals

REPAIR KIT INCLUDES:

- Ball
- Body gasket
- Thrust washer
- Ball seats
- Upper stem bushing
- Stem o-ring



VSF200



VSMT200



VSMT204FP



VSF204FP



VSFMT200



VSFHB200



VS204FP



VSFMT204FP



VSFMT204HSFP

2" STANDARD PORT STUBBY VALVES

PART NO	DESCRIPTION	MAX PSI	PIPE SIZE	OPENING THRU BALL	QTY	REPLACEMENT HANDLE	REPAIR KIT
VSF200	2" MALE ADAPTER X 2" FEMALE NPT	100	2"	1½"	24/box	VS20152SH	VS20200
VSMT200	2" MALE NPT X 2" FEMALE NPT	100	2"	1½"	24/box	VS20152SH	VS20200
VSFMT200	2" MALE ADAPTER X 2" MALE NPT	225	2"	1½"	24/box	VS20152SH	VS20200
VSFHB200	2" MALE ADAPTER X 2" HOSE BARB	100	2"	1½"	24/box	VS20152SH	VS20200

2" FULL PORT STUBBY VALVES

PART NO	DESCRIPTION	MAX PSI	PIPE SIZE	OPENING THRU BALL	QTY	REPLACEMENT HANDLE	REPAIR KIT
VSMT204FP	2" MALE NPT X 2" FEMALE NPT	200	2"	2"	18/BOX	VS25153	VS25200
VSF204FP	2" MALE ADAPTER X 2" FEMALE NPT	100	2"	2"	18/BOX	VS25153	VS25200
VS204FP	2" FEMALE NPT X 2" FEMALE NPT	225	2"	2"	18/BOX	VS25153	VS25200
VSFMT204FP	2" MALE ADAPTER X 2" MALE NPT	150	2"	2"	18/BOX	VS25153	VS25200
VSFMT204HSFP	2" FP MALE ADAPTER X 2" MALE NPT W/ SS BALL, STEM & HANDLE	150	2"	2"	18/BOX	VS25153SS	VSSH25200

2" FULL PORT STUBBY BALL VALVES

FEATURES

- Stainless steel bolts
- 100% PTFE ball seats
- Glass reinforced polypropylene
- Unique patented compact design
- Lightweight
- FKM body seals

REPAIR KIT INCLUDES:

- Ball
- Body gasket
- Thrust washer
- Ball seats
- Upper stem bushing
- Stem o-ring

3" STANDARD PORT STUBBY BALL VALVES

FEATURES

- Stainless steel bolts
- Glass reinforced polypropylene
- FKM body seals
- Unique patented compact design
- Lightweight
- All PTFE seats

REPAIR KIT INCLUDES:

- Ball
- Body gasket
- Thrust washer
- Ball seats
- Upper stem bushing
- Stem o-ring



3" STANDARD PORT STUBBY VALVES

PART NO	DESCRIPTION	MAX PSI	PIPE SIZE	OPENING THRU BALL	QTY	REPLACEMENT HANDLE STRAIGHT	REPLACEMENT HANDLE SHORT	REPAIR KIT
VSF300	3" FEMALE NPT X 3" MALE ADAPTER	100	3"	2½"	6/box	V25153	V25153SH	VS30200
VSMT300	3" FEMALE NPT X 3" MALE NPT	100	3"	2½"	6/box	V25153	V25153SH	VS30200
VSFMT300	3" MALE NPT X 3" MALE ADAPTER	225	3"	2½"	6/box	V25153	V25153SH	VS30200

3" FULL PORT STUBBY BALL VALVES

FEATURES

- Stainless steel bolts
- Glass reinforced polypropylene
- FKM body seals
- Unique patented compact design
- Lightweight
- All PTFE ball seats

REPAIR KIT INCLUDES:

- Ball
- Body gasket
- Thrust washer
- Ball seats
- Upper stem bushing
- Stem o-ring



3" FULL PORT STUBBY VALVES

PART NO	DESCRIPTION	MAX PSI	PIPE SIZE	OPENING THRU BALL	QTY	REPLACEMENT HANDLE	REPAIR KIT
VSFMT300FP	3" FULL PORT MALE ADAPTER X 3" MALE NPT	100	3"	3"	6/box	V25153	VS35200
VSFMT300HSFP	3" FULL PORT MALE ADAPTER X 3" MALE NPT W/SS BALL, STEM & HANDLE	100	3"	3"	6/box	VS30153SS	VSSH35200

3 WAY BOTTOM LOAD BALL VALVES

FEATURES

- Stainless steel bolts
- Precision molded in fiberglass reinforced polypropylene for additional strength
- Self-aligning ball moves freely against the PTFE seats for smooth operation
- Ball is diamond turned after molding to make it spherically perfect, which provides precise contact between ball and seats
- PTFE self-lubricating stem bushings and seats
- FKM body seals
- Directional flow, right or left. Valve can be turned off to stop flow



3 WAY BOTTOM LOAD VALVES

PART NO	DESCRIPTION	MAX PSI	PIPE SIZE	OPENING THRU BALL	QTY	HANDLE TYPE	REPLACEMENT HANDLE	REPAIR KIT
V075BL	¾" 3-WAY BOTTOM LOAD VALVE	200	¾"	1"	18/box	T	V10353TB	V10300SL
V100BL	1" FP 3-WAY BOTTOM LOAD VALVE	225	1"	1"	18/box	T	V10353TB	V10300SL
V125BL	1¼" 3-WAY BOTTOM LOAD VALVE	300	1¼"	1½"	12/box	T	V20353TB	V15300SL
V150BL	1½" FP 3-WAY BOTTOM LOAD VALVE	225	1½"	1½"	12/box	T	V20353TB	V15300SL
V200BL	2" FP 3-WAY BOTTOM LOAD VALVE	200	2"	2"	8/box	STRAIGHT	V25353B	V25200BL

3 WAY SIDE LOAD BALL VALVES

FEATURES

- Stainless steel bolts
- Precision molded in fiberglass reinforced polypropylene for additional strength
- Self-aligning ball moves freely against the PTFE seats for smooth operation
- Ball is diamond turned after molding to make it spherically perfect, which provides precise contact between ball and seats
- PTFE self-lubricating stem bushings and seats
- FKM body seals
- Directional flow, right or left. Valve cannot be turned off to stop flow



3 WAY SIDE LOAD VALVES

PART NO	DESCRIPTION	MAX PSI	PIPE SIZE	OPENING THRU BALL	QTY	HANDLE TYPE	REPLACEMENT HANDLE	REPAIR KIT
V075SL	¾" 3-WAY SIDE LOAD VALVE	200	¾"	1"	18/box	STRAIGHT	V10153A	V10300SL
V100SL	1" FP 3-WAY SIDE LOAD VALVE	200	1"	1"	18/box	STRAIGHT	V10153A	V10300SL
V125SL	1¼" 3-WAY SIDE LOAD VALVE	300	1¼"	1½"	12/box	T	V20353TS	V15300SL
V150SL	1½" FP 3-WAY SIDE LOAD VALVE	225	1½"	1½"	12/box	T	V20353TS	V15300SL
V200SL	2" FP 3-WAY SIDE LOAD VALVE	225	2"	2"	8/box	STRAIGHT	V25153SH	V25200BL

VALVES

VALVES

1½" - 2" NOZZLE VALVES

FEATURES

- Lightweight hose end valve for convenient transfer of liquids into drums, tanks etc
- Angled end flange with 8" long polypropylene fill spout
- All stainless steel bolts

REPAIR KIT INCLUDES:

- Ball
- Body gasket
- Thrust washer
- Ball seats
- Upper stem bushing
- Stem o-ring



1½"-2" NOZZLE VALVES								
PART NO	DESCRIPTION	MAX PSI	PIPE SIZE	OPENING THRU BALL	FEMALE NPT	QTY	REPLACEMENT HANDLE	REPAIR KIT
VA150	1½" NOZZLE VALVE WITH 90° ELBOW	225	1½" x 8"	1½"	1½"	12/box	V20152	V20200
VA200	2" NOZZLE VALVE WITH 90° ELBOW	200	2" x 8"	1½"	2"	12/box	V20152	V20200
VA200FP	2" FP NOZZLE VALVE WITH 90° ELBOW	225	2" x 8"	2"	2"	6/box	V25152	V25200



½"-2" SINGLE UNION SPINWELD VALVES					
PART NO	DESCRIPTION	MAX PSI	PIPE SIZE	OPENING THRU BALL	QTY
SUV050FP	½" FULL PORT SINGLE UNION SPINWELD VALVE	300	½"	½"	1
SUV075FP	¾" FULL PORT SINGLE UNION SPINWELD VALVE	300	¾"	¾"	1
SUV100FP	1" FULL PORT SINGLE UNION SPINWELD VALVE	300	1"	1"	1
SUV125FP	1¼" FULL PORT SINGLE UNION SPINWELD VALVE	300	1¼"	1¼"	1
SUV150FP	1½" FULL PORT SINGLE UNION SPINWELD VALVE	300	1½"	1½"	1
SUV200FP	2" FULL PORT SINGLE UNION SPINWELD VALVE	200	2"	2"	1
MSUV100FP	1" MANIFOLD FULL PORT SINGLE UNION SPINWELD VALVE	300		1"	1

½" - 2" SINGLE UNION SPINWELD VALVES

FEATURES

- Precision molded in glass reinforced polypropylene for strength and chemical resistance
- PTFE seats for smooth and proper sealing characteristics
- EPDM O-rings to handle most fertilizers and many chemicals
- Double O-rings in stem area for extra sealing protection
- Interlocking body and end plate to allow easy thread connection when installing valves

1" DISPENSING NOZZLES

FEATURES

- Glass reinforced polypropylene
- 304 stainless steel handle, spring and pin
- FKM rubber parts only
- Resists corrosion

REPAIR KIT INCLUDES:

- Ball
- Body gasket
- Thrust washer
- Ball seats
- Upper stem bushing
- Stem o-ring



1" DISPENSING NOZZLE								
PART NO	DESCRIPTION	MAX PSI	PIPE SIZE	OPENING THRU BALL	FEMALE NPT	QTY	REPLACEMENT HANDLE	REPAIR KIT
VN100	1" DISPENSING NOZZLE	150	1"	N/A	1"	1	VN10253	VN10200
V10161	1" NOZZLE PIPE FOR USE WITH V100, V100FP, UV100FP, SUV100FP	N/A	1"	N/A	1"	1		



½"-2" SINGLE UNION VALVES					
PART NO	DESCRIPTION	MAX PSI	PIPE SIZE	OPENING THRU BALL	QTY
UV050FP	½" FULL PORT SINGLE UNION VALVE	300	½"	¾"	1
UV075FP	¾" FULL PORT SINGLE UNION VALVE	300	¾"	¾"	1
UV100FP	1" FULL PORT SINGLE UNION VALVE	300	1"	1"	1
UV125FP	1¼" FULL PORT SINGLE UNION VALVE	225	1¼"	1¼"	1
UV150FP	1½" FULL PORT SINGLE UNION VALVE	200	1½"	1½"	1
UV200FP	2" FULL PORT SINGLE UNION VALVE	300	2"	2"	1

½" - 2" SINGLE UNION VALVES

FEATURES

- Precision molded in glass reinforced polypropylene for strength and chemical resistance
- PTFE seats for smooth and proper sealing characteristics
- Double O-rings in stem area for extra sealing protection
- Interlocking body and end plate to allow easy thread connection when installing valves



SMALLER

- EVX 2" full port and 3" models are over 35% smaller than the average competitive valve. The 1½", 2" full port and 3" models are also substantially lighter than the average competitive valve.

SMARTER

- EVX offers the latest communication protocols ranging from direct control to CAN/ISO BUS to Bluetooth® wireless technology, while diagnostic options measure and report voltage, temperature, and cycle count to warn of concerns before they become problems.

TOUGHER

- Setting the new standard for electric valve toughness, EVX passes 52 separate durability torture tests including mechanical shock, vibration, extreme temperature, rain/shine, operating pressure, and rigorous longevity tests.

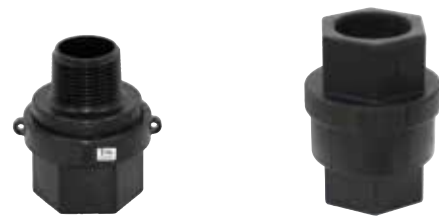
*The Bluetooth® word mark and logos are registered trademarks owned by Bluetooth SIG, Inc.



½" - 3" CHECK VALVES

FEATURES

- One piece construction
- Glass reinforced polypropylene
- 316 stainless steel springs
- EPDM gasket



½"-3" CHECK VALVES					
PART NO	DESCRIPTION	OPENING PRESSURE PSI	MAX PSI	PIPE SIZE	QTY
CV050	½" CHECK VALVE	6-7	300	½"	1
CV100MT	1" MALE X FEMALE NPT CHECK VALVE	1	300	1"	1
CV100	1" CHECK VALVE	1	300	1"	1
CV221	2" FULL PORT CHECK VALVE	>0.5	300	2"	1
CV300	3" FULL PORT CHECK VALVE W/ 5 LB SPRING	1.5	300	3"	1
CV301	3" FULL PORT CHECK VALVE W/½ LB SPRING	>0.5	300	3"	1

¼" - 3" STAINLESS STEEL FULL PORT VALVES

FEATURES

- 316 stainless steel
- Blow out proof stem
- All valves 100% tested by air, under water at 100 PSI in open and closed positions
- Latch locking handle performs in both open and closed positions
- Mounting pad
- PTFE seals and seats



¼"-3" STAINLESS STEEL FULL PORT VALVES						
PART NO	DESCRIPTION	MAX PSI	PIPE SIZE	OPENING THRU BALL	QTY	REPAIR KIT
VSS025	¼" SS FULL PORT VALVE	1000	¼"	¼"	1	VSS02500
VSS038	⅜" SS FULL PORT VALVE	1000	⅜"	⅜"	1	VSS02500
VSS050	½" SS FULL PORT VALVE	1000	½"	½"	1	VSS05200
VSS075	¾" SS FULL PORT VALVE	1000	¾"	¾"	1	VSS07200
VSS100	1" SS FULL PORT VALVE	1000	1"	1"	1	VSS10200
VSS150	1½" SS FULL PORT VALVE	1000	1½"	1½"	1	VSS15200
VSS200	2" SS FULL PORT VALVE	1000	2"	2"	1	VSS25200
VSS300	3" SS FULL PORT VALVE	1000	3"	3"	1	VSS35200

¾" - 1" PINCH VALVES

FEATURES

- Open position allows full unobstructed flow of 50-60 GPM
- Air pressure collapses the internal rubber sleeve to provide positive shut off
- Standard EPDM rubber bladder seal and FKM available
- Female NPT threads
- ATTENTION: Normally an open valve and has a maximum liquid pressure of 70 PSI. Pressure differential = pressure it takes to close valve



¾"-1" PINCH VALVES						
PART NO	DESCRIPTION	GASKET	MAX PSI	PIPE SIZE	PRESSURE DIFFERENTIAL	QTY
PV075	¾" X ¾" PINCH VALVE	EPDM	300	¾"	15 TO 20 PSI	1
PV100	1" X 1" PINCH VALVE	EPDM	300	1"	15 TO 20 PSI	1
PV100V	1" X 1" PINCH VALVE	FKM	300	1"	15 TO 20 PSI	1
PV100-075	1" X ¾" PINCH VALVE	EPDM	300	1" X ¾"	15 TO 20 PSI	1
PV100-075V	1" X ¾" PINCH VALVE	FKM	300	1" X ¾"	15 TO 20 PSI	1
PV100-075B	1" X ¾" FEMALE COUPLER PINCH VALVE	EPDM	300	1" X ¾"	15 TO 20 PSI	1
PV10265	BLADDER	EPDM	N/A			1
PV10265V	BLADDER	FKM	N/A			1



SMALLER / SMARTER / TOUGHER



3/4" - 1 1/2" EVX SERIES

FEATURES

- 12-volt DC operated
- 24-volt available
- Open/closed indicator
- 3/4"-1 1/4" ON/OFF has 3/4 sec response
- 1 1/2" ON/OFF has 1 1/2 sec response
- Regulating has 4 sec response
- Open / Close verification available
- IP68 waterproof
- -20 to 150F (-29 to 65C) operating
- -67 to 221F (-55 to 105C) storage
- Actuator rated to 500,000 cycles
- Valve rated to 50,000 cycles leak-free
- 100G's shock rating
- Additional options available including PWM to CAN/ISO BUS to Bluetooth® wireless technology.

MATERIALS

- 316 stainless steel ball & stem
- Poly ball available
- Stainless steel hardware
- Fiberglass reinforced polypropylene
- PTFE seats
- FKM stem seals

ON/OFF

- Red = +12V DC
- Black = Ground
- White = +12VDC (Open)
0VDC (Close)

4 WIRE REGULATING

- Red = +12V DC (Open)
- White = Ground (Open)
- Black = +12V DC (Close)
- Green = Ground (Close)

*The Bluetooth® word mark and logos are registered trademarks owned by Bluetooth SIG, Inc.



1" - 1 1/2" EVX ON/OFF WELDED ELECTRIC VALVES

PART NO	DESCRIPTION	MAX PSI	PIPE SIZE	OPENING THRU BALL	QTY
EVX100	1" FULL PORT ELECTRIC VALVE	300	1"	1"	1
EVX125	1 1/4" STANDARD PORT ELECTRIC VALVE	300	1 1/4"	1"	1
EVX150	1 1/2" FULL PORT ELECTRIC VALVE	300	1 1/2"	1 1/2"	1

3/4" - 1 1/2" EVX ON/OFF BOLTED ELECTRIC VALVES

PART NO	DESCRIPTION	MAX PSI	PIPE SIZE	OPENING THRU BALL	QTY
EVX071	3/4" FULL PORT ELECTRIC VALVE	300	3/4"	1"	1
EVX101	1" FULL PORT ELECTRIC VALVE	300	1"	1"	1
EVX121	1 1/4" STANDARD PORT ELECTRIC VALVE	300	1 1/4"	1"	1
EVX151	1 1/2" FULL PORT ELECTRIC VALVE	300	1 1/2"	1 1/2"	1

1" - 1 1/2" EVX REGULATING WELDED ELECTRIC VALVES

PART NO	DESCRIPTION	MAX PSI	PIPE SIZE	OPENING THRU BALL	QTY
EVXR100	1" FULL PORT ELECTRIC VALVE	300	1"	1"	1
EVXR125	1 1/4" STANDARD PORT ELECTRIC VALVE	300	1 1/4"	1"	1
EVXR150	1 1/2" FULL PORT ELECTRIC VALVE	300	1 1/2"	1 1/2"	1

3/4" - 1 1/2" EVX REGULATING BOLTED ELECTRIC VALVES

PART NO	DESCRIPTION	MAX PSI	PIPE SIZE	OPENING THRU BALL	QTY
EVXR071	3/4" FULL PORT ELECTRIC VALVE	300	3/4"	1"	1
EVXR101	1" FULL PORT ELECTRIC VALVE	300	1"	1"	1
EVXR121	1 1/4" STANDARD PORT ELECTRIC VALVE	300	1 1/4"	1"	1
EVXR151	1 1/2" FULL PORT ELECTRIC VALVE	300	1 1/2"	1 1/2"	1



2" EVX ON/OFF WELDED ELECTRIC VALVES

PART NO	DESCRIPTION	MAX PSI	PIPE SIZE	OPENING THRU BALL	QTY
EVX200	2" STANDARD PORT ELECTRIC VALVE	300	2"	1 1/2"	1
EVX220	2" FULL PORT ELECTRIC VALVE	250	2"	2"	1

2" EVX ON/OFF BOLTED ELECTRIC VALVES

PART NO	DESCRIPTION	MAX PSI	PIPE SIZE	OPENING THRU BALL	QTY
EVX201	2" STANDARD PORT ELECTRIC VALVE	300	2"	1 1/2"	1
EVX221	2" FULL PORT ELECTRIC VALVE	250	2"	2"	1

2" EVX REGULATING WELDED ELECTRIC VALVES

PART NO	DESCRIPTION	MAX PSI	PIPE SIZE	OPENING THRU BALL	QTY
EVXR200	2" STANDARD PORT ELECTRIC VALVE	300	2"	1 1/2"	1
EVXR220	2" FULL PORT ELECTRIC VALVE	250	2"	2"	1

2" EVX REGULATING BOLTED ELECTRIC VALVES

PART NO	DESCRIPTION	MAX PSI	PIPE SIZE	OPENING THRU BALL	QTY
EVXR201	2" STANDARD PORT ELECTRIC VALVE	300	2"	1 1/2"	1
EVXR221	2" FULL PORT ELECTRIC VALVE	250	2"	2"	1

2" EVX SERIES

FEATURES

- 12-volt DC operated
- 24-volt available
- Open/closed indicator
- ON/OFF has 1 1/2 second response
- Regulating has 4 second response
- Open / Close verification available
- IP68 waterproof
- -20 to 150F (-29 to 65C) operating
- -67 to 221F (-55 to 105C) storage
- Actuator rated to 500,000 cycles
- Valve rated to 50,000 cycles leak-free
- 100G's shock rating

MATERIALS

- 316 stainless steel ball & stem
- Poly ball available
- Stainless steel hardware
- Fiberglass reinforced polypropylene
- PTFE seats
- FKM stem seals

ON/OFF

- Red = +12V DC
- Black = Ground
- White = +12VDC (Open)
0VDC (Close)

4 WIRE REGULATING

- Red = +12V DC (Open)
- White = Ground (Open)
- Black = +12V DC (Close)
- Green = Ground (Close)

3" EVX SERIES

FEATURES

- 12-volt DC operated
- 24-volt available
- Open/closed indicator
- ON/OFF has 3 second response
- Regulating has 4 second response
- Open / Close verification available
- IP68 waterproof
- -20 to 150F (-29 to 65C) operating
- -67 to 221F (-55 to 105C) storage
- Actuator rated to 500,000 cycles
- Valve rated to 50,000 cycles leak-free
- 100G's shock rating
- Additional options available including PWM to CAN/ISO BUS to Bluetooth® wireless technology.

MATERIALS

- 316 stainless steel ball & stem
- Poly ball available
- Stainless steel hardware
- Fiberglass reinforced polypropylene
- Zinc alloy lower actuator housing
- PTFE seats
- FKM stem seals

ON/OFF

- Red = +12V DC
- Black = Ground
- White = +12VDC (Open)
0VDC (Close)

4 WIRE REGULATING

- Red = +12V DC (Open)
- White = Ground (Open)
- Black = +12V DC (Close)
- Green = Ground (Close)



3" EVX ON/OFF ELECTRIC VALVES

PART NO	DESCRIPTION	MAX PSI	PIPE SIZE	OPENING THRU BALL	QTY
EVX300	3" FULL PORT ELECTRIC VALVE	150	3"	3"	1

3" EVX REGULATING ELECTRIC VALVES

PART NO	DESCRIPTION	MAX PSI	PIPE SIZE	OPENING THRU BALL	QTY
EVXR300	3" FULL PORT ELECTRIC VALVE	150	3"	3"	1



3/4"-2" EVX BOLTED BOTTOM LOAD ELECTRIC VALVES

PART NO	DESCRIPTION	MAX PSI	PIPE SIZE	OPENING THRU BALL	QTY
EVX075BL	3/4" FULL PORT BOTTOM LOAD ELECTRIC VALVE	300	3/4"	1"	1
EVX100BL	1" FULL PORT BOTTOM LOAD ELECTRIC VALVE	300	1"	1"	1
EVX125BL	1 1/4" FULL PORT SIDE LOAD ELECTRIC VALVE	250	1 1/4"	1"	1
EVX150BL	1 1/2" FULL PORT SIDE LOAD ELECTRIC VALVE	250	1 1/2"	1 1/2"	1
EVX200BL	2" STANDARD PORT BOTTOM LOAD ELECTRIC VALVE	250	2"	1 1/2"	1
EVX220BL	2" FULL PORT BOTTOM LOAD ELECTRIC VALVE	150	2"	2"	1

3/4"-2" EVX BOLTED SIDE LOAD ELECTRIC VALVES

PART NO	DESCRIPTION	MAX PSI	PIPE SIZE	OPENING THRU BALL	QTY
EVX075SL	3/4" FULL PORT SIDE LOAD ELECTRIC VALVE	300	3/4"	1"	1
EVX100SL	1" FULL PORT SIDE LOAD ELECTRIC VALVE	300	1"	1"	1
EVX125SL	1 1/4" FULL PORT SIDE LOAD ELECTRIC VALVE	250	1 1/4"	1"	1
EVX150SL	1 1/2" FULL PORT SIDE LOAD ELECTRIC VALVE	250	1 1/2"	1 1/2"	1
EVX200SL	2" STANDARD PORT SIDE LOAD ELECTRIC VALVE	250	2"	1 1/2"	1
EVX220SL	2" FULL PORT SIDE LOAD ELECTRIC VALVE	150	2"	2"	1

3/4"-2" EVX BOLTED BOTTOM LOAD REGULATING ELECTRIC VALVES

PART NO	DESCRIPTION	MAX PSI	PIPE SIZE	OPENING THRU BALL	QTY
EVXR075BL	3/4" FULL PORT BOTTOM LOAD ELECTRIC VALVE	300	3/4"	1"	1
EVXR100BL	1" FULL PORT BOTTOM LOAD ELECTRIC VALVE	300	1"	1"	1
EVXR125BL	1 1/4" FULL PORT SIDE LOAD ELECTRIC VALVE	300	1 1/4"	1"	1
EVXR150BL	1 1/2" FULL PORT SIDE LOAD ELECTRIC VALVE	300	1 1/2"	1 1/2"	1
EVXR200BL	2" STANDARD PORT BOTTOM LOAD ELECTRIC VALVE	250	2"	1 1/2"	1
EVXR220BL	2" FULL PORT BOTTOM LOAD ELECTRIC VALVE	150	2"	2"	1

3/4"-2" EVX BOLTED SIDE LOAD REGULATING ELECTRIC VALVES

PART NO	DESCRIPTION	MAX PSI	PIPE SIZE	OPENING THRU BALL	QTY
EVXR075SL	3/4" FULL PORT SIDE LOAD ELECTRIC VALVE	300	3/4"	1"	1
EVXR100SL	1" FULL PORT SIDE LOAD ELECTRIC VALVE	300	1"	1"	1
EVXR125SL	1 1/4" FULL PORT SIDE LOAD ELECTRIC VALVE	300	1 1/4"	1"	1
EVXR150SL	1 1/2" FULL PORT SIDE LOAD ELECTRIC VALVE	300	1 1/2"	1 1/2"	1
EVXR200SL	2" STANDARD PORT SIDE LOAD ELECTRIC VALVE	250	2"	1 1/2"	1
EVXR220SL	2" FULL PORT SIDE LOAD ELECTRIC VALVE	150	2"	2"	1

3/4"-2" EVX SERIES BOTTOM & SIDE LOAD VALVES

FEATURES

- 12-volt DC operated
- 24-volt available
- Open/closed indicator
- 1" & 1 1/4" ON/OFF has 3/4 second response
- 1 1/2" ON/OFF has 1 1/2" second response
- 2" ON/OFF has 1 1/2 second response
- Open / Close verification available
- IP68 waterproof
- -20 to 150F (-29 to 65C) operating
- -67 to 221F (-55 to 105C) storage
- Actuator rated to 500,000 cycles
- Valve rated to 50,000 cycles leak-free
- 100G's shock rating
- These bolted valves have the exact same dimensions as our legacy EV valves.

MATERIALS

- 316 stainless steel ball & stem
- Poly ball available
- Stainless steel hardware
- Fiberglass reinforced polypropylene
- PTFE seats
- FKM stem seals

ON/OFF

- Red = +12V DC
- Black = Ground
- White = +12VDC (Open)
0VDC (Close)

4 WIRE REGULATING

- Red = +12V DC (Open)
- White = Ground (Open)
- Black = +12V DC (Close)
- Green = Ground (Close)

3/8" - 1/2" LEV SERIES

FEATURES

- 12 Volt DC
- Stationary current draw: less than 0.04 amps
- Rotating current draw: less than 0.40 amps
- Stall current: 0.75 amps
- Response time: 1/3 second open to close
- TFM seats
- EPDM seals
- Fiberglass reinforced polypropylene
- Integrated mounting slot
- Standard 3 wire configuration



LEV038

LEV050

3/8" - 1/2" ON/OFF ELECTRIC VALVES

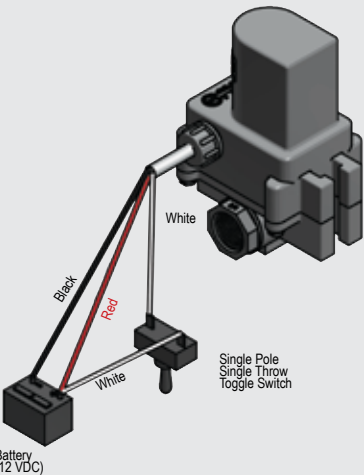
PART NO	DESCRIPTION	MAX PSI	PIPE SIZE	OPENING THRU BALL	QTY
LEV038	3/8" FULL PORT ELECTRIC VALVE	300	3/8"	3/8"	1
LEV050	1/2" ELECTRIC VALVE	300	1/2"	15/32"	1



LEV038PL

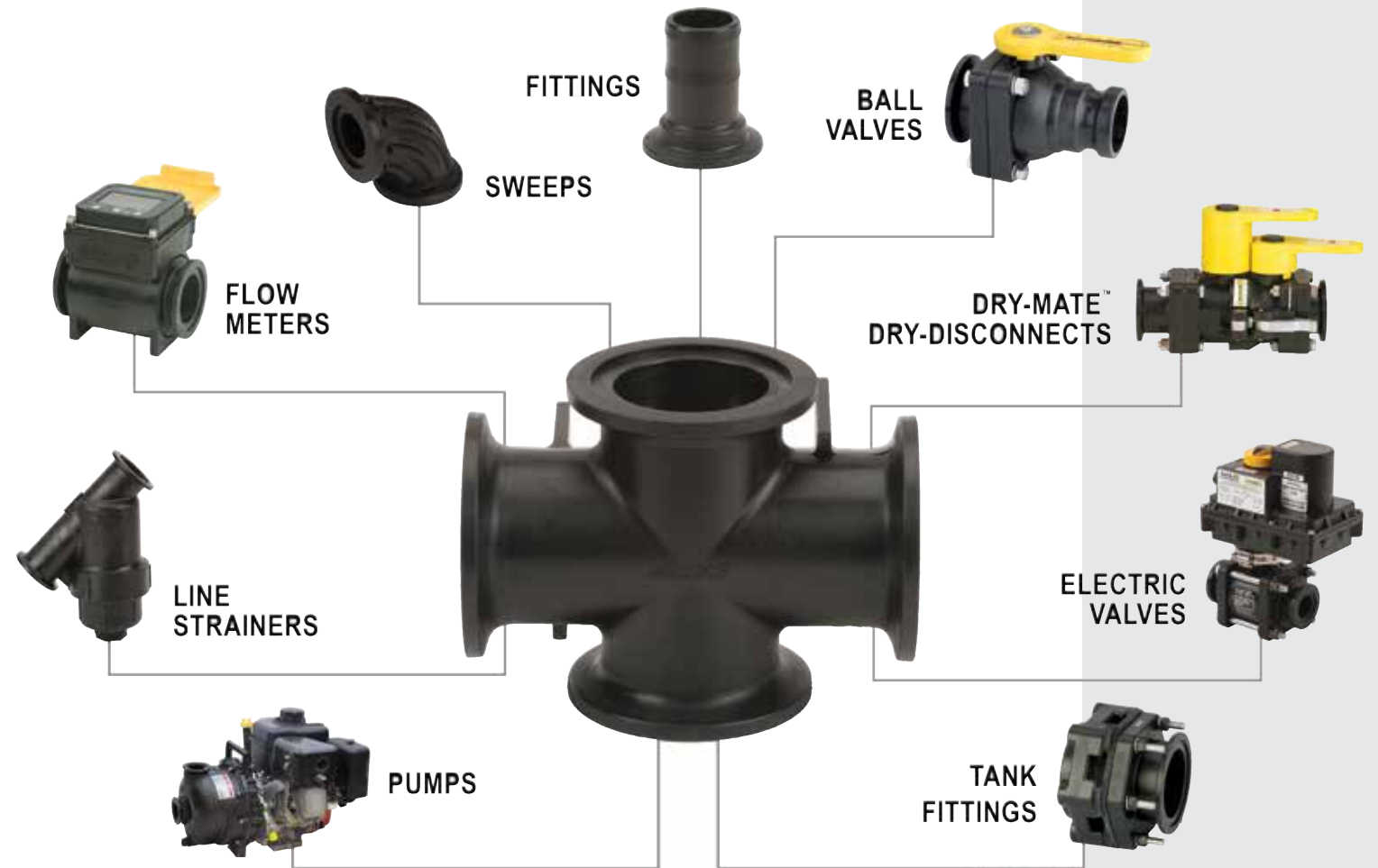
3/8" ELECTRIC VALVES W/ PUSH LOCK

PART NO	DESCRIPTION	MAX PSI	PIPE SIZE	OPENING THRU BALL	QTY
LEV038PL	3/8" FULL PORT ELECTRIC VALVE W/ PUSH LOCK	150	3/8"	3/8"	1



NO THREADS. NO SWEAT.

FLANGE CONNECTIONS FOR EVERY PRODUCT



⚠️ SKIP THE TAPE AND SEALANT

Flange connections utilize clamps instead of threads, facilitating quick and easy assembly and disassembly while ensuring a leak-proof system. Threaded pipe needs tape or sealant, and the slightest imperfection in the pipe or seal can cause a leak. With properly installed flange connections, you won't worry about connection leaks or wait for sealant to cure.

⌚ SAVE TIME. SAVE MONEY.

Time spent unthreading systems and repairing leaks from faulty connections is unproductive and ultimately hits your pocketbook. Banjo's manifold flange systems get you back in the field and out of the shop in no time.

➔ GET RIGHT TO THE SOURCE

With Banjo manifold flange connections, the days of spending hours unhooking entire systems of valves and fittings are over. You can directly isolate and replace the problematic part or replumb sections without disassembling the whole system.

1" MEVX SERIES

2" MEVX SERIES

FEATURES

- 12-volt DC operated
- 24-volt available
- Open/closed indicator
- ON/OFF has 3/4 second response
- Regulating has 4 second response
- Open / Close verification available
- IP68 waterproof
- -20 to 150F (-29 to 65C) operating
- -67 to 221F (-55 to 105C) storage
- Actuator rated to 500,000 cycles
- Valve rated to 50,000 cycles leak-free
- 100G's shock rating

MATERIALS

- 316 stainless steel ball & stem
- Poly ball available
- Stainless steel hardware
- Fiberglass reinforced polypropylene
- PTFE seats
- FKM stem seals

ON/OFF

- Red = +12V DC
- Black = Ground
- White = +12VDC (Open)
0VDC (Close)

4 WIRE REGULATING

- Red = +12V DC (Open)
- White = Ground (Open)
- Black = +12V DC (Close)
- Green = Ground (Close)



FEATURES

- 12-volt DC operated
- 24-volt available
- Open/closed indicator
- ON/OFF has 1 1/2 second response
- Regulating has 4 second response
- Open / Close verification available
- IP68 waterproof
- -20 to 150F (-29 to 65C) operating
- -67 to 221F (-55 to 105C) storage
- Actuator rated to 500,000 cycles
- Valve rated to 50,000 cycles leak-free
- 100G's shock rating

MATERIALS

- 316 stainless steel ball & stem
- Poly ball available
- Stainless steel hardware
- Fiberglass reinforced polypropylene
- PTFE seats
- FKM stem seals

ON/OFF

- Red = +12V DC
- Black = Ground
- White = +12VDC (Open)
0VDC (Close)

4 WIRE REGULATING

- Red = +12V DC (Open)
- White = Ground (Open)
- Black = +12V DC (Close)
- Green = Ground (Close)

1" MEVX ON/OFF WELDED ELECTRIC VALVES

PART NO	DESCRIPTION	MAX PSI	PIPE SIZE	OPENING THRU BALL	QTY
MEVX100	1" FULL PORT ELECTRIC VALVE	300	1"	1"	1

1" MEVX REGULATING WELDED ELECTRIC VALVES

PART NO	DESCRIPTION	MAX PSI	PIPE SIZE	OPENING THRU BALL	QTY
MEVXR100	1" FULL PORT ELECTRIC VALVE	300	1"	1"	1

1" MEVX ON/OFF BOLTED ELECTRIC VALVES

PART NO	DESCRIPTION	MAX PSI	PIPE SIZE	OPENING THRU BALL	QTY
MEVX101	1" FULL PORT ELECTRIC VALVE	300	1"	1"	1

1" MEVX REGULATING BOLTED ELECTRIC VALVES

PART NO	DESCRIPTION	MAX PSI	PIPE SIZE	OPENING THRU BALL	QTY
MEVXR101	1" FULL PORT ELECTRIC VALVE	300	1"	1"	1

2" MEVX ON/OFF WELDED ELECTRIC VALVES

PART NO	DESCRIPTION	MAX PSI	PIPE SIZE	OPENING THRU BALL	QTY
MEVX200	2" STANDARD PORT ELECTRIC VALVE	300	2"	1 1/2"	1
MEVX220	2" FULL PORT ELECTRIC VALVE	250	2"	2"	1

2" MEVX REGULATING WELDED ELECTRIC VALVES

PART NO	DESCRIPTION	MAX PSI	PIPE SIZE	OPENING THRU BALL	QTY
MEVXR200	2" STANDARD PORT ELECTRIC VALVE	300	2"	1 1/2"	1
MEVXR220	2" FULL PORT ELECTRIC VALVE	250	2"	2"	1

2" MEVX ON/OFF BOLTED ELECTRIC VALVES

PART NO	DESCRIPTION	MAX PSI	PIPE SIZE	OPENING THRU BALL	QTY
MEVX201	2" STANDARD PORT ELECTRIC VALVE	250	2"	1 1/2"	1
MEVX221	2" FULL PORT ELECTRIC VALVE	150	2"	2"	1

2" MEVX REGULATING BOLTED ELECTRIC VALVES

PART NO	DESCRIPTION	MAX PSI	PIPE SIZE	OPENING THRU BALL	QTY
MEVXR201	2" STANDARD PORT ELECTRIC VALVE	250	2"	1 1/2"	1
MEVXR221	2" FULL PORT ELECTRIC VALVE	150	2"	2"	1

3" MEVX SERIES

FEATURES

- 12-volt DC operated
- 24-volt available
- Open/closed indicator
- ON/OFF 3" has 3 second response
- Regulating 3" has 4 second response
- Open / Close verification available
- IP68 waterproof
- -20 to 150F (-29 to 65C) operating
- -67 to 221F (-55 to 105C) storage
- Actuator rated to 500,000 cycles
- Valve rated to 50,000 cycles leak-free
- 100G's shock rating
- Additional options available including PWM to CAN/ISO BUS to Bluetooth® wireless technology.

MATERIALS

- 316 stainless steel ball & stem
- Poly ball available
- Stainless steel hardware
- Fiberglass reinforced polypropylene
- Zinc alloy lower actuator housing
- PTFE seats
- FKM stem seals

ON/OFF

- Red = +12V DC
- Black = Ground
- White = +12VDC (Open)
0VDC (Close)

4 WIRE REGULATING

- Red = +12V DC (Open)
- White = Ground (Open)
- Black = +12V DC (Close)
- Green = Ground (Close)



3" MEVX ON/OFF ELECTRIC VALVES

PART NO	DESCRIPTION	MAX PSI	PIPE SIZE	OPENING THRU BALL	QTY
MEVX300	3" FULL PORT ELECTRIC VALVE	150	3"	3"	1

3" MEVX REGULATING ELECTRIC VALVES

PART NO	DESCRIPTION	MAX PSI	PIPE SIZE	OPENING THRU BALL	QTY
MEVXR300	3" FULL PORT ELECTRIC VALVE	150	3"	3"	1

1"- 3" MEVX SERIES BOTTOM & SIDE LOAD VALVES

FEATURES

- 12-volt DC operated
- 24-volt available
- Open/closed indicator
- ON/OFF 1" has ¾ second response
- ON/OFF 2" has 1½ second response
- ON/OFF 3" has 3 second response
- Open / Close verification available
- IP68 waterproof
- -20 to 150F (-29 to 65C) operating
- -67 to 221F (-55 to 105C) storage
- Actuator rated to 500,000 cycles
- Valve rated to 50,000 cycles leak-free
- 100G's shock rating

MATERIALS

- 316 stainless steel ball & stem
- Poly ball available
- Stainless steel hardware
- Fiberglass reinforced polypropylene
- Zinc alloy lower actuator housing (3" only)
- PTFE seats
- FKM stem seals

ON/OFF

- Red = +12V DC
- Black = Ground
- White = +12VDC (Open)
0VDC (Close)

4 WIRE REGULATING

- Red = +12V DC (Open)
- White = Ground (Open)
- Black = +12V DC (Close)
- Green = Ground (Close)



1"-3" MEVX BOTTOM LOAD ELECTRIC VALVES

PART NO	DESCRIPTION	MAX PSI	PIPE SIZE	OPENING THRU BALL	QTY
MEVX100BL	1" FULL PORT MANIFOLD BOTTOM LOAD ELECTRIC VALVE	300	1"	1"	1
MEVX200BL	2" STANDARD PORT MANIFOLD BOTTOM LOAD ELECTRIC VALVE	250	2"	1½"	1
MEVX220BL	2" FULL PORT MANIFOLD BOTTOM LOAD ELECTRIC VALVE	125	2"	2"	1
MEVX300BL	3" FULL PORT MANIFOLD BOTTOM LOAD ELECTRIC VALVE	200	3"	3"	1

1"-2" MEVX SIDE LOAD ELECTRIC VALVES

PART NO	DESCRIPTION	MAX PSI	PIPE SIZE	OPENING THRU BALL	QTY
MEVX100SL	1" FULL PORT MANIFOLD SIDE LOAD ELECTRIC VALVE	300	1"	1"	1
MEVX200SL	2" STANDARD PORT MANIFOLD SIDE LOAD ELECTRIC VALVE	250	2"	1½"	1
MEVX220SL	2" FULL PORT MANIFOLD SIDE LOAD ELECTRIC VALVE	125	2"	2"	1

1"-3" MEVX BOTTOM LOAD REGULATING ELECTRIC VALVES

PART NO	DESCRIPTION	MAX PSI	PIPE SIZE	OPENING THRU BALL	QTY
MEVXR100BL	1" FULL PORT MANIFOLD BOTTOM LOAD ELECTRIC VALVE	300	1"	1"	1
MEVXR200BL	2" STANDARD PORT MANIFOLD BOTTOM LOAD ELECTRIC VALVE	300	2"	1½"	1
MEVXR220BL	2" FULL PORT MANIFOLD BOTTOM LOAD ELECTRIC VALVE	250	2"	2"	1
MEVXR300BL	3" FULL PORT MANIFOLD BOTTOM LOAD ELECTRIC VALVE	150	3"	3"	1

1"-2" MEVX SIDE LOAD REGULATING ELECTRIC VALVES

PART NO	DESCRIPTION	MAX PSI	PIPE SIZE	OPENING THRU BALL	QTY
MEVXR100SL	1" FULL PORT MANIFOLD SIDE LOAD ELECTRIC VALVE	300	1"	1"	1
MEVXR200SL	2" STANDARD PORT MANIFOLD SIDE LOAD ELECTRIC VALVE	300	2"	1½"	1
MEVXR220SL	2" FULL PORT MANIFOLD SIDE LOAD ELECTRIC VALVE	250	2"	2"	1

MANIFOLD FLANGE CONNECTIONS

MEVX BANKED VALVES

FEATURES

- Valve sizes 1"-2" FP
- Number of valves from two to five bank
- Welded or bolted valves available
- Additional options available including PWM to CAN/ISO BUS to Bluetooth® wireless technology.



MEVX ON/OFF WELDED BANKED ELECTRIC VALVES

PART NO	DESCRIPTION	MAX PSI	PIPE SIZE	OPENING THRU BALL	QTY
MEVX102	1" FULL PORT 2 BANK ELECTRIC VALVE	300	1"	1"	1
MEVX103	1" FULL PORT 3 BANK ELECTRIC VALVE	300	1"	1"	1
MEVX104	1" FULL PORT 4 BANK ELECTRIC VALVE	300	1"	1"	1
MEVX105	1" FULL PORT 5 BANK ELECTRIC VALVE	300	1"	1"	1

MEVX ON/OFF BOLTED BANKED ELECTRIC VALVES

PART NO	DESCRIPTION	MAX PSI	PIPE SIZE	OPENING THRU BALL	QTY
MEVX1012	1" FULL PORT 2 BANK ELECTRIC VALVE	300	1"	1"	1
MEVX1013	1" FULL PORT 3 BANK ELECTRIC VALVE	300	1"	1"	1
MEVX1014	1" FULL PORT 4 BANK ELECTRIC VALVE	300	1"	1"	1
MEVX1015	1" FULL PORT 5 BANK ELECTRIC VALVE	300	1"	1"	1

1" LEV ELECTRIC MANIFOLD VALVE

FEATURES

- TFM seats & EPDM seals
- 12-volt DC operated
- Internally fused/automatic reset
- Stationary current draw: less than 0.04 amps
- Rotating current draw: less than 0.40 amps
- Stall current: 0.75 amps
- 1/3 second response time
- Integrated mounting slot
- 3 wire configuration
- Higher torque motor to power through thick liquids and demanding applications. (MLEV100A)
- Reinforced nylon stem more than triples the strength of the standard 1" LEV. (MLEV100A)

ON/OFF

- Red = +12V DC
- Black = Ground
- White = +12VDC (Open)
0VDC (Close)



1" ON/OFF ELECTRIC VALVES

PART NO	DESCRIPTION	MAX PSI	PIPE SIZE	OPENING THRU BALL	QTY
MLEV100	1" MANIFOLD ELECTRIC VALVE	300	1"	1/2"	1
MLEV100A	1" MANIFOLD ELECTRIC VALVE WITH HIGHER TORQUE MOTOR, SS BALL	300	1"	1/2"	1
MLEV100C	1" MANIFOLD ELECTRIC VALVE WITH HIGHER TORQUE MOTOR, SS BALL, 3 WIRE	300	1"	1/2"	1

MANIFOLD FLANGE CONNECTIONS

1" - 3" 4 & 6 BOLTED VALVES

FEATURES

- FKM seals.
- Precision molded polypropylene is reinforced with fiberglass for additional strength
- Self-aligning ball moves freely against the PTFE seats for smooth operation. The valve opens and closes with very little pressure on the handle
- Ball is diamond turned, after molding, to make it spherically perfect, which provides precise contact between ball and seats.
- PTFE self-lubricating stem bushings and seats cannot stick or bind
- Stainless steel bolts

REPAIR KIT INCLUDES:

- Ball
- Body gasket
- Thrust washer
- Ball seats
- Upper stem bushing
- Stem o-ring



MANIFOLD 4 & 6 BOLTED VALVES

PART NO	DESCRIPTION	MAX PSI	PIPE SIZE	OPENING THRU BALL	QTY	REPLACEMENT HANDLE	REPAIR KIT
MV100CF	1" FULL PORT MANIFOLD VALVE	300	1"	1"	24/box	V10153A	V10200
MV200CF	2" STANDARD PORT MANIFOLD VALVE	225	2"	1 1/2"	12/box	V20153	V20200
MV220CF	2" FULL PORT MANIFOLD VALVE	300	2"	2"	8/box	V25153	V25200
MV300	3" STANDARD PORT MANIFOLD VALVE	150	3"	2 1/2"	6/box	V25153	V30200
MV300CF	3" FULL PORT MANIFOLD VALVE	200	3"	3"	6/box	V25153	V35200

2" BOLTED 5 WAY VALVE

FEATURES

- FKM seals
- Precision molded polypropylene is reinforced with fiberglass for additional strength
- Self-aligning ball moves freely against the PTFE seats for smooth operation. The valve opens and closes with very little pressure on the handle
- Ball is diamond turned, after molding, to make it spherically perfect, which provides precise contact between ball and seats.
- PTFE self-lubricating stem bushings and seats cannot stick or bind
- Stainless steel bolts



MANIFOLD BOLTED 5 WAY VALVE

PART NO	DESCRIPTION	MAX PSI	PIPE SIZE	OPENING THRU BALL	QTY	REPAIR KIT
MV225CF	2" FULL PORT MANIFOLD 5 WAY VALVE	100	2"	2"	1	MV225200

2" STUBBY VALVES

FEATURES

- Precision molded polypropylene is reinforced with fiberglass for additional strength.
- Self-aligning ball moves freely against the PTFE seats for smooth operation. The valve opens and closes with very little pressure on the handle.
- Ball is diamond turned, after molding, to make it spherically perfect, which provides precise contact between ball and seats.
- PTFE self-lubricating stem bushings and seats cannot stick or bind.
- Stainless steel bolts.
- Standard size has TFE seals and Full Port size has FKM seals

REPAIR KIT INCLUDES:

- Ball
- Body gasket
- Thrust washer
- Ball seats
- Upper stem bushing
- Stem o-ring



VSM200CF



VSF200CF



MVS220FP



MVSF220FP



MVS220CF



MVSMT220FP

2" MANIFOLD STUBBY VALVES

PART NO	DESCRIPTION	MAX PSI	PIPE SIZE	OPENING THRU BALL	QTY	REPLACEMENT HANDLE	REPAIR KIT
VSM200CF	2" STANDARD PORT MANIFOLD VALVE FLANGE X MALE NPT W/TFE SEALS	150	2"	1½"	24/box	VS20152SH	VS20200
VSF200CF	2" STANDARD PORT MANIFOLD VALVE FLANGE X MALE ADAPTER W/TFE SEALS	100	2"	1½"	24/box	VS20152SH	VS20200
MVS220FP	2" FULL PORT MANIFOLD VALVE FLANGE X FEMALE NPT W/FKM SEALS	300	2"	2"	18/box	VS25153	VS25200
MVSF220FP	2" FULL PORT MANIFOLD VALVE FLANGE X MALE ADAPTER W/FKM SEALS	150	2"	2"	18/box	VS25153	VS25200
MVS220CF	2" FULL PORT MANIFOLD VALVE FLANGE X FLANGE W/FKM SEALS	150	2"	2"	18/box	VS25153	VS25200
MVS222CF	2" FULL PORT MANIFOLD VALVE FLANGE X FLANGE W/EPDM SEALS	150	2"	2"	18/box	VS25153	VS25200
MVSMT220FP	2" FULL PORT MANIFOLD VALVE FLANGE X MALE NPT W/FKM SEALS	225	2"	2"	18/box	VS25153	VS25200

2" FP STUBBY VALVES WITH STAINLESS STEEL

FEATURES

- Precision molded polypropylene is reinforced with fiberglass for additional strength.
- Self-aligning ball moves freely against the PTFE seats for smooth operation. The valve opens and closes with very little pressure on the handle.
- Stainless steel bolts
- Compact design
- FKM seals

REPAIR KIT INCLUDES:

- Ball
- Body gasket
- Thrust washer
- Ball seats
- Upper stem bushing
- Stem o-ring



MVS220HSFP

MVSF220HSFP

MVSMT220HSFP

2" FULL PORT MANIFOLD STUBBY VALVES WITH SS

PART NO	DESCRIPTION	MAX PSI	PIPE SIZE	OPENING THRU BALL	QTY	REPLACEMENT HANDLE	REPAIR KIT
MVS220HSFP	2" FULL PORT MANIFOLD STUBBY VALVE FLANGE X FLANGE WITH SS BALL, STEM & HANDLE	200	2"	2"	1	VS25153SS	VSSH25200
MVSF220HSFP	2" FULL PORT MANIFOLD STUBBY VALVE FLANGE X MALE ADAPTER WITH SS BALL, STEM & HANDLE	150	2"	2"	1	VS25153SS	VSSH25200
MVSMT220HSFP	2" FULL PORT MANIFOLD STUBBY VALVE MALE NPT X FLANGE WITH SS BALL, STEM & HANDLE	200	2"	2"	1	VS25153SS	VSSH25200

2" FP STUBBY STAINLESS STEEL VALVE

FEATURES

- PTFE seals, no elastomers
- Self-aligning ball moves freely against the PTFE seats for smooth operation. The valve opens and closes with very little pressure on the handle
- PTFE self-lubricating stem bushings and seats cannot stick or bind



VSFMT220SS

2" FULL PORT MANIFOLD STUBBY STAINLESS STEEL VALVE

PART NO	DESCRIPTION	MAX PSI	PIPE SIZE	OPENING THRU BALL	QTY	REPLACEMENT HANDLE	REPAIR KIT
VSFMT220SS	2" FULL PORT MANIFOLD STUBBY SS VALVE MALE THREAD X MALE ADAPTER	150	2"	2"	1	VSS20153	VSS25200

3" STUBBY VALVES

FEATURES

- FKM seals.
- Precision molded polypropylene is reinforced with fiberglass for additional strength.
- Self-aligning ball moves freely against the PTFE seats for smooth operation. The valve opens and closes with very little pressure on the handle.
- Ball is diamond turned, after molding, to make it spherically perfect, which provides precise contact between ball and seats.
- PTFE self-lubricating stem bushings and seats cannot stick or bind.
- Stainless steel bolts.

REPAIR KIT INCLUDES:

- Ball
- Body gasket
- Thrust washer
- Ball seats
- Upper stem bushing
- Stem o-ring



3" MANIFOLD STUBBY VALVES							
PART NO	DESCRIPTION	MAX PSI	PIPE SIZE	OPENING THRU BALL	QTY	REPLACEMENT HANDLE	REPAIR KIT
MVSF300	3" STANDARD PORT MANIFOLD VALVE FLANGE X MALE ADAPTER	100	3"	2½"	6/box	V25153	VS30200
MVSF300FP	3" FULL PORT MANIFOLD VALVE FLANGE X MALE ADAPTER	100	3"	3"	6/box	V25153	VS35200
MVSM300	3" STANDARD PORT MANIFOLD VALVE FLANGE X MALE NPT	225	3"	2½"	8/box	V25153	VS30200
MVS300CF	3" STANDARD PORT MANIFOLD VALVE FLANGE X FLANGE	200	3"	2½"	6/box	V25153	VS30200
MVS300CFFP	3" FULL PORT MANIFOLD VALVE FLANGE X FLANGE	150	3"	3"	6/box	V25153	VS35200

3" FP STUBBY VALVES WITH STAINLESS STEEL

FEATURES

- Precision molded polypropylene is reinforced with fiberglass for additional strength.
- Self-aligning ball moves freely against the PTFE seats for smooth operation. The valve opens and closes with very little pressure on the handle.
- Ball is diamond turned, after molding, to make it spherically perfect, which provides precise contact between ball and seats.
- Stainless steel bolts
- Compact design
- FKM seals

REPAIR KIT INCLUDES:

- Ball
- Body gasket
- Thrust washer
- Ball seats
- Upper stem bushing
- Stem o-ring



3" FULL PORT MANIFOLD STUBBY VALVES WITH SS							
PART NO	DESCRIPTION	MAX PSI	PIPE SIZE	OPENING THRU BALL	QTY	REPLACEMENT HANDLE	REPAIR KIT
MVS300HSFP	3" FULL PORT MANIFOLD STUBBY VALVE FLANGE X FLANGE WITH SS BALL, STEM & HANDLE	100	3"	3"	1	VS30153SS	VSSH35200
MVSF300HSFP	3" FULL PORT MANIFOLD STUBBY VALVE FLANGE X MALE ADAPTER WITH SS BALL, STEM & HANDLE	100	3"	3"	1	VS30153SS	VSSH35200
MVSM300HSFP	3" FULL PORT MANIFOLD STUBBY VALVE MALE NPT X FLANGE WITH SS BALL, STEM & HANDLE	200	3"	3"	1	VS30153SS	VSSH35200

3 WAY BOTTOM LOAD BALL VALVES

FEATURES

- Stainless steel bolts
- Precision molded in fiberglass reinforced polypropylene for additional strength
- Self-aligning ball moves freely against the PTFE seats for smooth operation
- Ball is diamond turned after molding to make it spherically perfect, which provides precise contact between ball and seats
- PTFE self-lubricating stem bushings and seats
- FKM body seals
- Directional flow, right or left. Valve can be turned off to stop flow

REPAIR KIT INCLUDES:

- Ball
- Body gasket
- Thrust washer
- Ball seats
- Upper stem bushing
- Stem o-ring



3 WAY BOTTOM LOAD MANIFOLD VALVES								
PART NO	DESCRIPTION	MAX PSI	PIPE SIZE	OPENING THRU BALL	QTY	HANDLE TYPE	REPLACEMENT HANDLE	REPAIR KIT
MV100BL	1" FP 3-WAY BOTTOM LOAD MANIFOLD VALVE	300	1"	1"	18/box	T	V10353TB	MV10300SL
MV200BL	2" SP 3-WAY BOTTOM LOAD MANIFOLD VALVE	225	2"	1½"	12/box	T	V20353TB	MV10300SL
MV220BL	2" FP 3-WAY BOTTOM LOAD MANIFOLD VALVE	150	2"	2"	8/box	STRAIGHT	V25353B	V25200BL
MV300BL	3" FP 3-WAY BOTTOM LOAD MANIFOLD VALVE	150	3"	3"	4/box	STRAIGHT	V25353B	V35200BL

PRESSURE SPIKE VALVES

FEATURES

- FKM seals.
- Precision molded polypropylene is reinforced with fiberglass for additional strength.
- 360° orientation
- Preset pressure spring



MANIFOLD PRESSURE SPIKE VALVES

PART NO	DESCRIPTION	CRACKING PRESSURE	QTY
MPRV100-050	1" X 1" MANIFOLD PRESSURE SPIKE VALVE	300	1
MPRV100-075	1" X 1" MANIFOLD PRESSURE SPIKE VALVE	300	1
MPRV100-100	1" X 1" MANIFOLD PRESSURE SPIKE VALVE	300	1
MPRV100-125	1" X 1" MANIFOLD PRESSURE SPIKE VALVE	300	1
MPRV100-150	1" X 1" MANIFOLD PRESSURE SPIKE VALVE	300	1

3 WAY SIDE LOAD BALL VALVES

FEATURES

- Stainless steel bolts
- Precision molded in fiberglass reinforced polypropylene for additional strength
- Self-aligning ball moves freely against the PTFE seats for smooth operation
- Ball is diamond turned after molding to make it spherically perfect, which provides precise contact between ball and seats
- PTFE self-lubricating stem bushings and seats
- FKM body seals
- Directional flow, right or left. Valve cannot be turned off to stop flow



3 WAY SIDE LOAD MANIFOLD VALVES								
PART NO	DESCRIPTION	MAX PSI	PIPE SIZE	OPENING THRU BALL	QTY	HANDLE TYPE	REPLACEMENT HANDLE	REPAIR KIT
MV100SL	1" FP 3-WAY SIDE LOAD MANIFOLD VALVE	300	1"	1"	18/box	T	V20353TS	MV10300SL
MV200SL	2" SP 3-WAY SIDE LOAD MANIFOLD VALVE	225	2"	1½"	10/box	STRAIGHT	V20153SH	V15300SL
MV220SL	2" FP 3-WAY SIDE LOAD FULL PORT MANIFOLD VALVE	100	2"	2"	8/box	STRAIGHT	V25153SH	V25200BL

DRY-MATE™ DRY-DISCONNECTS

FEATURES

- Easy to use
- Minimal fluid spillage
- Reduces risk of exposure
- Wide range of chemical resistance
- When properly installed and operated, the assembly will not accidentally separate while fluid is flowing; preventing costly mishaps.
- Spillage data: 2"=4ml, 3"=15ml

REPAIR KIT INCLUDES:

- Face seal
- Ball
- Seats
- Body gasket
- Thrust bearings
- Stem bushings



MANIFOLD DRY DISCONNECTS

PART NO	DESCRIPTION	MAX PSI	PIPE SIZE	OPENING THRU BALL	QTY	REPLACEMENT HANDLE	REPAIR KIT
DM200ACF	2" MALE MANIFOLD DRY-MATE WITH FKM SEALS	100	2"	1½"	1	DM20153M	DM20200A
DM200DCF	2" FEMALE MANIFOLD DRY-MATE WITH FKM SEALS	100	2"	1½"	1	DM20153F	DM20200D
DM300ACF	3" MALE MANIFOLD DRY-MATE WITH FKM SEALS	150	3"	3"	1	DM35153M	DM35200
DM300DCF	3" FEMALE MANIFOLD DRY-MATE WITH FKM SEALS	150	3"	3"	1	DM35153F	DM35200

Note: Male and female sold separately

MANIFOLD FLANGE CONNECTIONS

BOOM NOZZLE PIPE ADAPTER

FEATURES

- Eliminates having to thread pipe
- Quick and easy assembly
- No welding necessary
- 360° orientation



BOOM NOZZLE PIPE ADAPTER			
PART NO	DESCRIPTION	MAX PSI	QTY
M100PA	1" FLANGED PIPE ADAPTER	300	1
M100PAC	1" FLANGED PIPE ADAPTER CAP	300	1
M100PAT	1" FLANGED PIPE ADAPTER TEE	300	1

INDUCTORS

FEATURES

- Threaded or manifold ends
- Glass reinforced polypropylene
- Designed for use with a volume pump. Typical volumes (80-240 US GPM) and pressures (26-52 PSI) should be used to operate the inductor.



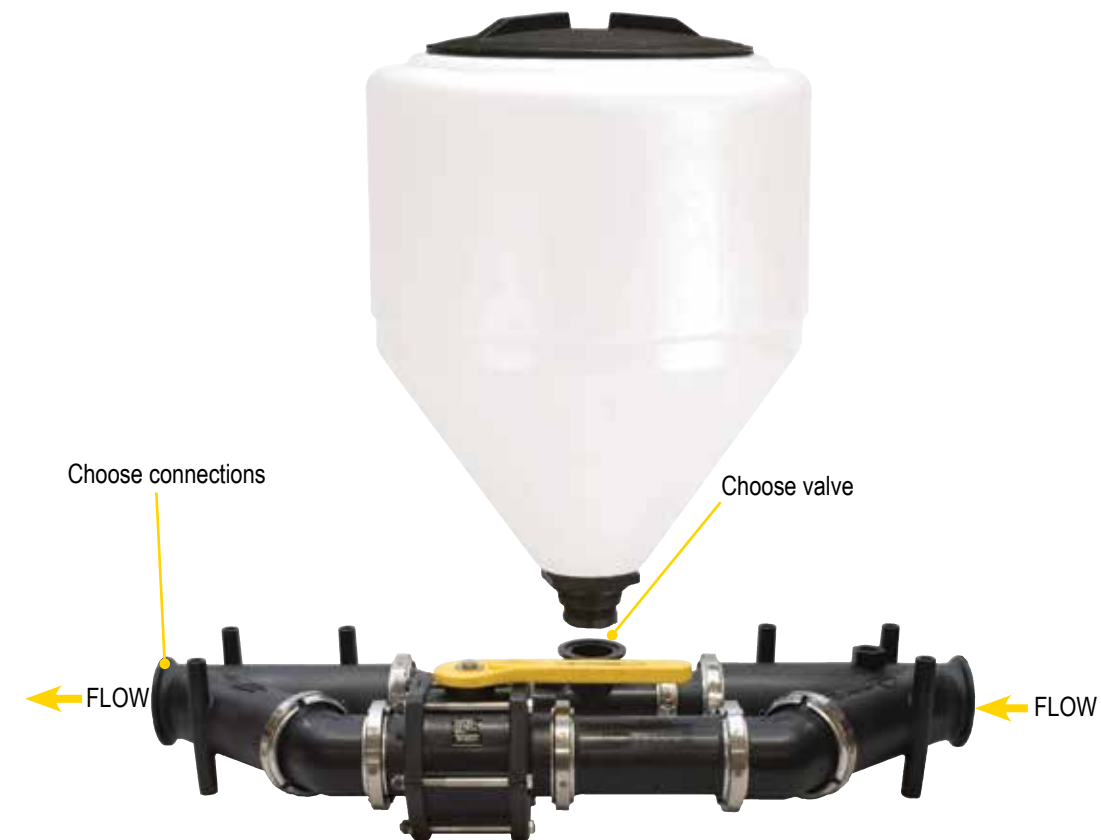
MANIFOLD INDUCTORS					
PART NO	DESCRIPTION	PRESSURE AT PUMP	VOLUME DRAW	OPENING SIZE	QTY
HV200	2" MPT INDUCTOR	225	49 GPM	7/16"	1
MHV200	2" MANIFOLD INDUCTOR WITH 1 1/2" PORT	300	37 GPM	5/16"	1
MHV220A	2" FULL PORT MANIFOLD INDUCTOR	225	49 GPM	9/16"	1

MANIFOLD FLANGE CONNECTIONS

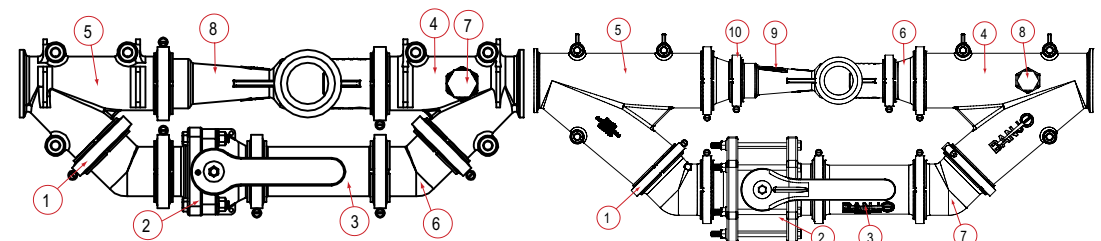
INDUCTOR SYSTEMS

FEATURES

- Installed after pump; suction completely empties inductor tank
- Keeps pump free of chemicals
- Easy assembly/installation with manifold connections found on pages 43-49.
- Choose your connections and valve
- Tank for illustration purposes only, not included



MANIFOLD INDUCTOR SYSTEMS			
PART NO	DESCRIPTION	MAX PSI	QTY
MIS220	2" FULL PORT MANIFOLD INDUCTOR SYSTEM FLANGE X FLANGE ASSEMBLED	225	1
MIS300	3" FULL PORT MANIFOLD INDUCTOR SYSTEM FLANGE X FLANGE ASSEMBLED	150	1



MANIFOLD INDUCTORS				MANIFOLD INDUCTORS			
ITEM	PART NO	DESCRIPTION	QTY	ITEM	PART NO	DESCRIPTION	QTY
1	FC220	220 SERIES WORM SCREW CLAMP	10/BAG	1	FC300	300 SERIES WORM SCREW CLAMP	7
2	MVS220CF	2" FP FLANGE X 2" FP FLANGE	1	2	MV301CF	3" FP FLANGE X 3" FP FLANGE	1
3	M220CPG6	2" X 2" FULL PORT FLANGE X 6"	1	3	M300CPG7	3" X 3" FULL PORT FLANGE X 7"	1
4	M220YG45	2" FULL PORT 45° Y FLANGE W/ 3/4" GAUGE PORT*	1	4	M300YG45	3" FULL PORT 45° Y FLANGE W/ 3/4" GAUGE PORT*	1
5	M220Y45	2" FULL PORT 45° Y FLANGE	1	5	M300Y45	3" FULL PORT 45° Y FLANGE	1
6	M220CPG45	2" FULL PORT 45° COUPLING	2	6	M300220CPG	3" X 2" FULL PORT REDUCER FLANGE	1
7	PLUG075	3/4" PIPE PLUG	1	7	M300CPG45	3" FULL PORT 45° COUPLING	2
8	MHV220A	2" FULL PORT POLY VENTURI	1	8	PLUG075	3/4" PIPE PLUG	1
N/S	M221G	2" FULL PORT EPDM MANIFOLD GASKET WITH RIB	7	9	MHV220A	2" FULL PORT POLY VENTURI	1
				10	FC220	220 SERIES WORM SCREW CLAMP	3
				N/S	M221G	2" FULL PORT EPDM MANIFOLD GASKET WITH RIB	2
				N/S	M301G	3" EPDM MANIFOLD GASKET WITH RIB	7

*Note: Gauge not included.

FLOW METERS

FEATURES

- Displays overall total volume and batch total volume
- Flow rate allows for Gallons or Liters per minute
- The display reads 6 digits for rate, 8 digits for total and 1 decimal place reading in tenths
- Magnetic style meter with stainless steel electrodes
- Self calibrating meter
- Measures water and most conductive liquids
- Easy to change six (6) AA batteries
- No moving parts to fail during use
- Glass-reinforced polypropylene
- Temperature range from 0°F to 150°F
- ±1% of reading (between 10% and 100% of maximum flow)
- ±3% of reading (between cutoff and 10% of maximum flow)
- There are 3 photoeyes located on the face of the flow meter. These are not push buttons; to activate you must hold your finger over the photoeye for 2-4 seconds
- Flow meters will not read petroleum based liquids
- It is recommended to have at least 10X the diameter of straight pipe before and after the flow meter



FLOW METERS				
PART NO	DESCRIPTION	MAX PSI	GPM	QTY
FM100	1" FULL PORT FEMALE NPT FLOW METER	200	110 GPM	1
MFM100	1" FULL PORT MANIFOLD FLOW METER	200	110 GPM	1
MFM220	2" FULL PORT MANIFOLD FLOW METER	200	300 GPM	1
MFM300	3" FULL PORT FLOW METER	200	670 GPM	1

SWEEPS

FEATURES

- Direct replacement for standard 90° flanged couplings
- Positive seals
- Quick and easy assembly
- Easy on/off hose connections
- 360° orientation
- Improved flow for max GPM



SWEEPS			
PART NO	DESCRIPTION	MAX PSI	QTY
M100125BRBSWP90	1" FLANGE X 1 1/4" HOSE BARB SWEEP	300	1
M100BRBSWP90	1" FLANGE X HOSE BARB SWEEP	300	1
M100BRBSWPG90	1" FULL PORT FLANGE X 1" HOSE BARB SWEEP W/ 1/4" GAUGE PORT	300	10/BAG
M100SWP90	1" FLANGE X FLANGE SWEEP	300	1
M100SWPG90	1" FLANGE X FLANGE SWEEP W/ 1/4" GAUGE PORT	300	10/BAG
M200SWP90	2" FLANGE X FLANGE SWEEP	300	1
M220200SWP90	2" FULL PORT FLANGE X 2" FLANGE SWEEP	300	1
M220ASWP90	2" FULL PORT FLANGE X MALE ADAPTER SWEEP	200	1
M220BRBSWP90	2" FULL PORT FLANGE X HOSE BARB SWEEP	300	1
M220MPTSWP90	2" FULL PORT FLANGE X MALE NPT THREAD SWEEP	300	1
M220SWP90	2" FULL PORT FLANGE X FLANGE SWEEP	300	1
M220SWPG90	2" FULL PORT FLANGE X FLANGE SWEEP W/ 1/4" GAUGE PORT	300	1
M300ASWP90	3" FLANGE X MALE ADAPTER SWEEP	100	1
M300BRBSWP90	3" FLANGE X HOSE BARB SWEEP	225	1
M300MPTSWP90	3" FLANGE X MALE NPT THREAD SWEEP	200	1
M300SWP90	3" FLANGE X FLANGE SWEEP	200	1
M300SWPG90	3" FLANGE X FLANGE SWEEP W/ 1/4" GAUGE PORT	200	1
M300220SWP90	3" FULL PORT FLANGE X 2" FULL PORT FLANGE SWEEP	300	1

MANIFOLD FLANGE CONNECTIONS

FITTINGS

FEATURES

- Quick and easy assembly
- Positive seals
- Easy on/off hose connections
- 360° orientation
- Where noted, parts must be ordered in bag quantities.



SWIVEL			
PART NO	DESCRIPTION	MAX PSI	QTY
MSW220	2" FULL PORT MANIFOLD FLANGE SWIVEL	200	1

CHECK VALVES				
PART NO	DESCRIPTION	OPENING PRESSURE PSI	MAX PSI	QTY
MCV100	1" FLANGED CHECK VALVE	1	300	1
MCV112	1" FLANGED CHECK VALVE W/12 LB SPRING	12	300	1
MCV200	2" FLANGED CHECK VALVE	0.5	300	1
MCV221	2" FULL PORT FLANGED CHECK VALVE	>0.5	200	1
MCV300	3" FLANGED CHECK VALVE W/5 LB SPRING	1.5	200	1
MCV301	3" FLANGED CHECK VALVE W/1/2 LB SPRING	>0.5	200	1

PVC GLUE SOCKET			
PART NO	DESCRIPTION	MAX PSI	QTY
M101GSA	1" FLANGE X 1" PVC GLUE SOCKET FITTING	300	1
M221GSA	2" FULL PORT FLANGE X 2" PVC GLUE SOCKET FITTING	300	1
M301GSA	3" FULL PORT FLANGE X 3" PVC GLUE SOCKET FITTING	300	1

316 SS SOCKET WELD			
PART NO	DESCRIPTION	MAX PSI	QTY
M100SWFSS	1" FLANGE X 1" SOCKET WELD FITTING	300	1
M104SWFSS	1" FLANGE X 1" SOCKET WELD FITTINGS X 4"	300	1
M200SWFSS	2" FLANGE X 2" SOCKET WELD FITTING	300	1
M220SWFSS	2" FULL PORT FLANGE X 2" SOCKET WELD FITTING	300	1
M220375SWFSS	2" FULL PORT FLANGE X 2" SOCKET WELD FITTING X 3/4"	300	1
M300SWFSS	3" FLANGE X 3" SOCKET WELD FITTING	300	1
M300375SWFSS	3" FLANGE X 3" SOCKET WELD FITTING X 3/4"	300	1

COUPLINGS			
PART NO	DESCRIPTION	MAX PSI	QTY
M100CPG	1" X 1" FLANGE X 2 1/2" LONG	300	10/BAG
M200CPG	2" X 2" FLANGE X 4 1/2" LONG	300	10/BAG
M220CPG	2" X 2" FULL PORT FLANGE X 2 31/32" LONG	300	10/BAG
M220CPG3G	2" X 2" FULL PORT FLANGE X 3" LONG WITH 1/2" GAUGE PORT	225	1
M220CPG6	2" X 2" FULL PORT FLANGE X 6" LONG	300	1
M300CPG	3" X 3" FULL PORT FLANGE X 4" LONG	200	1
M300CPG7	3" X 3" FULL PORT FLANGE X 7" LONG	225	1
M300CPG12	3" X 3" FULL PORT FLANGE X 12" LONG	150	1

45° COUPLINGS			
PART NO	DESCRIPTION	MAX PSI	QTY
M100CPG45	1" X 1" 45° FLANGE	300	10/BAG
M200CPG45	2" X 2" 45° FLANGE	300	10/BAG
M220CPG45	2" X 2" FULL PORT 45° FLANGE	225	10/BAG
M300CPG45	3" X 3" FULL PORT 45° FLANGE	225	1

MANIFOLD FLANGE CONNECTIONS

FITTINGS

FEATURES

- Quick and easy assembly
- Positive seals
- Easy on/off hose connections
- 360° orientation
- Where noted, parts must be ordered in bag quantities



90° COUPLINGS			
PART NO	DESCRIPTION	MAX PSI	QTY
M100CPG90	1" X 1" 90° FLANGE	300	10/BAG
M200CPG90	2" X 2" 90° FLANGE	300	1
M200CPG90SH	2" X 2" 90° SHORT FLANGE	300	10/BAG
M220CPG90	2" X 2" 90° FULL PORT FLANGE	200	10/BAG
M300CPG90	3" X 3" 90° FULL PORT FLANGE	200	1

45° Y FLANGED COUPLINGS			
PART NO	DESCRIPTION	MAX PSI	QTY
M200YG45	2" FULL PORT 45° Y FLANGE	300	1
M220Y45	2" FULL PORT 45° Y FLANGE	300	1
M220YG45	2" FULL PORT 45° Y FLANGE W/ 1/4" GAUGE PORT	225	1
M300Y45	3" FULL PORT 45° Y FLANGE	200	1
M300YG45	3" FULL PORT 45° Y FLANGE W/ 1/4" GAUGE PORT	200	1

3" MANIFOLD WYE			
PART NO	DESCRIPTION	MAX PSI	QTY
M300220WYCG	M300 X M220 X M220 X M220 FULL PORT FLANGE WYE W/ 1/4" GAUGE PORT	300	1

REDUCER COUPLINGS			
PART NO	DESCRIPTION	MAX PSI	QTY
M200100CPG	2" X 1" REDUCER FLANGE	300	10/BAG
M220100CPG	2" FULL PORT X 1" REDUCER FLANGE	225	10/BAG
M220200CPG	2" FULL PORT X 2" REDUCER FLANGE	225	10/BAG
M300200CPG	3" X 2" REDUCER FLANGE	225	1
M300220CPG	3" X 2" FULL PORT REDUCER FLANGE	225	1

TEES			
PART NO	DESCRIPTION	MAX PSI	QTY
M100TEE	1" FLANGED TEE	300	10/BAG
M101TEE	1" FLANGED TEE LONG	300	10/BAG
M200100TEE	2" X 1" FLANGED TEE	300	1
M200TEE	2" FLANGED TEE	300	1
M201TEEV075	2" FLANGED TEE W/ 3/4" INDUCTOR	200	1
M220100TEE	2" FULL PORT FLANGED TEE X 1" FLANGED TEE	225	1
M220200TEE	2" FULL PORT FLANGED TEE X 2" FLANGED TEE	300	1
M220TEE	2" FULL PORT FLANGED TEE	225	1
M300TEE	3" FLANGED TEE	225	1

U BOLTS			
PART NO	DESCRIPTION	MAX PSI	QTY
UB100	100 SERIES MOUNTING U BOLT	N/A	1
UB202	2 SERIES MOUNTING U BOLT	N/A	1
UB220	220 SERIES MOUNTING U BOLT	N/A	1

FITTINGS

FEATURES

- Quick and easy assembly
- Positive seals
- Easy on/off hose connections
- 360° orientation
- Where noted, parts must be ordered in bag quantities.



SS BUTT WELD ADAPTER			
PART NO	DESCRIPTION	MAX PSI	QTY
M220BWASS	2" FULL PORT STAINLESS STEEL BUTT WELD ADAPTER	300	1



FEMALE NPT THREAD			
PART NO	DESCRIPTION	MAX PSI	QTY
M100050FPT	1" FLANGE X 1/2" FEMALE THREAD	300	10/BAG
M100075FPT	1" FLANGE X 3/4" FEMALE THREAD	300	10/BAG
M100FPT	1" FLANGE X 1" FEMALE THREAD	300	10/BAG
M200FPT	2" FLANGE X 2" FEMALE THREAD	300	10/BAG
M200150FPT	2" FLANGE X 1 1/2" FEMALE THREAD	300	1
M220FPT	2" FULL PORT FLANGE X 2" FEMALE THREAD	300	10/BAG
M300FPT	3" FLANGE X 3" FEMALE THREAD	200	1



MALE THREAD			
PART NO	DESCRIPTION	MAX PSI	QTY
M100075MPT	1" FLANGE X 3/4" MALE THREAD	300	10/BAG
M100MPT	1" FLANGE X 1" MALE THREAD	300	10/BAG
M100125MPT	1" FLANGE X 1 1/4" MALE THREAD	300	10/BAG
M200125MPT	2" FLANGE X 1 1/4" MALE THREAD	300	10/BAG
M200150MPT	2" FLANGE X 1 1/2" MALE THREAD	300	10/BAG
M200MPT	2" FLANGE X 2" MALE THREAD	300	10/BAG
M220MPT	2" FULL PORT FLANGE X 2" MALE THREAD	300	10/BAG
M300MPT	3" FLANGE X 3" MALE THREAD	300	1



316 SS MALE THREAD			
PART NO	DESCRIPTION	MAX PSI	QTY
M100MPTSS	1" FLANGE X 1" MALE THREAD	300	1
M200125MPTSS	2" FLANGE X 1 1/4" MALE THREAD	300	1
M200150MPTSS	2" FLANGE X 1 1/2" MALE THREAD	300	1
M200MPTSS	2" FLANGE X 2" MALE THREAD	300	1
M220150MPTSS	2" FULL PORT FLANGE X 1 1/2" MALE THREAD	300	1
M220MPTSS	2" FULL PORT FLANGE X 2" MALE THREAD	300	1
M300220MPTSS	3" FLANGE X 2" FULL PORT MALE THREAD	300	1
M300MPTSS	3" FLANGE X 3" MALE THREAD	300	1

FITTINGS

FEATURES

- Quick and easy assembly
- Positive seals
- Easy on/off hose connections
- 360° orientation
- Where noted, parts must be ordered in bag quantities



PLUGS			
PART NO	DESCRIPTION	MAX PSI	QTY
M100PLG	1" FLANGE PLUG	300	10/BAG
M200PLG	2" FLANGE PLUG	300	10/BAG
M220PLG	2" FULL PORT FLANGE PLUG	300	10/BAG
M300PLG	3" FULL PORT FLANGE PLUG	225	10/BAG
M100PLG025	1" FLANGE PLUG WITH 1/4" FPT	300	10/BAG
M100PLG050	1" FLANGE PLUG WITH 1/2" FPT	300	10/BAG
M200PLG025	2" FLANGE PLUG WITH 1/4" FPT	225	10/BAG
M200PLG038	2" FLANGE PLUG WITH 3/8" FPT	300	10/BAG
M200PLG050	2" FLANGE PLUG WITH 1/2" FPT	225	10/BAG
M200PLG075	2" FLANGE PLUG WITH 3/4" FPT	225	10/BAG
M200PLG100	2" FLANGE PLUG WITH 1" FPT	225	10/BAG
M220PLG038	2" FULL PORT FLANGE PLUG WITH 3/8" FPT	150	10/BAG
M220PLG075	2" FULL PORT FLANGE PLUG WITH 3/4" FPT	225	10/BAG
M300PLG075	3" FLANGE PLUG WITH 3/4" FPT	200	10/BAG
M300PLG100	3" FLANGE PLUG WITH 1" FPT	200	1



FEMALE COUPLER			
PART NO	DESCRIPTION	MAX PSI	QTY
M220D	2" FULL PORT FLANGE X 2" FEMALE COUPLER	225	1
M303D	3" FULL PORT FLANGE X 3" FEMALE COUPLER WITH 3 ARMS	225	1



MALE ADAPTER			
PART NO	DESCRIPTION	MAX PSI	QTY
M100A	1" FLANGE X 1" MALE ADAPTER	300	10/BAG
M200A	2" FLANGE X 2" MALE ADAPTER	300	10/BAG
M220A	2" FULL PORT FLANGE X 2" MALE ADAPTER	225	10/BAG
M300A	3" FULL PORT FLANGE X 3" MALE ADAPTER	100	1



CROSS			
PART NO	DESCRIPTION	MAX PSI	QTY
M100CR	1" FLANGED CROSS	300	10/BAG
M200CR	2" FLANGED CROSS	300	1
M220CR	2" FULL PORT FLANGED CROSS	200	1
M300CR	3" FLANGED CROSS	125	1



MANIFOLD ANSI FLANGE			
PART NO	DESCRIPTION	MAX PSI	QTY
MAF220	2" FP MANIFOLD FLANGE X ANSI FLANGE	150	1
MAF300	3" FP MANIFOLD FLANGE X ANSI FLANGE	150	1



MANIFOLD FLANGE CONNECTIONS

FITTINGS

FEATURES

- Quick and easy assembly
- Positive seals
- Easy on/off hose connections
- 360° orientation
- Where noted, parts must be ordered in bag quantities.



HOSE BARB			
PART NO	DESCRIPTION	MAX PSI	QTY
M100075BRB	1" FLANGE X 3/4" HOSE BARB	300	10/BAG
M100BRB	1" FLANGE X 1" HOSE BARB	300	10/BAG
M100125BRB	1" FLANGE X 1 1/4" HOSE BARB	300	10/BAG
M200100BRB	2" FLANGE X 1" HOSE BARB	300	10/BAG
M200125BRB	2" FLANGE X 1 1/4" HOSE BARB	300	10/BAG
M200150BRB	2" FLANGE X 1 1/2" HOSE BARB	300	10/BAG
M200BRB	2" FLANGE X 2" HOSE BARB	300	10/BAG
M220100BRB	2" FULL PORT FLANGE X 1" HOSE BARB	300	10/BAG
M220125BRB	2" FULL PORT FLANGE X 1 1/4" HOSE BARB	300	10/BAG
M220150BRB	2" FULL PORT FLANGE X 1 1/2" HOSE BARB	300	10/BAG
M220BRB	2" FULL PORT FLANGE X 2" HOSE BARB	300	10/BAG
M300220BRB	3" FLANGE X 2" FULL PORT HOSE BARB	125	1
M300BRB	3" FLANGE X 3" HOSE BARB	200	1



90° HOSE BARB ELBOW			
PART NO	DESCRIPTION	MAX PSI	QTY
M100075BRB90	1" FLANGE X 3/4" 90° HOSE BARB	300	10/BAG
M100BRB90	1" FLANGE X 1" 90° HOSE BARB	300	10/BAG
M100125BRB90	1" FLANGE X 1 1/4" 90° HOSE BARB	300	10/BAG
M100150BRB90	1" FLANGE X 1 1/2" 90° HOSE BARB	300	10/BAG
M200100BRB90	2" FLANGE X 1" 90° HOSE BARB	300	10/BAG
M200125BRB90	2" FLANGE X 1 1/4" 90° HOSE BARB	300	10/BAG
M200150BRB90	2" FLANGE X 1 1/2" 90° HOSE BARB	300	10/BAG
M200BRB90	2" FLANGE X 2" 90° HOSE BARB	300	1
M220150BRB90	2" FULL PORT FLANGE X 1 1/2" 90° HOSE BARB	300	1
M220BRB90	2" FULL PORT FLANGE X 2" 90° HOSE BARB	300	1
M300220BRB90	3" FLANGE X 2" 90° FULL PORT HOSE BARB	300	1
M300BRB90	3" FLANGE X 3" 90° HOSE BARB	150	1



45° HOSE BARB ELBOW			
PART NO	DESCRIPTION	MAX PSI	QTY
M100BRB45	1" FLANGE X 1" 45° HOSE BARB ELBOW	300	10/BAG
M200BRB45	2" FLANGE X 2" 45° HOSE BARB ELBOW	300	10/BAG
M200125BRB45	2" FLANGE X 1 1/4" 45° HOSE BARB ELBOW	300	1
M200150BRB45	2" FLANGE X 1 1/2" 45° HOSE BARB ELBOW	300	10/BAG
M220BRB45	2" FULL PORT FLANGE X 2" 45° HOSE BARB ELBOW	300	10/BAG
M300BRB45	3" FLANGE X 3" 45° HOSE BARB ELBOW	150	1



HOSE BARB TEE			
PART NO	DESCRIPTION	MAX PSI	QTY
M100100HBT	1" FLANGE X 1" HOSE BARB TEE	300	10/BAG
M100125HBT	1" FLANGE X 1 1/4" HOSE BARB TEE	300	10/BAG
M220150HBT	2" FULL PORT FLANGE X 1 1/2" HOSE BARB TEE	300	1
M220200HBT	2" FULL PORT FLANGE X 2" HOSE BARB TEE	300	1
M300200HBT	3" FLANGE X 3" HOSE BARB X 2" HOSE BARB TEE	150	1
M300300HBT	3" FLANGE X 3" HOSE BARB TEE	150	1

MANIFOLD FLANGE CONNECTIONS

FITTINGS

FEATURES

- Quick and easy assembly
- Positive seals
- Easy on/off hose connections
- 360° orientation
- Where noted, parts must be ordered in bag quantities



BOLTED FLANGE CLAMPS			
PART NO	DESCRIPTION	TORQUE	QTY
FC220B	2" FULL PORT BOLTED FLANGE CLAMP	150 IN/LBS	1
FC300B	3" BOLTED FLANGE CLAMP	150 IN/LBS	1

T-BOLT FLANGE CLAMPS			
PART NO	DESCRIPTION	TORQUE	QTY
FC220TB	2" FULL PORT HI-TORQUE T-BOLT FLANGE CLAMP	100 IN/LBS	10/BAG
FC300TB	3" FULL PORT HI-TORQUE T-BOLT FLANGE CLAMP	100 IN/LBS	10/BAG

FLANGE CLAMPS			
PART NO	DESCRIPTION	TORQUE	QTY
FC100	100 SERIES WORM SCREW CLAMP	50-60 IN/LBS	10/BAG
FC200	200 SERIES WORM SCREW CLAMP	90-100 IN/LBS	10/BAG
FC220	220 SERIES WORM SCREW CLAMP	90-100 IN/LBS	10/BAG
FC300	300 SERIES WORM SCREW CLAMP	90-100 IN/LBS	10/BAG

Rib keeps gasket in place during assembly.



GASKETS			
PART NO	DESCRIPTION	GASKET MATERIAL	QTY
M100G	100 SERIES MANIFOLD GASKET	EPDM	1
M101G	100 SERIES MANIFOLD GASKET WITH RIB	EPDM	1
M102G	1" & 1 1/4" SKIRTED FLANGE GASKET	EPDM	1
M100GV	100 SERIES GASKET	FKM	1
150G	200 SERIES GASKET	EPDM	1
150GV	200 SERIES GASKET	FKM	1
200G	220 SERIES FULL PORT GASKET	EPDM	1
200GV	220 SERIES FULL PORT GASKET	FKM	1
M201G	200 SERIES MANIFOLD GASKET WITH RIB	EPDM	1
M202G	1 1/2" SKIRTED FLANGE GASKET	EPDM	1
M221G	220 SERIES FULL PORT MANIFOLD GASKET WITH RIB	EPDM	1
M222G	2" SKIRTED FLANGE GASKET	EPDM	1
300G	300 SERIES GASKET	EPDM	1
300GV	300 SERIES GASKET	FKM	1
M301G	300 SERIES MANIFOLD GASKET WITH RIB	EPDM	1
M302G	3" SKIRTED FLANGE GASKET	EPDM	1



MINI T STRAINERS			
PART NO	DESCRIPTION	MAX PSI	QTY
MLSTM100-50	1" MANIFOLD MINI T STRAINER 50 MESH	300	1
MLSTM100-80	1" MANIFOLD MINI T STRAINER 80 MESH	300	1
MLSTM100-100	1" MANIFOLD MINI T STRAINER 100 MESH	300	1

MINI T STRAINERS W/CLEAR BOWLS			
PART NO	DESCRIPTION	MAX PSI	QTY
MLSTM100-30C	1" MANIFOLD MINI T STRAINER 30 MESH WITH CLEAR BOWL	300	1
MLSTM100-50C	1" MANIFOLD MINI T STRAINER 50 MESH WITH CLEAR BOWL	300	1
MLSTM100-80C	1" MANIFOLD MINI T STRAINER 80 MESH WITH CLEAR BOWL	300	1
MLSTM100-100C	1" MANIFOLD MINI T STRAINER 100 MESH WITH CLEAR BOWL	300	1

MINI T LINE STRAINERS

- Heavy duty glass reinforced polypropylene
- Clear bowl made of polycarbonate
- Black bowl made of polypropylene
- Polypropylene ribbed 316 stainless steel screens
- EPDM gaskets standard
- Convenient color coded screens for easy mesh size identification.

MANIFOLD FLANGE CONNECTIONS

MANIFOLD FLANGE CONNECTIONS

1"-2" T LINE STRAINERS

FEATURES

- EPDM gaskets
- Poly ribbed 316 stainless steel screens

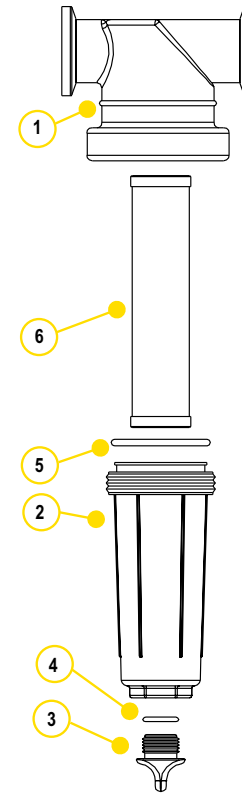


1" FULL PORT MANIFOLD T LINE STRAINERS

PART NO	DESCRIPTION	MAX PSI	QTY
MLST100-16	1" MANIFOLD T STRAINER W/16 MESH SCREEN	300	1
MLST100-30	1" MANIFOLD T STRAINER W/30 MESH SCREEN	300	1
MLST100-50	1" MANIFOLD T STRAINER W/50 MESH SCREEN	300	1
MLST100-80	1" MANIFOLD T STRAINER W/80 MESH SCREEN	300	1
MLST100-100	1" MANIFOLD T STRAINER W/100 MESH SCREEN	300	1

2" STANDARD PORT MANIFOLD T LINE STRAINERS

PART NO	DESCRIPTION	MAX PSI	QTY
MLST150-16	2" MANIFOLD T STRAINER W/16 MESH SCREEN	225	1
MLST150-30	2" MANIFOLD T STRAINER W/30 MESH SCREEN	225	1
MLST150-50	2" MANIFOLD T STRAINER W/50 MESH SCREEN	225	1
MLST150-80	2" MANIFOLD T STRAINER W/80 MESH SCREEN	225	1
MLST150-80V	2" MANIFOLD T STRAINER W/80 MESH SCREEN WITH FKM GASKETS	225	1
MLST150-100	2" MANIFOLD T STRAINER W/100 MESH SCREEN	225	1



REPLACEMENT PARTS 1"

ITEM	PART NO	DESCRIPTION	QTY
1	MLST100-H	1" T BODY	1
2	LST100-B	1" T BOWL, DRAIN PLUG, O-RING	1
3	12777	1/2" PLUG	1
4	UV15163	O-RING	1
5	LST100-G	1" EPDM GASKET	1
5	LST100-GV	1" FKM GASKET	1
6	LST116	16 MESH SCREEN	1
6	LST130	30 MESH SCREEN	1
6	LST150	50 MESH SCREEN	1
6	LST180	80 MESH SCREEN	1
6	LST1100	100 MESH SCREEN	1
KIT	MLST100-HB	KIT INCLUDES ITEMS 1-5	1

REPLACEMENT PARTS 2"

ITEM	PART NO	DESCRIPTION	QTY
1	MLST150-H	1 1/2" T BODY	1
2	LST150-B	1 1/2" T BOWL, DRAIN PLUG, O-RING	1
3	LSQ200-PL	1 1/2" PLUG	1
4	LSQ200-R	O-RING	1
5	LST150-G	1 1/2" EPDM GASKET	1
5	LST150-GV	1 1/2" FKM GASKET	1
6	LST1516	16 MESH SCREEN	1
6	LST1530	30 MESH SCREEN	1
6	LST1550	50 MESH SCREEN	1
6	LST1580	80 MESH SCREEN	1
6	LST15100	100 MESH SCREEN	1
KIT	MLST150-HB	KIT INCLUDES ITEMS 1-5	1

T LINE STRAINERS

SCREENS

MESH SIZE	RIB COLOR
16 MESH	BROWN RED
30 MESH	FLAME RED
50 MESH	GENTIAN BLUE
80 MESH	ZINC YELLOW
100 MESH	TRAFFIC GREEN

1"-2" Y LINE STRAINERS

FEATURES

- EPDM gaskets
- Poly ribbed 316 stainless steel screens

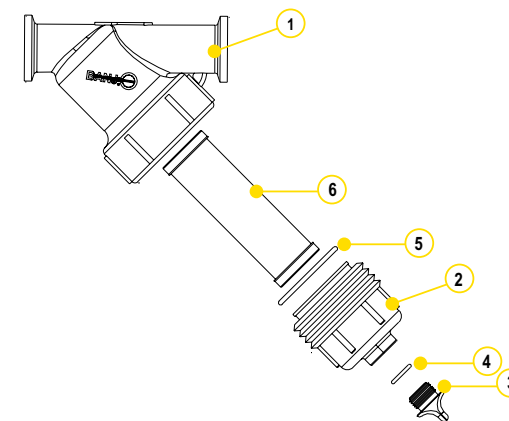


1" FULL PORT MANIFOLD Y LINE STRAINERS

PART NO	DESCRIPTION	MAX PSI	QTY
MLS100-20	1" MANIFOLD Y STRAINER W/20 MESH SCREEN	225	1
MLS100-40	1" MANIFOLD Y STRAINER W/40 MESH SCREEN	225	1
MLS100-80	1" MANIFOLD Y STRAINER W/80 MESH SCREEN	225	1

2" STANDARD PORT MANIFOLD Y LINE STRAINERS

PART NO	DESCRIPTION	MAX PSI	QTY
MLS200-06	2" MANIFOLD Y STRAINER W/6 MESH SCREEN	225	1
MLS200-12	2" MANIFOLD Y STRAINER W/12 MESH SCREEN	225	1
MLS200-20	2" MANIFOLD Y STRAINER W/20 MESH SCREEN	225	1
MLS200-30	2" MANIFOLD Y STRAINER W/30 MESH SCREEN	225	1
MLS200-50	2" MANIFOLD Y STRAINER W/50 MESH SCREEN	225	1
MLS200-50M	2" MANIFOLD Y STRAINER W/MOUNTING BRACKET W/50 MESH SCREEN	225	1
MLS200-80	2" MANIFOLD Y STRAINER W/80 MESH SCREEN	225	1



REPLACEMENT PARTS 1"

ITEM	PART NO	DESCRIPTION	QTY
1	MLS100B	1" Y BODY	1
2	LS100-C1	1" Y BOWL, DRAIN PLUG, O-RING	1
3	12777	1/2" PLUG	1
4	UV15163	O-RING	1
5	LS100-G	1" EPDM GASKET	1
6	LS120	20 MESH SCREEN	1
6	LS140	40 MESH SCREEN	1
6	LS180	80 MESH SCREEN	1
KIT	MLS100BC	KIT INCLUDES ITEMS 1-5	1

REPLACEMENT PARTS 2"

ITEM	PART NO	DESCRIPTION	QTY
1	MLS200B	2" Y BODY	1
2	LS150-C	2" Y BOWL, DRAIN PLUG, O-RING	1
3	LSQ200-PL	2" PLUG	1
4	LSQ200-R	O-RING	1
5	LS150-G	2" EPDM GASKET	1
5	LS150-GV	2" FKM GASKET	1
6	LS206	6 MESH SCREEN	1
6	LS212	12 MESH SCREEN	1
6	LS220	20 MESH SCREEN	1
6	LS230	30 MESH SCREEN	1
6	LS250	50 MESH SCREEN	1
6	LS280	80 MESH SCREEN	1
6	LS2120	120 MESH SCREEN	1
KIT	MLS200BC	KIT INCLUDES ITEMS 1-5	1

Y LINE STRAINERS

SCREENS

MESH SIZE	RIB COLOR
6 MESH	WHITE
12 MESH	BLACK
20 MESH	BEIGE
30 MESH	FLAME RED
40 MESH	BROWN
50 MESH	GENTIAN BLUE
80 MESH	ZINC YELLOW
100 MESH	TRAFFIC GREEN
120 MESH	BLACK

MANIFOLD FLANGE CONNECTIONS

2" FULL PORT Y LINE STRAINERS

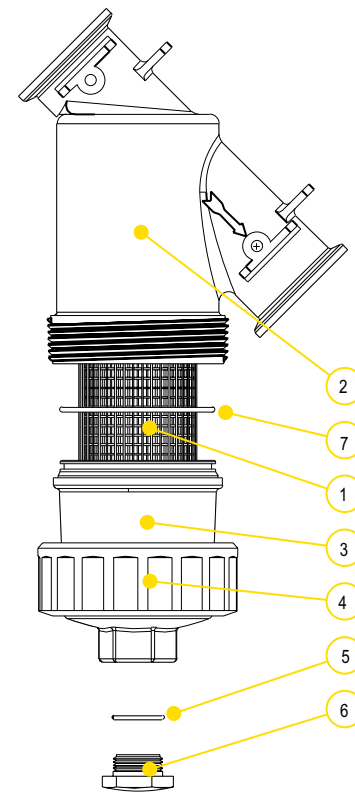
FEATURES

- EPDM gaskets
- 316 stainless steel screens



2" FULL PORT MANIFOLD Y LINE STRAINERS

PART NO	DESCRIPTION	MAX PSI	QTY
MLS222-04	2" FULL PORT MANIFOLD Y STRAINER W/4 MESH SCREEN	225	1
MLS222-08	2" FULL PORT MANIFOLD Y STRAINER W/8 MESH SCREEN	225	1
MLS222-10	2" FULL PORT MANIFOLD Y STRAINER W/12 MESH SCREEN	225	1
MLS222-16	2" FULL PORT MANIFOLD Y STRAINER W/16 MESH SCREEN	225	1
MLS222-20	2" FULL PORT MANIFOLD Y STRAINER W/20 MESH SCREEN	225	1
MLS222-30	2" FULL PORT MANIFOLD Y STRAINER W/30 MESH SCREEN	225	1
MLS222-50	2" FULL PORT MANIFOLD Y STRAINER W/50 MESH SCREEN	225	1
MLS222-80	2" FULL PORT MANIFOLD Y STRAINER W/80 MESH SCREEN	225	1
MLS222-100	2" FULL PORT MANIFOLD Y STRAINER W/100 MESH SCREEN	225	1



MANIFOLD FLANGE CONNECTIONS

2" FULL PORT Y LINE STRAINERS

FEATURES

- EPDM gaskets
- 316 stainless steel screens

REPLACEMENT PARTS 2"

ITEM	PART NO	DESCRIPTION	QTY
1	LST204SS	4 SS MESH SCREEN	1
1	LST206SS	6 SS MESH SCREEN	1
1	LST208SS	8 SS MESH SCREEN	1
1	LST210SS	10 SS MESH SCREEN	1
1	LST216SS	16 SS MESH SCREEN	1
1	LST220SS	20 SS MESH SCREEN	1
1	LST230SS	30 SS MESH SCREEN	1
1	LST250SS	50 SS MESH SCREEN	1
1	MLS250SS	50 SS MESH PERFORATED SCREEN	1
1	LST280SS	80 SS MESH SCREEN	1
1	MLS280SS	80 SS MESH PERFORATED SCREEN	1
1	LST2100SS	100 SS MESH SCREEN	1
1	MLS2100SS	100 SS MESH PERFORATED SCREEN	1
2	MLS222B	2" FLANGED Y STRAINER BODY	1
3	MLS220C1	2" FLANGED Y STRAINER CAP	1
4	MLS220R1	2" FLANGED Y STRAINER RING	1
5	LSQ200-R	2" PLUG GASKET	1
6	LSQ200-PL	2" PLUG	1
7	MLS220G1	2" BODY GASKET	1
2-7	MLS222BC	STRAINER WITHOUT SCREEN	1

3" Y LINE STRAINERS

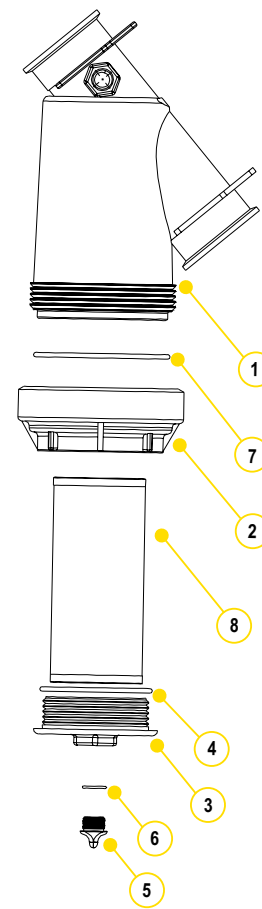
FEATURES

- EPDM gaskets
- 304 stainless steel screens
- Must use on suction side or non-pressure side in all applications



3" FULL PORT MANIFOLD Y LINE STRAINERS

PART NO	DESCRIPTION	MAX PSI	QTY
MLS300-08	3" MANIFOLD Y STRAINER W/8 MESH SCREEN	100	1
MLS300-12	3" MANIFOLD Y STRAINER W/12 MESH SCREEN	100	1
MLS300-20	3" MANIFOLD Y STRAINER W/20 MESH SCREEN	100	1
MLS300-50	3" MANIFOLD Y STRAINER W/50 MESH SCREEN	100	1



3" Y LINE STRAINERS

FEATURES

- EPDM gaskets
- 304 stainless steel screens
- Must use on suction side or non-pressure side in all applications

REPLACEMENT PARTS 3"

ITEM	PART NO	DESCRIPTION	QTY
1	MLS300B	3" FLANGED Y STRAINER BODY	1
2	MLS300CAP	3" FLANGED Y STRAINER CAP	1
3	LS300EC	3" END CAP	1
4	MLS300ECG	3" EPDM END CAP GASKET	1
4	MLS300ECGV	3" FKM END CAP GASKET	1
5	13777	3/4" PLUG	1
6	13778	O-RING	1
7	MLS300G	3" EPDM CAP GASKET	1
7	MLS300GV	3" FKM CAP GASKET	1
8	LS304	4 SS MESH SCREEN	1
8	LS308	8 SS MESH SCREEN	1
8	LS312	12 SS MESH SCREEN	1
8	LS320	20 SS MESH SCREEN	1
8	LS350	50 SS MESH SCREEN	1
1-7	MLS300BC	STRAINER WITHOUT SCREEN	1

BOTTOM DRAIN BOLTED TANK FITTINGS

FEATURES

- Stainless steel bolts
- Bolt head plugs sealed ultrasonically
- Glass reinforced polypropylene
- EDPM gasket standard
- FKM gasket available



BOTTOM DRAIN BOLTED TANK FITTINGS

PART NO	DESCRIPTION	MAX PSI	QTY
MBF100BD	1" FLANGE X 1" FEMALE THREAD W/EPDM GASKET	150	27
MBF200BD	2" FLANGE X 2" FEMALE THREAD W/EPDM GASKET	150	25
MBF220BD	2" FP FLANGE X 2" FEMALE THREAD W/EPDM GASKET	150	27
MBF300BD	3" FLANGE X 3" FEMALE THREAD W/EPDM GASKET	150	16

BOTTOM DRAIN BULKHEAD FITTINGS

FEATURES

- Bolt head plugs sealed ultrasonically
- Glass reinforced polypropylene
- EDPM standard
- Groove allows more drainage
- Gasket not included



BOTTOM DRAIN BULKHEAD FITTINGS

PART NO	DESCRIPTION	HOLE SIZE	MAX PSI	QTY
MTF220BD	2" FP FLANGE X 2" FEMALE THREAD W/EPDM GASKET	3 1/4"	300	1
MTF300BD	3" FLANGE X 3" FEMALE THREAD W/EPDM GASKET	4 1/2"	200	1

BOLTED TANK FITTINGS

FEATURES

- Stainless steel bolts
- Bolt head plugs sealed ultrasonically
- Glass reinforced polypropylene
- EDPM gasket standard
- FKM gasket available



BOLTED TANK FITTINGS

PART NO	DESCRIPTION	MAX PSI	QTY
MBF100	1" FLANGE X 1" FEMALE THREAD W/EPDM GASKET	150	27
MBF200	2" FLANGE X 2" FEMALE THREAD W/EPDM GASKET	150	27
MBF220	2" FP FLANGE X 2" FEMALE THREAD W/EPDM GASKET	150	27
MBF300	3" FLANGE X 3" FEMALE THREAD W/EPDM GASKET	150	27



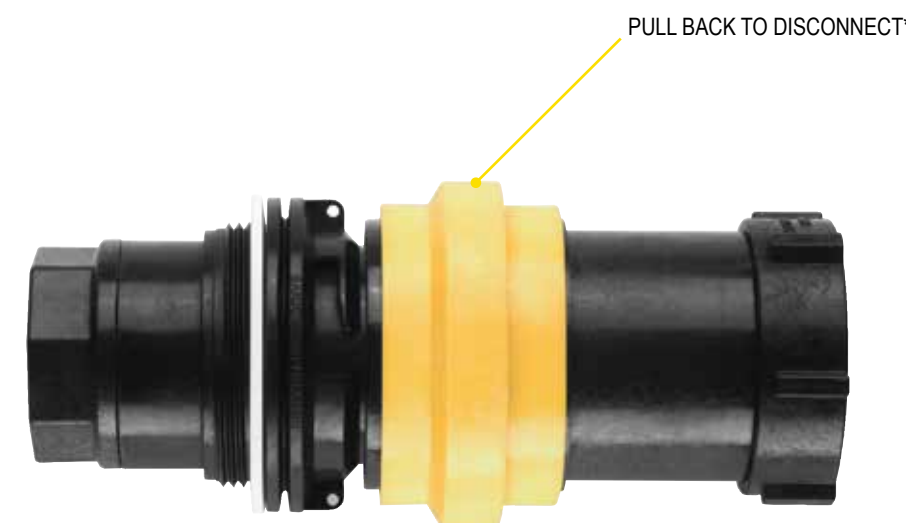
DRY POPPET COUPLINGS

FEATURES

- Lightweight
- Minimal fluid spillage
- Easy to use
- Economical
- Reduces risk of exposure
- Wide range of chemical resistance
- Maximum operating temperature 150° F
- 30 GPM maximum flow
- Precision molded in polypropylene
- 1" female NPT threads

APPLICATIONS

- Agriculture
- Industrial
- Pharmaceutical
- Chemical processing



DRY POPPET COUPLINGS

PART NO	DESCRIPTION	MAX PSI	QTY
DPCF100	FEMALE DRY POPPET COUPLER, 1" FEMALE NPT THREADS W/ FKM SEALS	100	1
DPCM100	MALE DRY POPPET ADAPTER, 1" FEMALE NPT THREADS W/ FKM SEALS	150	1
DPCMT100	MALE DRY POPPET ADAPTER, W/2" MALE THREADED BODY 1" FEMALE NPT THREADS W/ FKM SEALS	150	1

*Note: Male adapter and female coupler shown coupled together but sold separately.

1½" POLY DRY-MATES

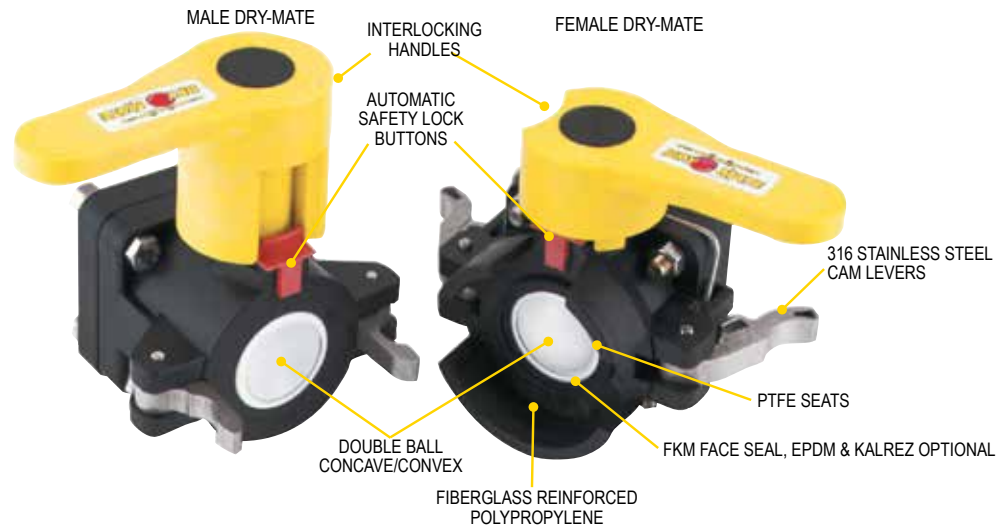
FEATURES

- Lightweight
- Easy to use
- Economical
- Reduces risk of exposure
- Wide range of chemical resistance
- Unrestricted 1½" flow
- Patented double ball design with cam lever connection
- When properly installed and operated, the assembly will not accidentally separate while fluid is flowing; preventing costly mishaps
- Spillage data: 1½" = 2ml



REPAIR KIT INCLUDES:

- Ball
- Body gasket
- Thrust washer
- Ball seats
- Upper stem bushing
- Stem o-ring

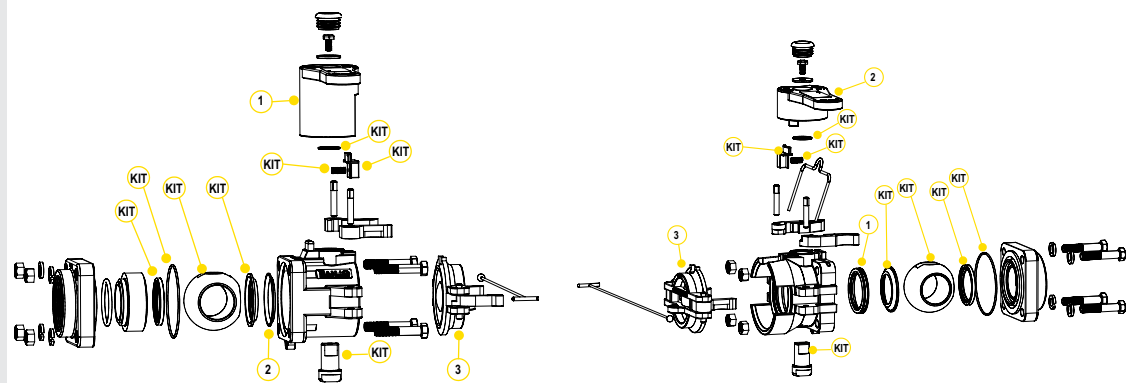


1½" POLY MALE DRY-MATE

PART NO	DESCRIPTION	MAX PSI	PIPE SIZE	OPENING THRU BALL	QTY
DM150A	1½" MALE X FPT NPT W/FKM SEALS	100	1½"	1½"	1
DM150AE	1½" MALE X FPT NPT W/EPDM SEALS	100	1½"	1½"	1
DM150AB	1½" MALE X FPT BSP W/FKM SEALS	100	1½"	1½"	1

1½" POLY FEMALE DRY-MATE

PART NO	DESCRIPTION	MAX PSI	PIPE SIZE	OPENING THRU BALL	QTY
DM150D	1½" FEMALE X FPT NPT W/FKM SEALS	100	1½"	1½"	1
DM150DE	1½" FEMALE NPT W/EPDM SEALS	100	1½"	1½"	1
DM150DB	1½" FEMALE X FPT BSP W/FKM SEALS	100	1½"	1½"	1

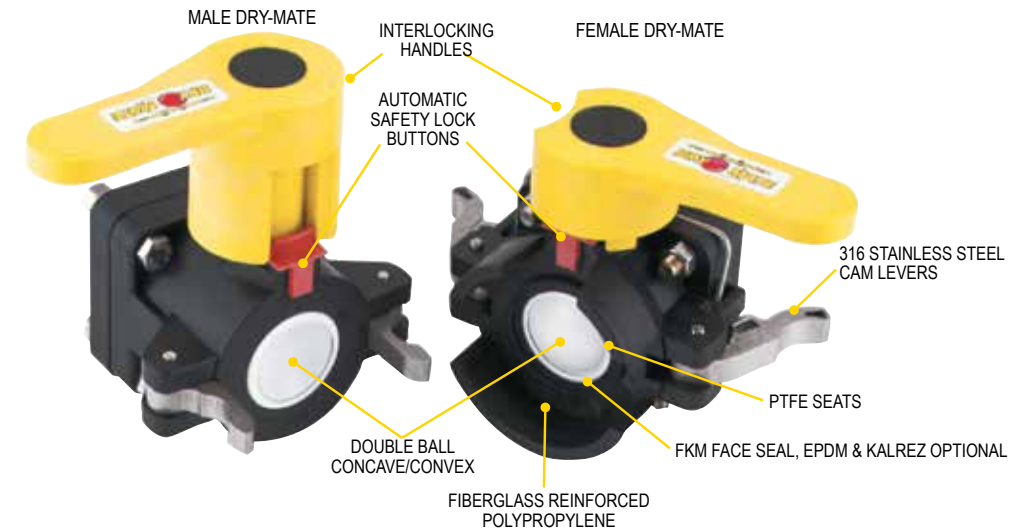


REPLACEMENT PARTS MALE

ITEM	PART NO	DESCRIPTION	QTY
1	DM20153M	MALE HANDLE	1
1	DB20153M	LOW PROFILE HANDLE	1
2	DB20290	FKM FACE SEAL	1
2	DB20295	EPDM FACE SEAL	1
2	DM20296	KALREZ® FACE SEAL	1
3	DM200CAP	DUST CAP	1
KIT	DM20200A	REPAIR KIT FOR DM150A	1

REPLACEMENT PARTS FEMALE

ITEM	PART NO	DESCRIPTION	QTY
1	DM20294A	FKM FACE SEAL	1
1	DB20295A	EPDM FACE SEAL	1
1	DM20296	KALREZ® FACE SEAL	1
2	DM20153F	FEMALE HANDLE	1
3	DM200PL	DUST PLUG	1
KIT	DM20200D	REPAIR KIT FOR DM150D	1

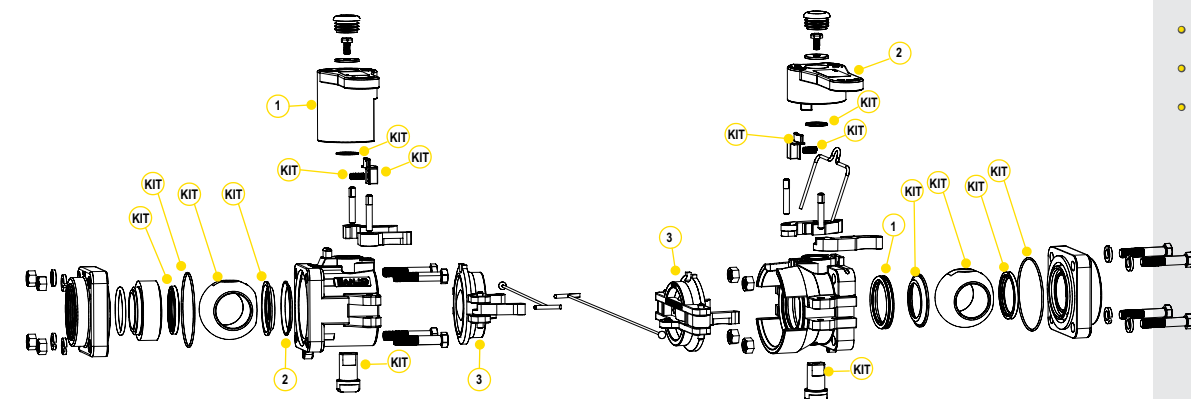


2" POLY MALE DRY-MATE

PART NO	DESCRIPTION	MAX PSI	PIPE SIZE	OPENING THRU BALL	QTY
DM200A	2" MALE X FPT NPT W/FKM SEALS	100	2"	1½"	1
DM200AB	2" MALE X FPT BSP W/FKM SEALS	100	2"	1½"	1
DM200AE	2" MALE X FPT NPT W/EPDM SEALS	100	2"	1½"	1
DM200AT	2" MALE X FPT NPT W/ KALREZ® SEALS	100	2"	1½"	1
DMMT201A	2" MALE X MALE NPT W/LOW PROFILE HANDLE	100	2"	1½"	1
DMMT201AE	2" MALE X MALE NPT W/LOW PROFILE HANDLE W/EPDM SEALS	100	2"	1½"	1

2" POLY FEMALE DRY-MATE

PART NO	DESCRIPTION	MAX PSI	PIPE SIZE	OPENING THRU BALL	QTY
DM200D	2" FEMALE X FPT NPT W/FKM SEALS	100	2"	1½"	1
DM200DB	2" FEMALE X FPT BSP W/FKM SEALS	100	2"	1½"	1
DM200DE	2" FEMALE W/EPDM SEALS	100	2"	1½"	1
DM200DT	2" FEMALE W/KALREZ® SEALS	100	2"	1½"	1



REPLACEMENT PARTS MALE

ITEM	PART NO	DESCRIPTION	QTY
1	DM20153M	MALE HANDLE	1
1	DB20153M	LOW PROFILE HANDLE	1
2	DB20290	FKM FACE SEAL	1
2	DB20295	EPDM FACE SEAL	1
2	DM20296	KALREZ® FACE SEAL	1
3	DM200CAP	DUST CAP	1
KIT	DM20200A	REPAIR KIT FOR DM200A	1

REPLACEMENT PARTS FEMALE

ITEM	PART NO	DESCRIPTION	QTY
1	DM20294A	FKM FACE SEAL	1
1	DB20295A	EPDM FACE SEAL	1
1	DM20296	KALREZ® FACE SEAL	1
2	DM20153F	FEMALE HANDLE	1
3	DM200PL	DUST PLUG	1
KIT	DM20200D	REPAIR KIT FOR DM200D	1

2" POLY DRY-MATES

FEATURES

- Lightweight
- Easy to use
- Economical
- Reduces risk of exposure
- Wide range of chemical resistance
- Unrestricted 1½" flow
- Patented double ball design with cam lever connection
- When properly installed and operated, the assembly will not accidentally separate while fluid is flowing; preventing costly mishaps
- Spillage data: 2" = 2.6ml



REPAIR KIT INCLUDES:

- Ball
- Body gasket
- Thrust washer
- Ball seats
- Upper stem bushing
- Stem o-ring

2" FULL PORT POLY DRY-MATES

FEATURES

- Lightweight
- Easy to use
- Economical
- Reduces risk of exposure
- Wide range of chemical resistance
- Unrestricted 2" flow
- Patented double ball design with cam lever connection
- When properly installed and operated, the assembly will not accidentally separate while fluid is flowing; preventing costly mishaps
- Spillage data: 2" FP = 3.6ml



DM220D

DM220A

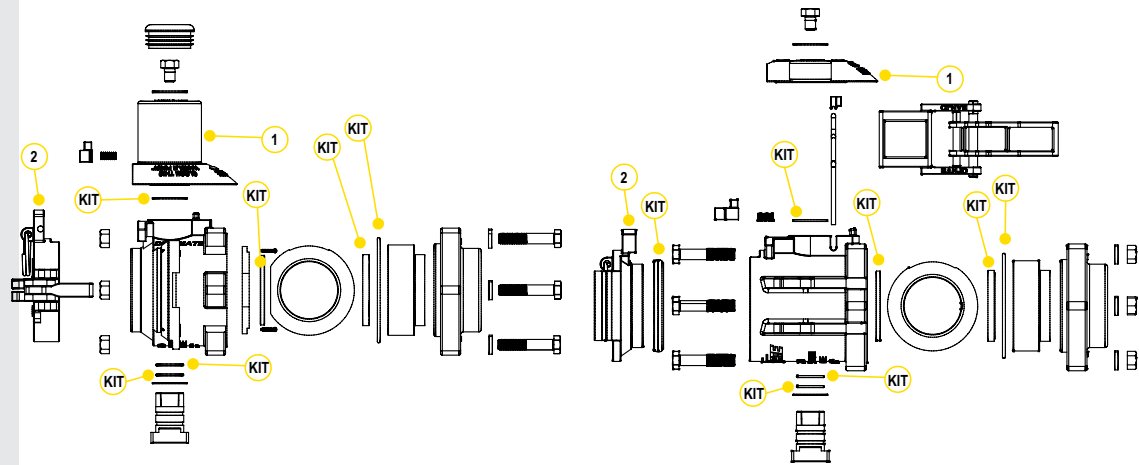
2" FULL PORT POLY DRY-MATES

PART NO	DESCRIPTION	MAX PSI	PIPE SIZE	OPENING THRU BALL	QTY
DM220D	2" FEMALE X FPT NPT W/FKM SEALS	225	2"	2"	1
DM220A	2" MALE X FPT W/FKM SEALS	225	2"	2"	1



REPAIR KIT INCLUDES:

- Body gasket
- Thrust washer
- Ball seats
- Upper stem bushing
- Stem o-ring
- Face seal



REPLACEMENT PARTS MALE

ITEM	PART NO	DESCRIPTION	QTY
1	DM25153M	MALE HANDLE	1
2	DM220CAP	DUST CAP	1
KIT	DM25200	REPAIR KIT	1

REPLACEMENT PARTS FEMALE

ITEM	PART NO	DESCRIPTION	QTY
1	DM25153F	FEMALE HANDLE	1
2	DM221PL	DUST PLUG	1
KIT	DM25200	REPAIR KIT	1



DM300DFP

DM300AFP

3" FULL PORT POLY DRY-MATES

PART NO	DESCRIPTION	MAX PSI	PIPE SIZE	OPENING THRU BALL	QTY
DM300AFP	3" FP MALE X 3" FEMALE NPT THREADS W/ FKM SEALS	150	3"	3"	1
DM300DFP	3" FP FEMALE X 3" FEMALE NPT THREADS W/ FKM SEALS	150	3"	3"	1

3" FULL PORT POLY DRY-MATES

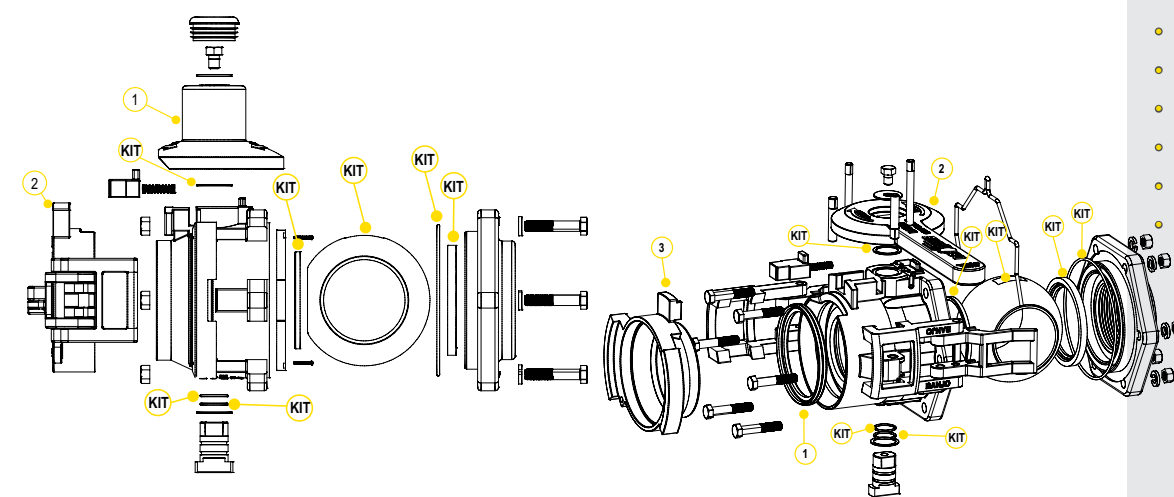
FEATURES

- Lightweight
- Easy to use
- Economical
- Reduces risk of exposure
- Wide range of chemical resistance
- Unrestricted 3" flow
- Patented double ball design with cam lever connection
- When properly installed and operated, the assembly will not accidentally separate while fluid is flowing; preventing costly mishaps
- Spillage data: 3" = 20ml



REPAIR KIT INCLUDES:

- Ball
- Body gasket
- Thrust washer
- Ball seats
- Upper stem bushing
- Stem o-ring
- Face seal



REPLACEMENT PARTS MALE

ITEM	PART NO	DESCRIPTION	QTY
1	DM35153M	MALE HANDLE	1
2	DM300CAP	DUST CAP	1
KIT	DM35200	REPAIR KIT	1

REPLACEMENT PARTS FEMALE

ITEM	PART NO	DESCRIPTION	QTY
1	DM35294	FACE SEAL FKM	1
2	DM35153F	FEMALE HANDLE	1
3	DM300PL	DUST PLUG	1
KIT	DM35200	REPAIR KIT	1

1" FULL PORT STAINLESS STEEL DRY-MATES

FEATURES

- 316 stainless steel construction
- Unrestricted 1" flow
- Patented double ball design with cam lever connection
- 300°F maximum operating temperature
- 100% PTFE ball seats
- When properly installed and operated, the assembly will not accidentally separate while fluid is flowing; preventing costly mishaps
- Spillage data: 1" FP = 1.7ml

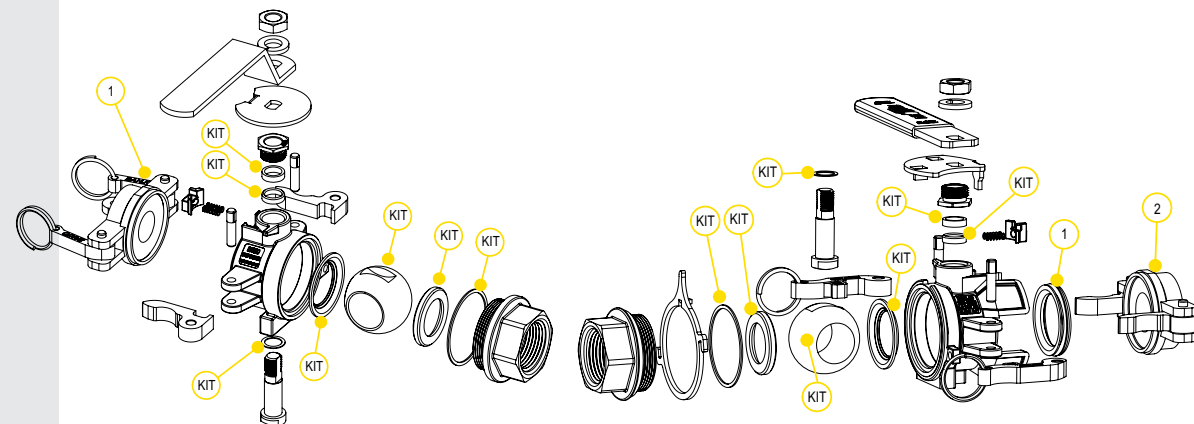


1" FULL PORT STAINLESS STEEL DRY-MATE					
PART NO	DESCRIPTION	MAX PSI	PIPE SIZE	OPENING THRU BALL	QTY
DM100ASS	1" MALE X FPT NPT W/ PTFE SEALS	150	1"	1"	1
DM100ABSS	1" MALE X FPT BSP W/ PTFE SEALS	150	1"	1"	1
DM100DSS	1" FEMALE X FPT NPT W/ FKM SEALS	150	1"	1"	1
DM100DSSE	1" FEMALE X FPT NPT W/ EPDM SEALS	150	1"	1"	1
DM100DBSS	1" FEMALE X FPT BSP W/ FKM SEALS	150	1"	1"	1
DM100DBSST	1" FEMALE X FPT BSP W/ KALREZ® SEALS	150	1"	1"	1



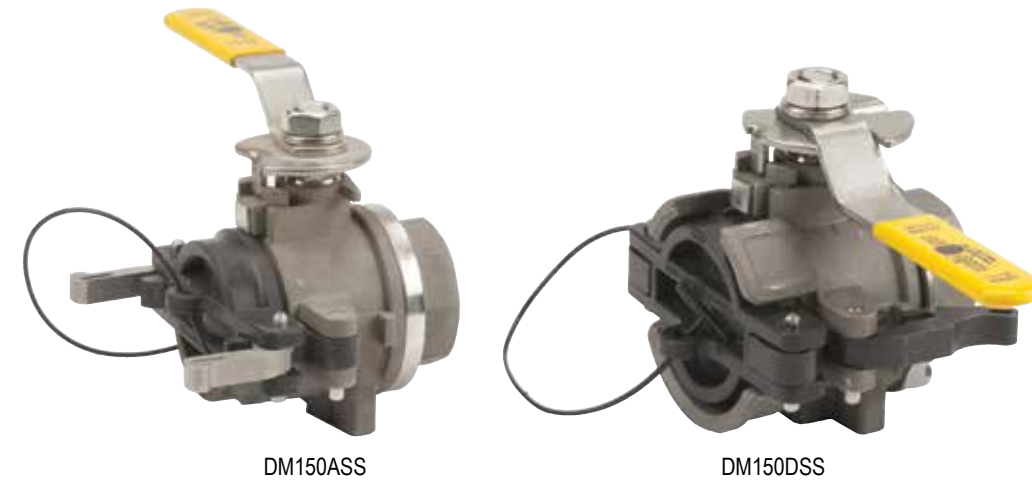
REPAIR KIT INCLUDES:

- Ball
- Body gasket
- Thrust washer
- Ball seats
- Upper stem bushing
- Stem o-ring
- Face seal



REPLACEMENT PARTS MALE			
ITEM	PART NO	DESCRIPTION	QTY
1	DM100CAP	DUST CAP	1
KIT	DM101SS	REPAIR KIT	1

REPLACEMENT PARTS FEMALE			
ITEM	PART NO	DESCRIPTION	QTY
1	DM10294A	FKM FACE SEAL	1
1	DM10295A	EPDM FACE SEAL	1
1	DM10296	KALREZ® FACE SEAL	1
2	DM100PL	POLY PLUG	1
KIT	DM102SSV	FKM REPAIR KIT	1
KIT	DM102SSE	EPDM REPAIR KIT	1
KIT	DM102SST	KALREZ® REPAIR KIT	1



1½" FULL PORT STAINLESS STEEL DRY-MATE					
PART NO	DESCRIPTION	MAX PSI	PIPE SIZE	OPENING THRU BALL	QTY
DM150ASS	1½" MALE X FPT NPT W/ PTFE SEALS	150	1½"	1½"	1
DM150ABSS	1½" MALE X FPT BSP W/ PTFE SEALS	150	1½"	1½"	1
DM150DSS	1½" FEMALE X FPT NPT W/ FKM SEALS	150	1½"	1½"	1
DM150DSSE	1½" FEMALE X FPT NPT W/ EPDM SEALS	150	1½"	1½"	1
DM150DBSS	1½" FEMALE X FPT BSP W/ FKM SEALS	150	1½"	1½"	1
DM150DBSSE	1½" FEMALE X FPT BSP W/ EPDM SEALS	150	1½"	1½"	1

1½" FULL PORT STAINLESS STEEL DRY-MATES

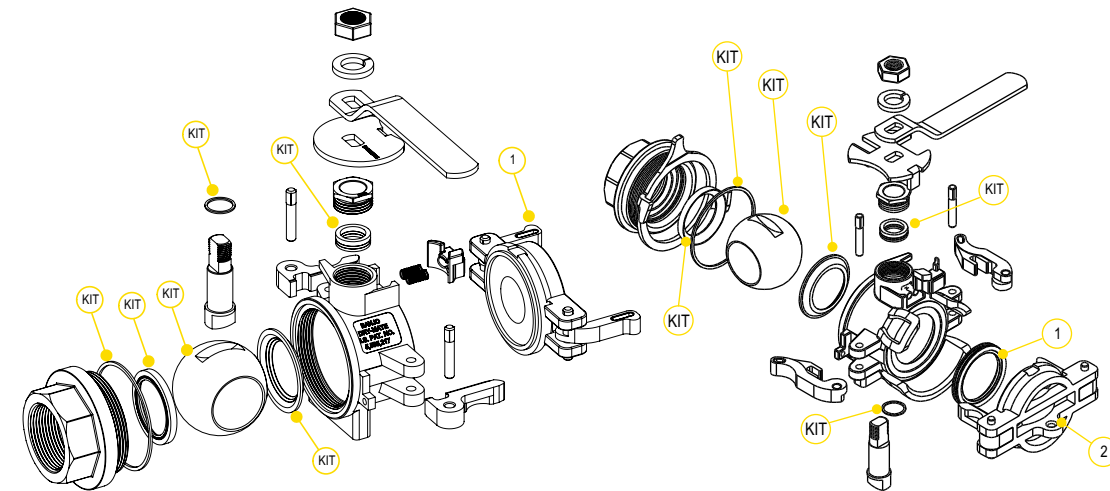
FEATURES

- 316 stainless steel construction
- Unrestricted 1½" flow
- Patented double ball design with cam lever connection
- 300°F maximum operating temperature
- 100% PTFE ball seats
- When properly installed and operated, the assembly will not accidentally separate while fluid is flowing; preventing costly mishaps
- Spillage data: 1½" FP = 3ml



REPAIR KIT INCLUDES:

- Ball
- Body gasket
- Thrust washer
- Ball seats
- Upper stem bushing
- Stem o-ring
- Face seal



REPLACEMENT PARTS MALE			
ITEM	PART NO	DESCRIPTION	QTY
1	DM200ACAP	DUST CAP	1
KIT	DM201SS	REPAIR KIT	1

REPLACEMENT PARTS FEMALE			
ITEM	PART NO	DESCRIPTION	QTY
1	DM20294A	FKM FACE SEAL	1
1	DM20295	EPDM FACE SEAL	1
1	DM20296	KALREZ® FACE SEAL	1
2	DM200APL	DUST PLUG	1
KIT	DM202SSV	FKM REPAIR KIT	1
KIT	DM202SSE	EPDM REPAIR KIT	1
KIT	DM202SST	KALREZ® REPAIR KIT	1

2" STAINLESS STEEL DRY-MATES

FEATURES

- 316 stainless steel construction
- Patented double ball design with cam lever connection
- 300°F maximum operating temperature
- 100% PTFE ball seats
- When properly installed and operated, the assembly will not accidentally separate while fluid is flowing; preventing costly mishaps
- Spillage data: 2" = 3.6ml



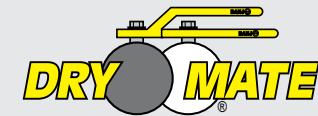
DM200ASS



DM200DSS

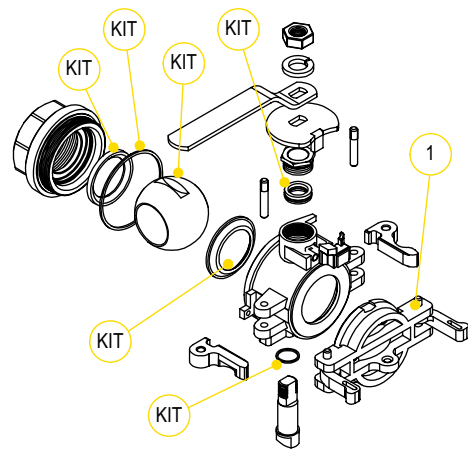
2" STANDARD PORT STAINLESS STEEL DRY-MATE

PART NO	DESCRIPTION	MAX PSI	PIPE SIZE	OPENING THRU BALL	QTY
DM200ASS	2" MALE X FPT NPT W/ PTFE SEALS	300	2"	1½"	1
DM200ABSS	2" MALE X FPT BSP W/ PTFE SEALS	150	2"	1½"	1
DM200DSS	2" FEMALE X FPT NPT W/ FKM SEALS	300	2"	1½"	1
DM200DSSE	2" FEMALE X FPT NPT W/ EPDM SEALS	150	2"	1½"	1
DM200DSST	2" FEMALE X FPT NPT W/ KALREZ® SEALS	150	2"	1½"	1
DM200DBSS	2" FEMALE X FPT BSP W/ FKM SEALS	150	2"	1½"	1
DM200DBSSE	2" FEMALE X FPT BSP W/ EPDM SEALS	150	2"	1½"	1



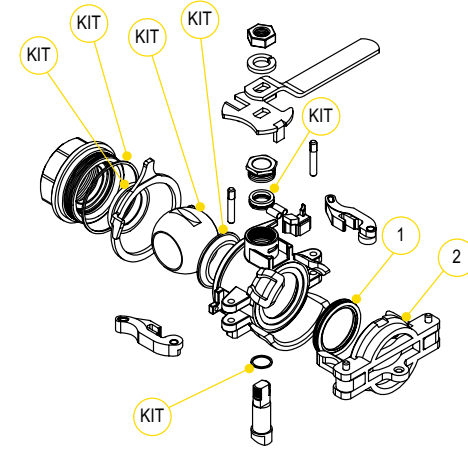
REPAIR KIT INCLUDES:

- Ball
- Body gasket
- Thrust washer
- Ball seats
- Upper stem bushing
- Stem o-ring
- Face seal



REPLACEMENT PARTS MALE

ITEM	PART NO	DESCRIPTION	QTY
1	DM200ACAP	DUST CAP	1
KIT	DM201SS	REPAIR KIT	1



REPLACEMENT PARTS FEMALE

ITEM	PART NO	DESCRIPTION	QTY
1	DM20294A	FKM FACE SEAL	1
1	DB20295	EPDM FACE SEAL	1
1	DM20296	KALREZ® FACE SEAL	1
2	DM200APL	POLY PLUG	1
KIT	DM202SSV	FKM REPAIR KIT	1
KIT	DM202SSE	EPDM REPAIR KIT	1
KIT	DM202SST	KALREZ® REPAIR KIT	1



DM220ASS



DM220DSS

2" FULL PORT STAINLESS STEEL DRY-MATE

PART NO	DESCRIPTION	MAX PSI	PIPE SIZE	OPENING THRU BALL	QTY
DM220ASS	2" FULL PORT MALE X FPT NPT W/ PTFE SEALS	300	2"	2"	1
DM220ABSS	2" FULL PORT MALE X FPT BSP W/ PTFE SEALS	300	2"	2"	1
DM220DSS	2" FULL PORT FEMALE X FPT NPT W/ FKM SEALS	300	2"	2"	1
DM220DBSS	2" FULL PORT FEMALE X FPT BSP W/ FKM SEALS	300	2"	2"	1

2" FULL PORT STAINLESS STEEL DRY-MATES

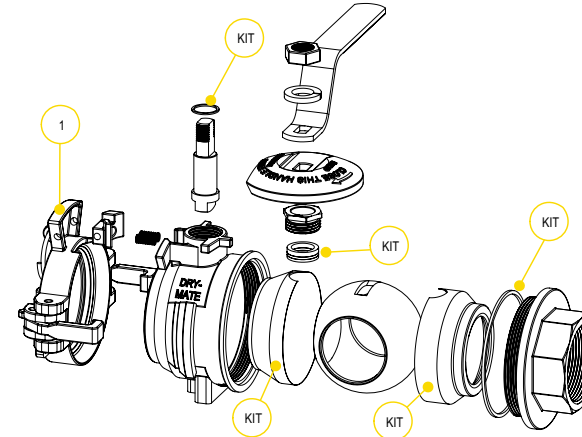
FEATURES

- 316 stainless steel construction
- Unrestricted 2" flow
- Patented double ball design with cam lever connection
- 300°F maximum operating temperature
- 100% PTFE ball seats
- When properly installed and operated, the assembly will not accidentally separate while fluid is flowing; preventing costly mishaps
- Spillage data: 2" FP = 3.8ml



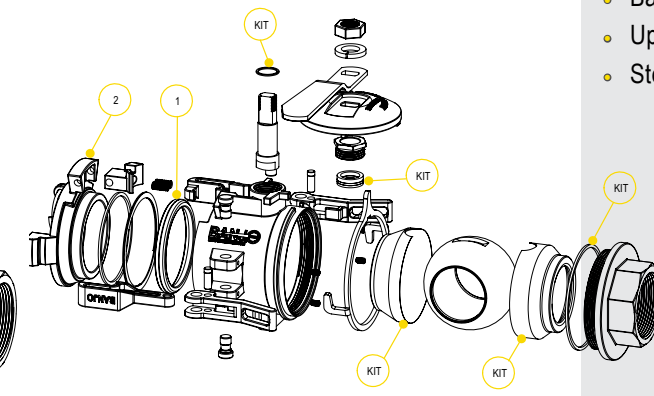
REPAIR KIT INCLUDES:

- Body gasket
- Thrust washer
- Ball seats
- Upper stem bushing
- Stem o-ring



REPLACEMENT PARTS MALE

ITEM	PART NO	DESCRIPTION	QTY
1	DM220CAP	DUST CAP	1
KIT	DM221SS	REPAIR KIT	1



REPLACEMENT PARTS FEMALE

ITEM	PART NO	DESCRIPTION	QTY
1	DM25294	FKM FACE SEAL	1
1	DM25294E	EPDM FACE SEAL	1
1	DM25294T	KALREZ® FACE SEAL	1
2	DM220PL	DUST PLUG	1
KIT	DM222SS	REPAIR KIT	1

CLOSED TRANSFER SYSTEM ADAPTERS

FEATURES

- Allows to safely and properly flush chemical containers



CTS200AR

CTS200D



Rinse Water

*Valve (LV050V) & fitting(050F) not included.

CLOSED TRANSFER SYSTEM ADAPTERS				
PART NO	DESCRIPTION	MAX PSI	PIPE SIZE	QTY
CTS200AR	CLOSED MIX BOTTLE ADAPTER	40	63 MM BTL	1
CTS200D	TANK ADAPTER W/2" MALE NPT THREADS	40	2"	1

SPIN WELD BALL VALVES

FEATURES

- PTFE seats
- FKM stem o-rings
- Precision molded polypropylene is reinforced with fiberglass for additional strength
- Zinc alloy collar
- FKM, EPDM and Santoprene collar gaskets available
- Handles close in either direction
- For faster shipping, order in box quantities



Identifying collar number found here

SPINWELD BALL VALVE							
PART NO	DESCRIPTION	GASKET MATERIAL	COLLAR FITS	COLLAR NUMBER	COLLAR ID	MAX PSI	QTY
W230237	2" POLY SPINWELD VALVE W/NPT OUTLET & CAP & FOIL SEAL	FKM	MAUSER®	V22283 C & D	2 1/4"	20	24/BOX
W230238	2" POLY SPINWELD VALVE W/QDC OUTLET & CAP & FOIL SEAL	FKM	MAUSER®	V22283 C & D	2 1/4"	20	24/BOX
W230239	2" POLY SPINWELD VALVE W/NPT OUTLET & CAP & FOIL SEAL	EPDM	MAUSER®	V22283 C & D	2 1/4"	20	24/BOX
W230240	2" POLY SPINWELD VALVE W/QDC OUTLET & CAP & FOIL SEAL	EPDM	MAUSER®	V22283 C & D	2 1/4"	20	24/BOX
WSF210FSA	2" POLY SPINWELD VALVE W/QDC OUTLET, FOIL SEAL & CAP	SANTOPRENE	SCHUTZ®	V20280 A & B	2 1/4"	50	24/BOX
WSF210FSAV	2" POLY SPINWELD VALVE W/QDC OUTLET, FOIL SEAL & CAP	FKM	SCHUTZ®	V20280 A & B	2 1/4"	50	24/BOX
WSMT210FSA	2" POLY SPINWELD VALVE W/NPT OUTLET, FOIL SEAL & CAP	SANTOPRENE	SCHUTZ®	V20280 A & B	2 1/4"	225	24/BOX
WSMT210FSAV	2" POLY SPINWELD VALVE W/NPT OUTLET, FOIL SEAL & CAP	FKM	SCHUTZ®	V20280 A & B	2 1/4"	225	24/BOX

FDA UNION VALVE AND ADAPTERS

FEATURES

- Precision molded in glass reinforced polypropylene for strength and chemical resistance
- PTFE seats or smooth operation and proper sealing characteristics
- Double EPDM o-rings in stem area for extra sealing protection
- Interlocking body and end plate to allow easy thread connection when installing valves



MBP200



NIP2101



UV204FFPD

UNION VALVE AND ADAPTERS

PART NO	DESCRIPTION	MAX PSI	QTY
MBP200	2" BUTTRESS X 2" NPT ASSEMBLY	200	1
NIP2101	2" NPT X BSP NIPPLE	300	1
UV204FFPD	2" FDA UNION VALVE WITH EPDM	225	1



IBC SOLID TANK LIDS

PART NO	DESCRIPTION	GASKET	QTY
TL650S	6" SOLID TANK LID W/GASKET	SANTOPRENE	1
TL650E	6" SOLID TANK LID W/GASKET	EPDM	1

IBC TANK LID WITH UNVENTED PLUG

PART NO	DESCRIPTION	GASKET	QTY
TL651S	6" TANK LID W/ UNVENTED 2" PLUG W/GASKET	SANTOPRENE	1

IBC TANK LIDS WITH VENTED PLUG

PART NO	DESCRIPTION	GASKET	QTY
TL652S	6" TANK LID W/ VENTED 2" PLUG W/GASKET	SANTOPRENE	1
TL652E	6" TANK LID VENTED 2" PLUG W/GASKET	EPDM	1

TANK LID FOR SPRAY TANKS

PART NO	DESCRIPTION	GASKET	QTY
TL600C	6" VENTED TANK LID	N/A	1

VENTED TANK LIDS

PART NO	DESCRIPTION	GASKET	QTY
TLVA10	10" VENTED TANK LID & RING ASSEMBLY (NEW STYLE)	N/A	1
TLA10	10" VENTED TANK LID & RING ASSEMBLY (OLD STYLE)	N/A	1
TLV10R	10" VENTED TANK LID ASSEMBLY W/O RING	N/A	1
TLV2	CENTER VENT	N/A	1

SIPHON TUBES

PART NO	DESCRIPTION	QTY
ST200	2" POLY SIPHON TUBE	1
ST300	3" POLY SIPHON TUBE	1



TANK LIDS

FEATURES

- Maximum air flow through vent channels
- Airflow equivalent to a 3" hole
- No secondary venting needed
- Baffled vents
- Center vent goes in underside of lid
- NPT Threads

SIPHON TUBES

FEATURES

- Full flow size
- Long length
- Male NPT threads
- Made of polypropylene

POLYPROPYLENE ACCESSORIES

FEATURES

- Glass reinforced polypropylene



BUTTRESS BY MALE ADAPTER

PART NO	DESCRIPTION	GASKET	PSI	QTY
TA283	2" BUTTRESS X 2" MALE NPT THREADS W/GASKET	SANTOPRENE	300	1
TA283QD	2" BUTTRESS X 2" MALE ADAPTER QDC W GASKET	SANTOPRENE	150	1



CAPS

PART NO	DESCRIPTION	PSI	QTY
201FPT	2" FEMALE NPT CAP - BLACK	20	1
211FPT	2" FEMALE NPT CAP - YELLOW	20	1



BUNG PLUGS

PART NO	DESCRIPTION	QTY
231MPT	2" MPT SOLID BUNG W/ EPDM GASKET	1
231MPTBN	2" MPT SOLID BUNG W/ BUNA NITRILE GASKET	1
TL6531	2" VENTED PLUG W/ EPDM GASKET	1



DUST CAPS & LANYARD

PART NO	DESCRIPTION	PSI	QTY
200CAP	2" CAM LEVER DUST CAP	200	1
200CAPSH	2" CAM LEVER DUST CAP WITH SHORT ARMS	200	1
201CAPSH	2" CAM LEVER DUST CAP W/SHORT ARMS & RINGS	200	1
202CAP	2" CAM LEVER DUST CAP	20	1
V20207	11" POLYURETHANE LANYARD	N/A	1



BF150



BF300



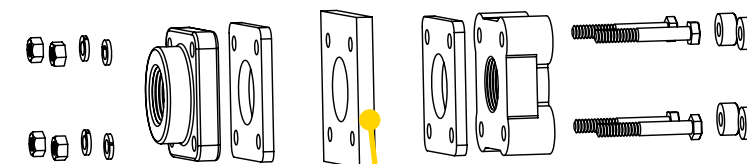
BOLTED TANK FLANGES

PART NO	DESCRIPTION	PSI	QTY
BF075	3/4" X 1" THREADED FLANGE W/EPDM GASKET	150	27
BF100	1" X 1" THREADED FLANGE W/EPDM GASKET	150	27
BF125	1 1/4" X 1" THREADED FLANGE W/EPDM GASKET	150	27
BF150	1 1/2" X 2" THREADED FLANGE W/EPDM GASKET	150	27
BF200	2" X 2" THREADED FLANGE W/EPDM GASKET	150	27
BF200V	2" X 2" THREADED FLANGE W/FKM GASKET	150	27
BF220	2" X 2" FP THREADED FLANGE W/EPDM GASKET	150	27
BF300	3" X 3" THREADED FLANGE W/EPDM GASKET	150	16

BOLTED TANK FLANGE GASKETS

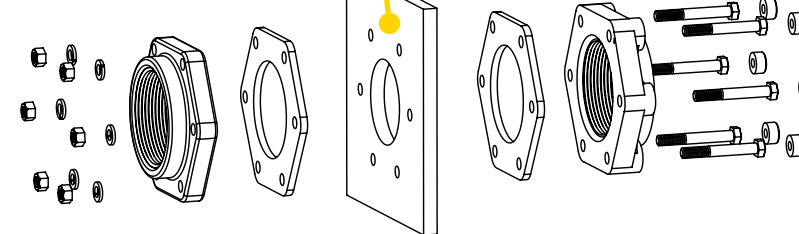
PART NO	DESCRIPTION	PSI	QTY
BF100GE	1" EPDM GASKET	N/A	1
BF200GE	1 1/2" & 2" EPDM GASKET	N/A	1
BF200GV	1 1/2" & 2" FKM GASKET	N/A	1
BF220GE	2" FULL PORT EPDM GASKET	N/A	1
BF220GV	2" FULL PORT FKM GASKET	N/A	1
BF300GE	3" EPDM GASKET	N/A	1
BF300GV	3" FKM GASKET	N/A	1

3/4" — 2"



Tank Wall

3"



BOLTED TANK FLANGES

FEATURES

- Stainless steel bolts
- Bolt head plugs ultrasonically sealed
- Glass reinforced polypropylene
- EPDM gaskets standard and FKM available
- WARNING: Do not tighten tank flange bolts more than 12 ft pounds

BOLTED BOTTOM DRAIN TANK FLANGES

FEATURES

- Stainless steel bolts
- Bolt head plugs ultrasonically sealed
- Glass reinforced polypropylene
- EPDM gaskets standard and FKM available
- Allows 100% rinse free
- No sediment build up
- Excellent for avoiding herbicide cross contamination
- Fits most cone bottom and chemical inductor tanks, 30 gallons and larger.
- For faster shipping, order in box quantities



BOLTED TANK FLANGES

PART NO	DESCRIPTION	MAX PSI	QTY
BF075BD	3/4" X 1" THREADED POLY FLANGE W/ EPDM GASKET	150	27
BF100BD	1" X 1" THREADED POLY FLANGE W/EPDM GASKET	150	27
BF150BD	1 1/2" X 2" THREADED POLY FLANGE W/EPDM GASKET	150	27
BF200BD	2" X 2" THREADED POLY FLANGE W/EPDM GASKET	150	27
BF220BD	2" X 2" FULL PORT THREADED POLY FLANGE W/EPDM GASKET	150	27
BF300BD	3" X 3" THREADED POLY FLANGE W/EPDM GASKET	150	16



BOLTED TANK FLANGE GASKETS

PART NO	DESCRIPTION	MAX PSI	QTY
BF100GE	3/4", 1" & 1 1/4" EPDM GASKET	N/A	1
BF100GRE	3/4", 1" & 1 1/4" FOOT EPDM GASKET	N/A	1
BF100GRV	3/4", 1" & 1 1/4" FOOT FKM GASKET	N/A	1
BF200GE	1 1/2" & 2" EPDM GASKET	N/A	1
BF200GV	1 1/2" & 2" FKM GASKET	N/A	1
BF200GFV	1 1/2" & 2" STD. PORT, 2" FULL PORT FOOT FKM GASKET	N/A	1
BF220GE	2" FULL PORT EPDM GASKET	N/A	1
BF220GV	2" FULL PORT FKM GASKET	N/A	1
BF300GE	3" EPDM GASKET	N/A	1
BF300GV	3" FKM GASKET	N/A	1
BF300GFE	3" FOOT EPDM GASKET	N/A	1
BF300GFV	3" FOOT FKM GASKET	N/A	1



POLY BULKHEAD FITTINGS

PART NO	DESCRIPTION	HOLE SIZE	MAX PSI	QTY
TF050	1/2" POLY BULKHEAD TANK FITTING W/EPDM GASKET	1 5/8"	300	10/BAG
TF075	3/4" POLY BULKHEAD TANK FITTING W/EPDM GASKET	1 5/8"	300	10/BAG
TF075V	3/4" POLY BULKHEAD TANK FITTING W/FKM GASKET	1 5/8"	300	1
TF100	1" POLY BULKHEAD TANK FITTING W/EPDM GASKET	2 1/4"	300	10/BAG
TF125	1 1/4" POLY BULKHEAD TANK FITTING W/EPDM GASKET	2 1/4"	300	1
TF150	1 1/2" POLY BULKHEAD TANK FITTING W/EPDM GASKET	3"	300	1
TF200	2" POLY BULKHEAD TANK FITTING W/EPDM GASKET	3"	300	1
TF200V	2" POLY BULKHEAD TANK FITTING W/FKM GASKET	3"	300	1
TF220	2" POLY BULKHEAD TANK FITTING W/EPDM GASKET	3 1/4"	300	1
TF300	3" POLY BULKHEAD TANK FITTING W/EPDM GASKET	4 1/2"	300	1
TF400	4" POLY BULKHEAD TANK FITTING W/EPDM GASKET	5 3/4"	225	1

316 STAINLESS STEEL BULKHEAD FITTINGS

PART NO	DESCRIPTION	HOLE SIZE	MAX PSI	QTY
TF038SS	3/8" SS BULKHEAD TANK FITTING W/EPDM GASKET	1"	300	1
TF050SS	1/2" SS BULKHEAD TANK FITTING W/EPDM GASKET	1 3/8"	300	1
TF075SS	3/4" SS BULKHEAD TANK FITTING W/EPDM GASKET	1 5/8"	300	1
TF100SS	1" SS BULKHEAD TANK FITTING W/EPDM GASKET	2 1/4"	300	1
TF125SS	1 1/4" SS BULKHEAD TANK FITTING W/EPDM GASKET	2 1/4"	300	1
TF150SS	1 1/2" SS BULKHEAD TANK FITTING W/EPDM GASKET	3"	300	1
TF200SS	2" SS BULKHEAD TANK FITTING W/EPDM GASKET	3"	300	1
TF220SS	2" SS BULKHEAD TANK FITTING W/EPDM GASKET	3 1/4"	300	1
TF300SS	3" SS BULKHEAD TANK FITTING W/EPDM GASKET	4 3/8"	300	1

BULKHEAD GASKETS

PART NO	DESCRIPTION	HOLE SIZE	FITS POLY	FITS SS	QTY
100G	3/8" Poly Bulkhead EPDM Gasket	1"		TF038SS	1
100GV	3/8" Poly Bulkhead FKM Gasket	1"		TF038SS	1
TF138GV	1/2" Poly Bulkhead FKM Gasket	1 3/8"		TF050SS	1
150G	1/2" & 3/4" Poly Bulkhead EPDM Gasket	1 5/8"	TF050 & TF075	TF075SS	1
150GV	1/2" & 3/4" Poly Bulkhead FKM Gasket	1 5/8"	TF050 & TF075	TF075SS	1
TF100G	1" & 1 1/4" Poly Bulkhead EPDM Gasket	2 1/4"	TF100 & TF125	TF100SS & TF125SS	1
TF100GV	1" & 1 1/4" Poly Bulkhead FKM Gasket	2 1/4"	TF100 & TF125	TF100SS & TF125SS	1
300G	1 1/2" & 2" Poly Bulkhead EPDM Gasket	3"	TF200 & TF150	TF200SS & TF150SS	1
300GV	1 1/2" & 2" Poly Bulkhead FKM Gasket	3"	TF200 & TF150	TF200SS & TF150SS	1
TF220G	2" Poly Bulkhead EPDM Gasket	3 1/4"	TF220	TF220SS	1
TF220GV	2" Poly Bulkhead FKM Gasket	3 1/4"	TF220	TF220SS	1
TF300G	3" Poly Bulkhead EPDM Gasket	4 1/2"	TF300	TF300SS	1
TF300GV	3" Poly Bulkhead FKM Gasket	4 1/2"	TF300	TF300SS	1
TF400G	4" Poly Bulkhead EPDM Gasket	5 3/4"	TF400		1
TF400GV	4" Poly Bulkhead FKM Gasket	5 3/4"	TF400		1

BULKHEAD TANK FITTINGS

FEATURES

- Double sided female NPT threads
- Available with EPDM or FKM gasket
- Where noted, parts must be ordered in bag quantities

ANTI VORTEX VENT CAPS

FEATURES

- Male NPT
- Glass reinforced polypropylene
- 304 stainless steel screen



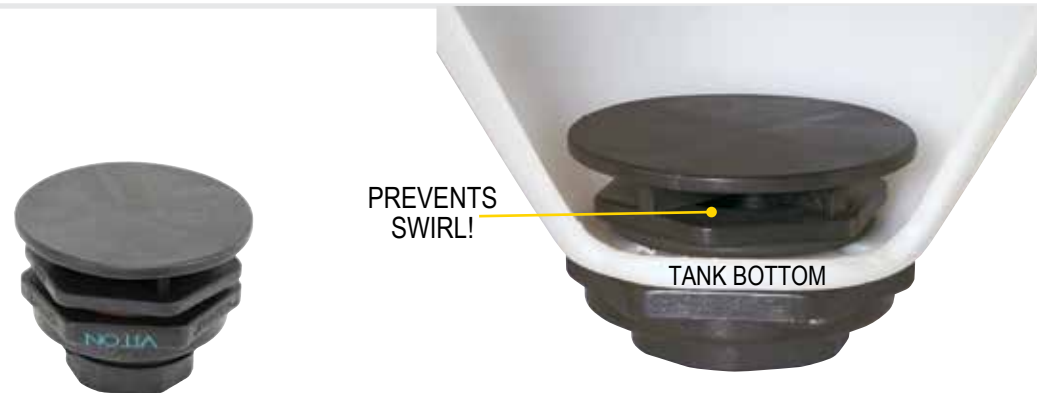
ANTI VORTEX VENT CAPS

PART NO	DESCRIPTION	BORE SIZE	BORE AREA	VENT AREA	QTY
VC200	2" ANTI VORTEX VENT CAP WITHOUT SCREEN	2"	3.1 SQ IN	3.9 SQ IN	1
VC230	2" ANTI VORTEX VENT CAP W/12 MESH SS SCREEN	2"	3.1 SQ IN	3.9 SQ IN	1
VC300	3" ANTI VORTEX VENT CAP WITHOUT SCREEN	3"	7 SQ IN	9 SQ IN	1
VC330	3" ANTI VORTEX VENT CAP W/10 MESH SS SCREEN	3"	7 SQ IN	9 SQ IN	1

ANTI VORTEX TANK FLANGES

FEATURES

- Standard with FKM
- Prevents swirl in bottom of tank



ANTI VORTEX TANK FLANGES

PART NO	DESCRIPTION	HOLE SIZE	QTY
TF100AV	1" ANTI VORTEX TANK FLANGES	2 1/4"	1
TF125AV	1 1/4" ANTI VORTEX TANK FLANGES	2 1/4"	1
TF150AV	1 1/2" ANTI VORTEX TANK FLANGES	3"	1
TF200AV	2" ANTI VORTEX TANK FLANGES	3"	1

ANSI FLANGES

FEATURES

- Glass reinforced polypropylene
- Heavy duty

THREADED ANSI FLANGES

PART NO	DESCRIPTION	QTY
AF100	1" FEMALE THREADED ANSI FLANGE	1
AF150	1 1/2" FEMALE THREADED ANSI FLANGE	1
AF200	2" FEMALE THREADED ANSI FLANGE	1
AF300	3" FEMALE THREADED ANSI FLANGE	1
AF400	4" FEMALE THREADED ANSI FLANGE	1

BLIND ANSI FLANGES

PART NO	DESCRIPTION	QTY
AFB200	2" BLIND ANSI FLANGE	1
AFB300	3" BLIND ANSI FLANGE	1
AFB400	4" BLIND ANSI FLANGE	1

ANSI FLANGE GASKETS

PART NO	DESCRIPTION	QTY
AF100G	1" ANSI FLANGE EPDM GASKET	1
AF100GV	1" ANSI FLANGE FKM GASKET	1
AF150G	1 1/2" ANSI FLANGE EPDM GASKET	1
AF150GV	1 1/2" ANSI FLANGE FKM GASKET	1
AF200G	2" ANSI FLANGE EPDM GASKET	1
AF200GV	2" ANSI FLANGE FKM GASKET	1
AF300G	3" ANSI FLANGE EPDM GASKET	1
AF300GV	3" ANSI FLANGE FKM GASKET	1
AF400G	4" ANSI FLANGE EPDM GASKET	1
AF400GV	4" ANSI FLANGE FKM GASKET	1

CAM LEVER COUPLINGS

CAM LEVER COUPLINGS

¾"-3" STAINLESS STEEL

¾"-3" STAINLESS STEEL

FEATURES

FEATURES

- Tough 316 stainless steel to ensure durability
- Chemical resistant to protect against corrosion
- Precision made casting assures uniformity and proper fit
- Versatile to interchange with all types of cam lever couplings
- Smooth operation makes connections quick and easy
- Standard with Buna "N" gaskets and FKM available

- Tough 316 stainless steel to ensure durability
- Chemical resistant to protect against corrosion
- Precision made casting assures uniformity and proper fit
- Versatile to interchange with all types of cam lever couplings
- Smooth operation makes connections quick and easy
- Standard with Buna "N" gaskets and FKM available



WARNING! Couplings should not be disconnected under pressure or with liquid in the line.

WARNING! Couplings should not be disconnected under pressure or with liquid in the line.



STAINLESS STEEL CAM LEVER COUPLINGS						
ITEM	DESCRIPTION	¾"	1"	1½"	2"	3"
A	MALE ADAPTER X FEMALE THREAD	075ASS	100ASS	150ASS	200ASS	300ASS
B	FEMALE COUPLER X MALE THREAD	075BSS	100BSS	150BSS	200BSS	300BSS
C	FEMALE COUPLER X HOSE BARB	075CSS	100CSS	150CSS	200CSS	300CSS
D	FEMALE COUPLER X FEMALE THREAD	075DSS	100DSS	150DSS	200DSS	300DSS
E	MALE ADAPTER X HOSE BARB	075ESS	100ESS	150ESS	200ESS	300ESS
F	MALE ADAPTER X MALE THREAD	075FSS	100FSS	150FSS	200FSS	300FSS
PL	PLUG FOR FEMALE COUPLER	075PL/SS	100PL/SS	150PL/SS	200PL/SS	300PL/SS
CAP	CAP FOR MALE ADAPTER	075CAP/SS	100CAP/SS	150CAP/SS	200CAP/SS	300CAP/SS

¾" SERIES STAINLESS STEEL CAM LEVER COUPLINGS					
PART NO	DESCRIPTION	MAX PSI	GASKET	QTY	
075ASS	¾" MALE ADAPTER X ¾" FEMALE THREAD	300	N/A	1	
075BSS	¾" FEMALE COUPLER X ¾" MALE THREAD	300	BUNA	1	
075CSS	¾" FEMALE COUPLER X ¾" HOSE BARB	300	BUNA	1	
075DSS	¾" FEMALE COUPLER X ¾" FEMALE THREAD	300	BUNA	1	
075ESS	¾" MALE ADAPTER X ¾" HOSE BARB	300	N/A	1	
075FSS	¾" MALE ADAPTER X ¾" MALE THREAD	300	N/A	1	
075CAP/SS	¾" CAP X MALE ADAPTER	300	BUNA	1	
075PL/SS	¾" PLUG X FEMALE COUPLER	300	N/A	1	

1" SERIES STAINLESS STEEL CAM LEVER COUPLINGS					
PART NO	DESCRIPTION	MAX PSI	GASKET	QTY	
100ASS	1" MALE ADAPTER X 1" FEMALE THREAD	300	N/A	1	
100BSS	1" FEMALE COUPLER X 1" MALE THREAD	300	BUNA	1	
100CSS	1" FEMALE COUPLER X 1" HOSE BARB	300	BUNA	1	
100DSS	1" FEMALE COUPLER X 1" FEMALE THREAD	300	BUNA	1	
100ESS	1" MALE ADAPTER X 1" HOSE BARB	300	N/A	1	
100FSS	1" MALE ADAPTER X 1" MALE THREAD	300	N/A	1	
100CAP/SS	1" CAP X MALE ADAPTER	300	BUNA	1	
100PL/SS	1" PLUG X FEMALE COUPLER	300	N/A	1	

1½" SERIES STAINLESS STEEL CAM LEVER COUPLINGS					
PART NO	DESCRIPTION	MAX PSI	GASKET	QTY	
150ASS	1½" MALE ADAPTER X 1½" FEMALE THREAD	300	N/A	1	
150BSS	1½" FEMALE COUPLER X 1½" MALE THREAD	300	BUNA	1	
150CSS	1½" FEMALE COUPLER X 1½" HOSE BARB	300	BUNA	1	
150DSS	1½" FEMALE COUPLER X 1½" FEMALE THREAD	300	BUNA	1	
150ESS	1½" MALE ADAPTER X 1½" HOSE BARB	300	N/A	1	
150FSS	1½" MALE ADAPTER X 1½" MALE THREAD	300	N/A	1	
150CAP/SS	1½" CAP X MALE ADAPTER	300	BUNA	1	
150PL/SS	1½" PLUG X FEMALE COUPLER	300	N/A	1	

2" SERIES STAINLESS STEEL CAM LEVER COUPLINGS					
PART NO	DESCRIPTION	MAX PSI	GASKET	QTY	
200ASS	2" MALE ADAPTER X 2" FEMALE THREAD	300	N/A	1	
200BSS	2" FEMALE COUPLER X 2" MALE THREAD	300	BUNA	1	
200CSS	2" FEMALE COUPLER X 2" HOSE BARB	300	BUNA	1	
200DSS	2" FEMALE COUPLER X 2" FEMALE THREAD	300	BUNA	1	
200ESS	2" MALE ADAPTER X 2" HOSE BARB	300	N/A	1	
200FSS	2" MALE ADAPTER X 2" MALE THREAD	300	N/A	1	
200CAP/SS	2" CAP X MALE ADAPTER	300	BUNA	1	
200PL/SS	2" PLUG X FEMALE COUPLER	300	N/A	1	

3" SERIES STAINLESS STEEL CAM LEVER COUPLINGS					
PART NO	DESCRIPTION	MAX PSI	GASKET	QTY	
300ASS	3" MALE ADAPTER X 3" FEMALE THREAD	300	N/A	1	
300BSS	3" FEMALE COUPLER X 3" MALE THREAD	300	BUNA	1	
300CSS	3" FEMALE COUPLER X 3" HOSE BARB	300	BUNA	1	
300DSS	3" FEMALE COUPLER X 3" FEMALE THREAD	300	BUNA	1	
300ESS	3" MALE ADAPTER X 3" HOSE BARB	300	N/A	1	
300FSS	3" MALE ADAPTER X 3" MALE THREAD	300	N/A	1	
300CAP/SS	3" CAP X MALE ADAPTER	300	BUNA	1	
300PL/SS	3" PLUG X FEMALE COUPLER	300	N/A	1	

REPLACEMENT PARTS		
PART NO	DESCRIPTION	QTY
100RING	RING FITS ¾" & 1"	1
150RING	RING FITS 1½", 2", 3", 4"	1
300K6	CAM ARM WITH RING FITS 3" & 4"	1
75GV	¾" FKM GASKET	1
100GV	1" FKM GASKET	1
150GV	1½" FKM GASKET	1
200GB	2" BUNA GASKET	1
200GV	2" FKM GASKET	1
300GV	3" FKM GASKET	1
400GV	4" FKM GASKET	1

1/4"-4" POLYPROPYLENE

FEATURES

- Stainless steel rings, arms and pins
- Versatile — interchangeable with all types of cam lever couplings
- Precision molded — ensures a uniform and accurate fit
- Durable — polypropylene is glass reinforced for rugged strength
- Smooth operating — finger rings are designed for easy opening of cam levers
- Economical and superior in performance
- Standard with EPDM gaskets, FKM gaskets can be ordered separately on page 79
- Where noted, parts must be ordered in bag quantities
- 1/4" and 1/2" series couplings interchange with 3/4" size couplings. Coupling ends are 3/4" size.
- 1 1/4" series couplings interchange with 1" size couplings. Coupling ends are 1" size.
- 1 1/2" x 1 1/4" couplings interchange with 1 1/2" size couplings. Coupling ends are 1 1/2" size.



WARNING! Couplings should not be disconnected under pressure or with liquid in the line.



POLYPROPYLENE CAM LEVER COUPLINGS

ITEM	DESCRIPTION	1/4"	1/2"	3/4"	1"	1 1/4"	1 1/2" x 1 1/4"	1 1/2"	2"	2 1/2"	3"	3" 3 ARMS	4" 3 ARMS
A	MALE ADAPTER X FEMALE THREAD	75A1/4	75A1/2	75A3/4	100A	125A	150125A	150A	200A		300A		400A
B	FEMALE COUPLER X MALE THREAD		75B1/2	75B3/4	100B	125B	150125B	150B	200B		300B	303B	400B
C	FEMALE COUPLER X HOSE BARB		050C	075C	100C	125C	150125C	150C	200C		300C	303C	400C
D	FEMALE COUPLER X FEMALE THREAD		050D	075D	100D	125D	150125D	150D	200D		300D		400D
E	MALE ADAPTER X HOSE BARB		050E	075E	100E	125E	150125E	150E	200E		300E		400E
F	MALE ADAPTER X MALE THREAD		050F	075F	100F	125F	150125F	150F	200F		300F		400F
PL	PLUG FOR FEMALE COUPLER		75PL	75PL	100125PL	100125PL	150PL	150PL	200PL	250PL	300PL		400PL
CAP	CAP FOR MALE ADAPTER		075CAP	075CAP	100125CAP	100125CAP	150CAP	150CAP	200CAP	250CAP	300CAP		400CAP (2 arms)
CAPSH	CAP WITH SHORT ARMS						200CAPSH						

1/4" SERIES POLY CAM LEVER COUPLINGS

PART NO	DESCRIPTION	MAX PSI	GASKET	QTY
75A1/4	3/4" MALE ADAPTER X 1/4" FEMALE THREAD	300	N/A	10/BAG

1/2" SERIES POLY CAM LEVER COUPLINGS

PART NO	DESCRIPTION	MAX PSI	GASKET	QTY
75A1/2	3/4" MALE ADAPTER X 1/2" FEMALE THREAD	225	N/A	10/BAG
75B1/2	3/4" FEMALE COUPLER X 1/2" MALE THREAD	300	EPDM	10/BAG
050C	3/4" FEMALE COUPLER X 1/2" HOSE BARB	300	EPDM	10/BAG
050D	3/4" FEMALE COUPLER X 1/2" FEMALE THREAD	300	EPDM	10/BAG
050E	3/4" MALE ADAPTER X 1/2" HOSE BARB	300	N/A	10/BAG
050F	3/4" MALE ADAPTER X 1/2" MALE THREAD	300	N/A	10/BAG
075CAP	3/4" CAP X MALE ADAPTER	300	EPDM	10/BAG
75PL	3/4" PLUG X FEMALE COUPLER	300	N/A	10/BAG

3/4" SERIES POLY CAM LEVER COUPLINGS

PART NO	DESCRIPTION	MAX PSI	GASKET	QTY
75A3/4	3/4" MALE ADAPTER X 3/4" FEMALE THREAD	225	N/A	10/BAG
75B3/4	3/4" FEMALE COUPLER X 3/4" MALE THREAD	300	EPDM	10/BAG
075C	3/4" FEMALE COUPLER X 3/4" HOSE BARB	300	EPDM	10/BAG
075D	3/4" FEMALE COUPLER X 3/4" FEMALE THREAD	300	EPDM	10/BAG
075E	3/4" MALE ADAPTER X 3/4" HOSE BARB	300	N/A	10/BAG
075F	3/4" MALE ADAPTER X 3/4" MALE THREAD	300	N/A	10/BAG
075CAP	3/4" CAP X MALE ADAPTER	300	EPDM	10/BAG
75PL	3/4" PLUG X FEMALE COUPLER	300	N/A	10/BAG

1" SERIES POLY CAM LEVER COUPLINGS

PART NO	DESCRIPTION	MAX PSI	GASKET	QTY
100A	1" MALE ADAPTER X 1" FEMALE THREAD	300	N/A	10/BAG
100B	1" FEMALE COUPLER X 1" MALE THREAD	300	EPDM	10/BAG
100C	1" FEMALE COUPLER X 1" HOSE BARB	300	EPDM	10/BAG
100D	1" FEMALE COUPLER X 1" FEMALE THREAD	300	EPDM	10/BAG
100E	1" MALE ADAPTER X 1" HOSE BARB	300	N/A	10/BAG
100F	1" MALE ADAPTER X 1" MALE THREAD	300	N/A	10/BAG
100125CAP	1" CAP X MALE ADAPTER	300	EPDM	10/BAG
100125PL	1" PLUG X FEMALE COUPLER	300	N/A	10/BAG

1 1/4" SERIES POLY CAM LEVER COUPLINGS

PART NO	DESCRIPTION	MAX PSI	GASKET	QTY
125A	1" MALE ADAPTER X 1 1/4" FEMALE THREAD	300	N/A	10/BAG
125B	1" FEMALE COUPLER X 1 1/4" MALE THREAD	300	EPDM	10/BAG
125C	1" FEMALE COUPLER X 1 1/4" HOSE BARB	300	EPDM	10/BAG
125D	1" FEMALE COUPLER X 1 1/4" FEMALE THREAD	300	EPDM	10/BAG
125E	1" MALE ADAPTER X 1 1/4" HOSE BARB	300	N/A	10/BAG
125F	1" MALE ADAPTER X 1 1/4" MALE THREAD	300	N/A	10/BAG
100125CAP	1" CAP X MALE ADAPTER	300	EPDM	10/BAG
100125PL	1" PLUG X FEMALE COUPLER	300	N/A	10/BAG

1 1/2" X 1 1/4" SERIES POLY CAM LEVER COUPLINGS

PART NO	DESCRIPTION	MAX PSI	GASKET	QTY
150125A	1 1/2" MALE ADAPTER X 1 1/4" FEMALE THREAD	225	N/A	10/BAG
150125B	1 1/2" FEMALE COUPLER X 1 1/4" MALE THREAD	300	EPDM	1
150125C	1 1/2" FEMALE COUPLER X 1 1/4" HOSE BARB	300	EPDM	1
150125D	1 1/2" FEMALE COUPLER X 1 1/4" FEMALE THREAD	300	EPDM	1
150125E	1 1/2" MALE ADAPTER X 1 1/4" HOSE BARB	225	EPDM	10/BAG
150125F	1 1/2" MALE ADAPTER X 1 1/4" MALE THREAD	300	N/A	10/BAG
150CAP	1 1/2" CAP X MALE ADAPTER	300	EPDM	1
150PL	1 1/2" PLUG X FEMALE COUPLER	225	N/A	10/BAG

1 1/2" SERIES POLY CAM LEVER COUPLINGS

PART NO	DESCRIPTION	MAX PSI	GASKET	QTY
150A	1 1/2" MALE ADAPTER X 1 1/2" FEMALE THREAD	225	N/A	10/BAG
150B	1 1/2" FEMALE COUPLER X 1 1/2" MALE THREAD	300	EPDM	1
150C	1 1/2" FEMALE COUPLER X 1 1/2" HOSE BARB	300	EPDM	1
150D	1 1/2" FEMALE COUPLER X 1 1/2" FEMALE THREAD	300	EPDM	1
150E	1 1/2" MALE ADAPTER X 1 1/2" HOSE BARB	200	N/A	10/BAG
150F	1 1/2" MALE ADAPTER X 1 1/2" MALE THREAD	300	N/A	10/BAG
150CAP	1 1/2" CAP X MALE ADAPTER	300	EPDM	1
150PL	1 1/2" PLUG X FEMALE COUPLER	225	N/A	10/BAG

1/4"-4" POLYPROPYLENE

FEATURES

- Stainless steel rings, arms and pins
- Versatile — interchangeable with all types of cam lever couplings
- Precision molded — ensures a uniform and accurate fit
- Durable — polypropylene is glass reinforced for rugged strength
- Smooth operating — finger rings are designed for easy opening of cam levers
- Economical and superior in performance
- Standard with EPDM gaskets, FKM gaskets can be ordered separately on page 79
- Where noted, parts must be ordered in bag quantities
- 1/4", 3/8" and 1/2" series couplings interchange with 3/4" size couplings. Coupling ends are 3/4" size.
- 1 1/4" series couplings interchange with 1" size couplings. Coupling ends are 1" size.
- 1 1/2" x 1 1/4" couplings interchange with 1 1/2" size couplings. Coupling ends are 1 1/2" size.



WARNING! Couplings should not be disconnected under pressure or with liquid in the line.

1/4"-4" POLYPROPYLENE

FEATURES

- Stainless steel rings, arms and pins
- Versatile — interchangeable with all types of cam lever couplings
- Precision molded — ensures a uniform and accurate fit
- Durable — polypropylene is glass reinforced for rugged strength
- Smooth operating — finger rings are designed for easy opening of cam levers
- Economical and superior in performance
- Standard with EPDM gaskets, FKM also available
- Where noted, parts must be ordered in bag quantities
- 1/4", 3/8" and 1/2" series couplings interchange with 3/4" size couplings. Coupling ends are 3/4" size.
- 1 1/4" series couplings interchange with 1" size couplings. Coupling ends are 1" size.
- 1 1/2" x 1 1/4" couplings interchange with 1 1/2" size couplings. Coupling ends are 1 1/2" size.



WARNING! Couplings should not be disconnected under pressure or with liquid in the line.



2" SERIES POLY CAM LEVER COUPLINGS

PART NO	DESCRIPTION	MAX PSI	GASKET	QTY
200A	2" MALE ADAPTER X 2" FEMALE THREAD	225	N/A	10/BAG
200B	2" FEMALE COUPLER X 2" MALE THREAD	225	EPDM	1
201B	2" FEMALE COUPLER X 2" EXTENDED MALE THREAD	200	EPDM	1
200C	2" FEMALE COUPLER X 2" HOSE BARB	225	EPDM	1
200D	2" FEMALE COUPLER X 2" FEMALE THREAD	200	EPDM	1
200E	2" MALE ADAPTER X 2" HOSE BARB	200	N/A	10/BAG
200F	2" MALE ADAPTER X 2" MALE THREAD	300	N/A	10/BAG
200CAP	2" CAP X MALE ADAPTER	200	EPDM	1
200CAPSH	2" CAP X MALE ADAPTER W/SHORT ARMS	200	EPDM	1
200PL	2" PLUG X FEMALE COUPLER	225	N/A	10/BAG

2" X 1 1/2" SERIES POLY CAM LEVER COUPLINGS

PART NO	DESCRIPTION	MAX PSI	GASKET	QTY
200150C	2" FEMALE COUPLER X 1 1/2" HOSE BARB	300	EPDM	1

2 1/2" SERIES POLY CAM LEVER COUPLINGS

PART NO	DESCRIPTION	MAX PSI	GASKET	QTY
250CAP	2 1/2" CAP X MALE ADAPTER	300	EPDM	1
250PL	2 1/2" PLUG X FEMALE COUPLER	300	N/A	1

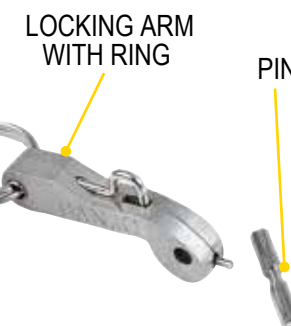
3" SERIES POLY CAM LEVER COUPLINGS

PART NO	DESCRIPTION	MAX PSI	GASKET	QTY
300A	3" MALE ADAPTER X 3" FEMALE THREAD	100	N/A	1
300B	3" FEMALE COUPLER X 3" MALE THREAD	150	EPDM	1
303B	3" FEMALE COUPLER X 3" EXTENDED MALE THREAD	200	EPDM	1
303B200A	3" FEMALE COUPLER W/ 3 ARMS X 2" MALE ADAPTER	200	EPDM	1
300C	3" FEMALE COUPLER X 3" HOSE BARB	200	EPDM	1
303C	3" FEMALE COUPLER W/ 3 ARMS X 3" HOSE BARB	200	EPDM	1
300D	3" FEMALE COUPLER X 3" FEMALE THREAD	200	EPDM	1
300E	3" MALE ADAPTER X 3" HOSE BARB	150	N/A	1
300F	3" MALE ADAPTER X 3" MALE THREAD	100	N/A	1
300CAP	3" CAP X MALE ADAPTER	100	EPDM	1
300PL	3" PLUG X FEMALE COUPLER	150	N/A	1

4" SERIES POLY CAM LEVER COUPLINGS

PART NO	DESCRIPTION	MAX PSI	GASKET	QTY
400A	4" MALE ADAPTER X 4" FEMALE THREAD	75	N/A	1
400B	4" FEMALE COUPLER X 4" MALE THREAD	150	EPDM	1
400C	4" FEMALE COUPLER X 4" HOSE BARB	150	EPDM	1
400D	4" FEMALE COUPLER X 4" FEMALE THREAD	100	EPDM	1
400E	4" MALE ADAPTER X 4" HOSE BARB	50	N/A	1
400F	4" MALE ADAPTER X 4" MALE THREAD	75	N/A	1
400CAP	4" CAP X MALE ADAPTER (W/2 ARMS)	100	EPDM	1
400PL	4" PLUG X FEMALE COUPLER	75	N/A	1

EASY ACTION LOCKING LEVER!



PIN

LOCKING ARM WITH RING

SPOOL ADAPTERS

PART NO	DESCRIPTION	MAX PSI	GASKET	QTY
200FF	2" MALE ADAPTER X 2" MALE ADAPTER	150	N/A	1
300F200F	3" MALE ADAPTER X 2" MALE ADAPTER	75	N/A	1
300FF	3" MALE ADAPTER X 3" MALE ADAPTER	75	N/A	1

REPLACEMENT PARTS

PART NO	DESCRIPTION	QTY
100RING	RING FITS 3/4" & 1"	1
150RING	RING FITS 1 1/2", 2", 3", 4"	1
150(200)K	1 1/2", 2" SS CAM ARM W/RING	1
300K	3" SS CAM ARM WITH RING	1
V20207	11" LANYARD	1
75SHM	3/4" SHIM	1
100SHM	1" SHIM	1
150SHM	1 1/2" SHIM	1
200SHM	2" SHIM	1
300SHM	3" SHIM	1
400SHM	4" SHIM	1
75G	1/2" & 3/4" EPDM GASKET	1
75GV	1/2" & 3/4" FKM GASKET	1
100G	1" & 1 1/4" EPDM GASKET	1
100GV	1" & 1 1/4" FKM GASKET	1
150G	1 1/2" EPDM GASKET	1
150GV	1 1/2" FKM GASKET	1
200G	2" EPDM GASKET	1
200GV	2" FKM GASKET	1
300G	3" EPDM GASKET	1
300GV	3" FKM GASKET	1
400G	4" EPDM GASKET	1
400GV	4" FKM GASKET	1
200KL	2" LOCKING CAM ARM WITH RING FITS 1 1/2" & 2"	1
200PKL	2" COUPLING PIN FITS 1 1/2" & 2"	1
200P	2" COUPLING PIN	1
300P	3" COUPLING PIN	1

1/4"-4" POLYPROPYLENE

FEATURES

- Chemical resistant to protect against corrosion
- Versatile to interchange with all types of cam lever couplings
- Smooth operation makes connections quick and easy
- Where noted, parts must be ordered in bag quantities
- Locking cam arm lever is not intended to be used as a security device or prevent unauthorized opening of coupling assembly.



WARNING! Couplings should not be disconnected under pressure or with liquid in the line.

CAM LEVER COUPLINGS

1½"-2" 90° & 45°
POLYPROPYLENE

FEATURES

- Precision molded in polypropylene, reinforced with fiberglass for strength
- Stainless steel rings, arms and pins resist corrosion
- 90° angle couplings and adapters will reduce the number of elbows and other pipe fittings used in plumbing applications



WARNING! Couplings should not be disconnected under pressure or with liquid in the line.



1½" 90° POLY CAM LEVER COUPLINGS				
PART NO	DESCRIPTION	MAX PSI	GASKET	QTY
150A90	1½" 90° MALE ADAPTER X 1½" FEMALE THREAD	225	N/A	10/BAG
150C90	1½" 90° FEMALE COUPLER X 1½" HOSE BARB	225	EPDM	1
150D90	1½" 90° FEMALE COUPLER X 1½" FEMALE THREAD	300	EPDM	1
150F90	1½" 90° MALE ADAPTER X 1½" MALE THREAD	300	N/A	10/BAG

2" 90° SERIES POLY CAM LEVER COUPLINGS				
PART NO	DESCRIPTION	MAX PSI	GASKET	QTY
200A90	2" 90° MALE ADAPTER X 2" FEMALE THREAD	225	N/A	1
200B90	2" 90° FEMALE COUPLER X 2" MALE THREAD	225	EPDM	1
200C90	2" 90° FEMALE COUPLER X 2" HOSE BARB	225	EPDM	1
200D90	2" 90° FEMALE COUPLER X 2" FEMALE THREAD	200	EPDM	1
200F90	2" 90° MALE ADAPTER X 2" MALE THREAD	225	N/A	1

2" 45° POLY CAM LEVER COUPLINGS				
PART NO	DESCRIPTION	MAX PSI	GASKET	QTY
200F45	2" 45° MALE ADAPTER X 2" MALE THREAD	225	N/A	1

CAM LEVER COUPLINGS

GARDEN HOSE FITTINGS

FEATURES

- Same construction and design that farmers use for their heavy spraying applications.
- Rugged, secure quick-connect cam arms
- Heavy-duty thick wall reinforced polypropylene
- Proven, leak-free construction
- Full flow design



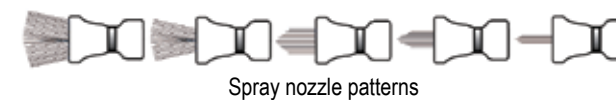
GARDEN HOSE FITTINGS			
PART NO	DESCRIPTION	MAX PSI	QTY
GHFT075A	¾" ADAPTER X ¾" GARDEN HOSE FEMALE THREAD	225	10/BAG
GHMT075B	¾" COUPLER X ¾" GARDEN HOSE MALE THREAD	300	10/BAG
GHFT075D	¾" COUPLER X ¾" GARDEN HOSE FEMALE THREAD	300	10/BAG
GHMT075F	¾" ADAPTER X ¾" GARDEN HOSE MALE THREAD	300	10/BAG
GHFT075MPT	¾" MALE NPT X ¾" GARDEN HOSE FEMALE THREAD	300	10/BAG
GHMT075FPT	¾" FEMALE NPT X ¾" GARDEN HOSE MALE THREAD	300	10/BAG
GHMT075MPT	¾" MALE NPT X ¾" GARDEN HOSE MALE THREAD	300	10/BAG
GHFT075G	¾" GARDEN HOSE FITTING GASKET	N/A	1



GARDEN HOSE NOZZLE

FEATURES

- Heavy duty machined aluminum construction stands up to hard use
- Comfort grip soft rubber
- Resists dents, mars and scratches; protects any surface that comes in contact with nozzle
- Aluminum hose connection provides a tight fit, will not rust
- Multiple spray pattern adjusts from a powerful jet stream to a gentle fan spray. Ideal for all your spraying needs.
- Stainless steel spray cap for precise spray patterns



GARDEN HOSE NOZZLE

PART NO	DESCRIPTION	MAX PSI	QTY
GHN075	¾" GARDEN HOSE SPRAY NOZZLE	N/A	1

SUPER CLAMPS

FEATURES

- Stainless steel construction
- 304 stainless steel bolt with 316 stainless steel nut to prevent seizing
- 360° sealing surface
- Ideal for high torque applications
- Strong, positive connections where ordinary hose clamps fail
- T-bolt design
- 3 spot welds for extra strength
- Sold in bags of 10 only
- Torque specifications: working torque 50-80 inch pounds, maximum torque 125 inch pounds
- Please note new Min-Max Diameter measurements.



SUPER CLAMPS				
PART NO	DESCRIPTION	MIN-MAX DIAMETER	MAX TORQUE	QTY
TC120	1" T-BOLT HOSE CLAMP	1.18"-1.34"	75 IN-LBS	10/BAG
TC130	1¼" T-BOLT HOSE CLAMP	1.34"-1.50"	75 IN-LBS	10/BAG
TC150	1½" T-BOLT HOSE CLAMP	1.50"-1.62"	75 IN-LBS	10/BAG
TC162	1¾" T-BOLT HOSE CLAMP	1.62"-1.87"	75 IN-LBS	10/BAG
TC181	1½" T-BOLT HOSE CLAMP	1.84"-2.12"	75 IN-LBS	10/BAG
TC193	1½" T-BOLT HOSE CLAMP	1.93"-2.24"	75 IN-LBS	10/BAG
TC206	2" T-BOLT HOSE CLAMP	2.17"-2.48"	75 IN-LBS	10/BAG
TC218	2" T-BOLT HOSE CLAMP	2.18"-2.52"	75 IN-LBS	10/BAG
TC224	2" T-BOLT HOSE CLAMP	2.24"-2.58"	75 IN-LBS	10/BAG
TC231	2" T-BOLT HOSE CLAMP	2.31"-2.65"	75 IN-LBS	10/BAG
TC250	2" T-BOLT HOSE CLAMP	2.50"-2.81"	75 IN-LBS	10/BAG
TC287	2" T-BOLT HOSE CLAMP	2.83"-3.21"	75 IN-LBS	10/BAG
TC312	3" T-BOLT HOSE CLAMP	3.24"-3.58"	75 IN-LBS	10/BAG
TC331	3" T-BOLT HOSE CLAMP	3.27"-3.65"	75 IN-LBS	10/BAG
TC343	3" T-BOLT HOSE CLAMP	3.39"-3.77"	75 IN-LBS	10/BAG
TC425	4" T-BOLT HOSE CLAMP	4.21"-4.59"	75 IN-LBS	10/BAG
TC438	4" T-BOLT HOSE CLAMP	4.28"-4.69"	125 IN-LBS	10/BAG
TC456	4" T-BOLT HOSE CLAMP	4.46"-4.87"	125 IN-LBS	10/BAG

TWO BARREL CLAMPS

FEATURES

- Perfect for tight, hard to reach spaces
- Minimizes parts that protrude by tightening together versus tightening away from
- Deep socket tools not required
- 300 stainless steel construction



TWO BARREL CLAMPS				
PART NO	DESCRIPTION	MIN-MAX DIAMETER	MAX TORQUE	QTY
BC090	¾" 300 SS FLOATING BRIDGE W/LOCK WASHER	0.91"-0.98"	75 IN-LBS	1
BC114	1" 300 SS FLOATING BRIDGE W/LOCK WASHER	1.14"-1.22"	75 IN-LBS	1



NIPPLES

PART NO	DESCRIPTION	MAX PSI	QTY
NIP025-SH	¼" SHORT POLY NIPPLE	300	10/BAG
NIP038-SH	⅜" SHORT POLY NIPPLE	300	10/BAG
NIP050-SH	½" SHORT POLY NIPPLE	300	10/BAG
NIP050-3	½" X 3" POLY NIPPLE	300	10/BAG
NIP075-SH	¾" SHORT POLY NIPPLE	300	10/BAG
NIP075-4	¾" X 4" POLY NIPPLE	300	10/BAG
NIP075-6	¾" X 6" POLY NIPPLE	300	10/BAG
NIP100-SH	1" SHORT POLY NIPPLE	300	10/BAG
NIP100-4	1" X 4" POLY NIPPLE	300	10/BAG
NIP100-6	1" X 6" POLY NIPPLE	300	10/BAG
NIP125-SH	1¼" SHORT POLY NIPPLE	300	10/BAG
NIP125-4	1¼" X 4" POLY NIPPLE	300	10/BAG
NIP125-6	1¼" X 6" POLY NIPPLE	300	10/BAG
NIP150-SH	1½" SHORT POLY NIPPLE	300	10/BAG
NIP150-3	1½" X 3" POLY NIPPLE	300	10/BAG
NIP150-4	1½" X 4" POLY NIPPLE	300	10/BAG
NIP150-5	1½" X 5" POLY NIPPLE	300	10/BAG
NIP150-6	1½" X 6" POLY NIPPLE	300	10/BAG
NIP200-SH	2" SHORT POLY NIPPLE	300	10/BAG
NIP200-4	2" X 4" POLY NIPPLE	300	10/BAG
NIP200-6	2" X 6" POLY NIPPLE	300	10/BAG
NIP300-SH	3" SHORT POLY NIPPLE	300	10/BAG
NIP300-4	3" X 4" POLY NIPPLE	300	10/BAG
NIP300-6	3" X 6" POLY NIPPLE	300	1
NIP400-SH	4" SHORT POLY NIPPLE	300	1



REDUCING NIPPLES

PART NO	DESCRIPTION	MAX PSI	QTY
RN050-038	½" X ⅜" POLY REDUCING NIPPLE	300	10/BAG
RN075-050	¾" X ½" POLY REDUCING NIPPLE	300	10/BAG
RN100-050	1" X ½" POLY REDUCING NIPPLE	300	10/BAG
RN100-075	1" X ¾" POLY REDUCING NIPPLE	300	10/BAG
RN125-075	1¼" X ¾" POLY REDUCING NIPPLE	300	10/BAG
RN125-100	1¼" X 1" POLY REDUCING NIPPLE	300	10/BAG
RN150-100	1½" X 1" POLY REDUCING NIPPLE	300	10/BAG
RN150-125	1½" X 1¼" POLY REDUCING NIPPLE	300	10/BAG
RN200-125	2" X 1¼" POLY REDUCING NIPPLE	300	10/BAG
RN200-150	2" X 1½" POLY REDUCING NIPPLE	300	10/BAG
RN300-200	3" X 2" POLY REDUCING NIPPLE	300	1



PIPE COUPLINGS

PART NO	DESCRIPTION	MAX PSI	QTY
CPLG025	¼" POLY PIPE COUPLING	300	10/BAG
CPLG038	⅜" POLY PIPE COUPLING	300	10/BAG
CPLG050	½" POLY PIPE COUPLING	300	10/BAG
CPLG075	¾" POLY PIPE COUPLING	300	10/BAG
CPLG100	1" POLY PIPE COUPLING	300	10/BAG
CPLG125	1¼" POLY PIPE COUPLING	300	10/BAG
CPLG150	1½" POLY PIPE COUPLING	300	10/BAG
CPLG200	2" POLY PIPE COUPLING	300	10/BAG
CPLG300	3" POLY PIPE COUPLING	225	1



REDUCING COUPLINGS

PART NO	DESCRIPTION	MAX PSI	QTY
RC100-075	1" X ¾" POLY REDUCING COUPLING	300	10/BAG
RC150-100	1½" X 1" POLY REDUCING COUPLING	300	10/BAG
RC150-125	1½" X 1¼" POLY REDUCING COUPLING	300	10/BAG
RC200-050	2" X ½" POLY REDUCING COUPLING	300	10/BAG
RC200-100	2" X 1" POLY REDUCING COUPLING	300	10/BAG
RC200-125	2" X 1¼" POLY REDUCING COUPLING	300	10/BAG
RC200-150	2" X 1½" POLY REDUCING COUPLING	300	10/BAG
RC300-200	3" X 2" POLY REDUCING COUPLING	300	1



REDUCING BUSHINGS

PART NO	DESCRIPTION	MAX PSI	QTY
RB038-025	⅜" MPT X ¼" FPT REDUCING BUSHING	300	10/BAG
RB050-025	½" MPT X ¼" FPT REDUCING BUSHING	300	10/BAG
RB050-038	½" MPT X ⅜" FPT REDUCING BUSHING	300	10/BAG
RB075-025	¾" MPT X ¼" FPT REDUCING BUSHING	300	10/BAG
RB075-038	¾" MPT X ⅜" FPT REDUCING BUSHING	300	10/BAG
RB075-050	¾" MPT X ½" FPT REDUCING BUSHING	300	10/BAG
RB100-025	1" MPT X ¼" FPT REDUCING BUSHING	300	10/BAG
RB100-050	1" MPT X ½" FPT REDUCING BUSHING	300	10/BAG
RB100-075	1" MPT X ¾" FPT REDUCING BUSHING	300	10/BAG
RB125-038	1¼" MPT X ⅜" FPT REDUCING BUSHING	300	10/BAG
RB125-075	1¼" MPT X ¾" FPT REDUCING BUSHING	300	10/BAG
RB125-100	1¼" MPT X 1" FPT REDUCING BUSHING	300	10/BAG
RB150-075	1½" MPT X ¾" FPT REDUCING BUSHING	300	10/BAG
RB150-100	1½" MPT X 1" FPT REDUCING BUSHING	300	10/BAG
RB150-125	1½" MPT X 1¼" FPT REDUCING BUSHING	300	10/BAG
RB200-075	2" MPT X ¾" FPT REDUCING BUSHING	300	10/BAG
RB200-100	2" MPT X 1" FPT REDUCING BUSHING	300	10/BAG
RB200-125	2" MPT X 1¼" FPT REDUCING BUSHING	300	10/BAG
RB200-150	2" MPT X 1½" FPT REDUCING BUSHING	300	10/BAG
RB300-150	3" MPT X 1½" FPT REDUCING BUSHING	300	1
RB300-200	3" MPT X 2" FPT REDUCING BUSHING	300	1
RB400-300	4" MPT X 3" FPT REDUCING BUSHING	300	1

PIPE FITTINGS

FEATURES

- Glass reinforced polypropylene
- Heavy duty (Schedule 80)
- Lightweight with excellent strength
- NPT threads
- Excellent chemical resistance
- Where noted, parts must be ordered in bag quantities

PIPE FITTINGS

FEATURES

- Glass reinforced polypropylene
- Heavy duty (Schedule 80)
- Lightweight with excellent strength
- NPT threads
- Excellent chemical resistance
- Where noted, parts must be ordered in bag quantities



PIPE CAPS

PART NO	DESCRIPTION	MAX PSI	QTY
CAP025	1/4" POLY PIPE CAP	300	10/BAG
CAP038	3/8" POLY PIPE CAP	300	10/BAG
CAP050	1/2" POLY PIPE CAP	300	10/BAG
CAP075	3/4" POLY PIPE CAP	300	10/BAG
CAP100	1" POLY PIPE CAP	300	10/BAG
CAP125	1 1/4" POLY PIPE CAP	300	10/BAG
CAP150	1 1/2" POLY PIPE CAP	300	10/BAG
CAP200	2" POLY PIPE CAP	300	10/BAG
CAP300	3" POLY PIPE CAP	300	1



PIPE PLUGS

PART NO	DESCRIPTION	MAX PSI	QTY
PLUG025	1/4" POLY PIPE PLUG	300	10/BAG
PLUG038	3/8" POLY PIPE PLUG	300	10/BAG
PLUG050	1/2" POLY PIPE PLUG	300	10/BAG
PLUG075	3/4" POLY PIPE PLUG	300	10/BAG
PLUG100	1" POLY PIPE PLUG	300	10/BAG
PLUG125	1 1/4" POLY PIPE PLUG	300	10/BAG
PLUG150	1 1/2" POLY PIPE PLUG	300	10/BAG
PLUG200	2" POLY PIPE PLUG	300	10/BAG
PLUG300	3" POLY PIPE PLUG	300	1



HOSE BARB CROSS

PART NO	DESCRIPTION	MAX PSI	QTY
HBC050075	1/2" X 3/4" HOSE BARB CROSS	300	10/BAG



CROSSES

PART NO	DESCRIPTION	MAX PSI	QTY
CR025	1/4" POLY CROSS	300	10/BAG
CR038	3/8" POLY CROSS	300	10/BAG
CR050	1/2" POLY CROSS	300	10/BAG
CR075	3/4" POLY CROSS	300	10/BAG
CR100	1" POLY CROSS	300	10/BAG
CR125	1 1/4" POLY CROSS	300	1
CR150	1 1/2" POLY CROSS	300	1
CR200	2" POLY CROSS	300	1



TEES

PART NO	DESCRIPTION	MAX PSI	QTY
TEE025	1/4" POLY TEE	300	10/BAG
TEE038	3/8" POLY TEE	300	10/BAG
TEE050	1/2" POLY TEE	300	10/BAG
TEE075	3/4" POLY TEE	300	10/BAG
TEE100	1" POLY TEE	300	10/BAG
TEE125	1 1/4" POLY TEE	300	10/BAG
TEE150	1 1/2" POLY TEE	300	1
TEE200	2" POLY TEE	300	1
TEE300	3" POLY TEE	225	1



GAUGE PORT TEE

PART NO	DESCRIPTION	MAX PSI	QTY
TEG075	3/4" POLY TEE W/ 1/4" FEMALE THREAD	300	10/BAG
TEG100	1" POLY TEE W/ 1/4" FEMALE THREAD	300	10/BAG



90° ELBOWS

PART NO	DESCRIPTION	MAX PSI	QTY
EL025-90	1/4" 90° POLY ELBOW	300	10/BAG
EL038-90	3/8" 90° POLY ELBOW	300	10/BAG
EL050-90	1/2" 90° POLY ELBOW	300	10/BAG
EL075-90	3/4" 90° POLY ELBOW	300	10/BAG
EL100-90	1" 90° POLY ELBOW	300	10/BAG
EL125-90	1 1/4" 90° POLY ELBOW	300	10/BAG
EL150-90	1 1/2" 90° POLY ELBOW	300	10/BAG
EL200-90	2" 90° POLY ELBOW	300	1
EL300-90	3" 90° POLY ELBOW	300	1



45° ELBOW

PART NO	DESCRIPTION	MAX PSI	QTY
EL100-45	1" 45° POLY ELBOW	300	10/BAG



90° STREET ELBOWS

PART NO	DESCRIPTION	MAX PSI	QTY
SL025-90	1/4" 90° POLY STREET ELBOW	300	10/BAG
SL038-90	3/8" 90° POLY STREET ELBOW	300	10/BAG
SL050-90	1/2" 90° POLY STREET ELBOW	300	10/BAG
SL075-90	3/4" 90° POLY STREET ELBOW	300	10/BAG
SL100-90	1" 90° POLY STREET ELBOW	300	10/BAG
SL125-90	1 1/4" 90° POLY STREET ELBOW	300	10/BAG
SL150-90	1 1/2" 90° POLY STREET ELBOW	300	10/BAG
SL200-90	2" 90° POLY STREET ELBOW	300	10/BAG
SL300-90	3" 90° POLY STREET ELBOW	300	1



45° STREET ELBOWS

PART NO	DESCRIPTION	MAX PSI	QTY
SL075-45	3/4" 45° POLY STREET ELBOW	300	10/BAG
SL100-45	1" 45° POLY STREET ELBOW	300	10/BAG
SL125-45	1 1/4" 45° POLY STREET ELBOW	300	10/BAG
SL150-45	1 1/2" 45° POLY STREET ELBOW	300	10/BAG
SL200-45	2" 45° POLY STREET ELBOW	225	10/BAG
SL300-45	3" 45° POLY STREET ELBOW	300	1



90° HOSE BARB ELBOW

PART NO	DESCRIPTION	MAX PSI	QTY
HBB20012590	2" X 1 1/4" 90° POLY HOSE BARB ELBOW	300	10/BAG



90° HOSE BARB ELBOW

PART NO	DESCRIPTION	MAX PSI	QTY
HBEL100-90	1" 90° POLY HOSE BARB ELBOW	300	10/BAG
HBEL150/100-90	1 1/2" X 1" 90° POLY HOSE BARB ELBOW	300	1

PIPE FITTINGS

FEATURES

- Glass reinforced polypropylene
- Heavy duty (Schedule 80)
- Lightweight with excellent strength
- NPT threads
- Excellent chemical resistance
- Where noted, parts must be ordered in bag quantities

HOSE BARBS



FEATURES

- Glass reinforced polypropylene
- Heavy duty (Schedule 80)
- Lightweight with excellent strength
- NPT threads
- Excellent chemical resistance
- Where noted, parts must be ordered in bag quantities

STRAIGHT HOSE BARBS			
PART NO	DESCRIPTION	MAX PSI	QTY
HB025	1/4" MALE THREAD X 1/4" HOSE BARB	300	10/BAG
HB025-038	1/4" MALE THREAD X 3/8" HOSE BARB	300	10/BAG
HB025-050	1/4" MALE THREAD X 1/2" HOSE BARB	300	10/BAG
HB038	3/8" MALE THREAD X 3/8" HOSE BARB	300	10/BAG
HB038-050	3/8" MALE THREAD X 1/2" HOSE BARB	300	10/BAG
HB050-025	1/2" MALE THREAD X 1/4" HOSE BARB	300	10/BAG
HB050-038	1/2" MALE THREAD X 3/8" HOSE BARB	300	10/BAG
HB050	1/2" MALE THREAD X 1/2" HOSE BARB	300	10/BAG
HB050-075	1/2" MALE THREAD X 3/4" HOSE BARB	300	10/BAG
HB075-038	3/4" MALE THREAD X 3/8" HOSE BARB	300	10/BAG
HB075-050	3/4" MALE THREAD X 1/2" HOSE BARB	300	10/BAG
HB075-058	3/4" MALE THREAD X 5/8" HOSE BARB	300	10/BAG
HB075	3/4" MALE THREAD X 3/4" HOSE BARB	300	10/BAG
HB075-100	3/4" MALE THREAD X 1" HOSE BARB	300	10/BAG
HB100-075	1" MALE THREAD X 3/4" HOSE BARB	300	10/BAG
HB100	1" MALE THREAD X 1" HOSE BARB	300	10/BAG
HB100-125	1" MALE THREAD X 1 1/4" HOSE BARB	300	10/BAG
HB125-075	1 1/4" MALE THREAD X 3/4" HOSE BARB	300	10/BAG
HB125-100	1 1/4" MALE THREAD X 1" HOSE BARB	300	10/BAG
HB125	1 1/4" MALE THREAD X 1 1/4" HOSE BARB	300	10/BAG
HB125-150	1 1/4" MALE THREAD X 1 1/2" HOSE BARB	300	10/BAG
HB150-100	1 1/2" MALE THREAD X 1" HOSE BARB	300	10/BAG
HB150-125	1 1/2" MALE THREAD X 1 1/4" HOSE BARB	300	10/BAG
HB150	1 1/2" MALE THREAD X 1 1/2" HOSE BARB	300	10/BAG
HB150-200	1 1/2" MALE THREAD X 2" HOSE BARB	300	10/BAG
HB200-150	2" MALE THREAD X 1 1/2" HOSE BARB	300	10/BAG
HB200	2" MALE THREAD X 2" HOSE BARB	300	10/BAG
HB300	3" MALE THREAD X 3" HOSE BARB	225	1
HB400	4" MALE THREAD X 4" HOSE BARB	150	1



90° HOSE BARBS			
PART NO	DESCRIPTION	MAX PSI	QTY
HB025-90	1/4" MALE THREAD X 1/4" 90° HOSE BARB	300	10/BAG
HB025/038-90	1/4" MALE THREAD X 3/8" 90° HOSE BARB	300	10/BAG
HB025/050-90	1/4" MALE THREAD X 1/2" 90° HOSE BARB	300	10/BAG
HB038-90	3/8" MALE THREAD X 3/8" 90° HOSE BARB	300	10/BAG
HB050/038-90	1/2" MALE THREAD X 3/8" 90° HOSE BARB	300	10/BAG
HB050-90	1/2" MALE THREAD X 1/2" 90° HOSE BARB	300	10/BAG
HB050/075-90	1/2" MALE THREAD X 3/4" 90° HOSE BARB	300	10/BAG
HB075/050-90	3/4" MALE THREAD X 1/2" 90° HOSE BARB	300	10/BAG
HB075-90	3/4" MALE THREAD X 3/4" 90° HOSE BARB	300	10/BAG
HB075/100-90	3/4" MALE THREAD X 1" 90° HOSE BARB	300	10/BAG
HB100/075-90	1" MALE THREAD X 3/4" 90° HOSE BARB	300	10/BAG
HB100-90	1" MALE THREAD X 1" 90° HOSE BARB	300	10/BAG
HB100/125-90	1" MALE THREAD X 1 1/4" 90° HOSE BARB	300	10/BAG
HB125/100-90	1 1/4" MALE THREAD X 1" 90° HOSE BARB	300	10/BAG
HB125-90	1 1/4" MALE THREAD X 1 1/4" 90° HOSE BARB	300	10/BAG
HB125/150-90	1 1/4" MALE THREAD X 1 1/2" 90° HOSE BARB	300	10/BAG
HB150/125-90	1 1/2" MALE THREAD X 1 1/4" 90° HOSE BARB	300	10/BAG
HB150-90	1 1/2" MALE THREAD X 1 1/2" 90° HOSE BARB	300	10/BAG
HB200/150-90	2" MALE THREAD X 1 1/2" 90° HOSE BARB	300	10/BAG
HB200-90	2" MALE THREAD X 2" 90° HOSE BARB	300	10/BAG
HB300-90	3" MALE THREAD X 3" 90° HOSE BARB	225	1



316 STAINLESS STEEL HOSE BARBS			
PART NO	DESCRIPTION	MAX PSI	QTY
HB025SS	1/4" MALE THREAD X 1/4" HOSE BARB	300	1
HB025-038SS	1/4" MALE THREAD X 3/8" HOSE BARB	300	1
HB025-050SS	1/4" MALE THREAD X 1/2" HOSE BARB	300	1
HB038SS	3/8" MALE THREAD X 3/8" HOSE BARB	300	1
HB038-050SS	3/8" MALE THREAD X 1/2" HOSE BARB	300	1
HB050SS	1/2" MALE THREAD X 1/2" HOSE BARB	300	1
HB050-058SS	1/2" MALE THREAD X 5/8" HOSE BARB	300	1
HB050-075SS	1/2" MALE THREAD X 3/4" HOSE BARB	300	1
HB075-050SS	3/4" MALE THREAD X 1/2" HOSE BARB	300	1
HB075SS	3/4" MALE THREAD X 3/4" HOSE BARB	300	1
HB075-100SS	3/4" MALE THREAD X 1" HOSE BARB	300	1
HB100-075SS	1" MALE THREAD X 3/4" HOSE BARB	300	1
HB100SS	1" MALE THREAD X 1" HOSE BARB	300	1
HB125SS	1 1/4" MALE THREAD X 1 1/4" HOSE BARB	300	1
HB150SS	1 1/2" MALE THREAD X 1 1/2" HOSE BARB	300	1
HB200SS	2" MALE THREAD X 2" HOSE BARB	300	1
HB300SS	3" MALE THREAD X 3" HOSE BARB	300	1



FEMALE HOSE BARBS			
PART NO	DESCRIPTION	MAX PSI	QTY
HBF075	3/4" FEMALE THREAD X 3/4" HOSE BARB	300	10/BAG
HBF075-90	3/4" FEMALE THREAD X 3/4" 90° HOSE BARB	300	10/BAG
HBF075-100	3/4" FEMALE THREAD X 1" HOSE BARB	300	10/BAG
HBF100	1" FEMALE THREAD X 1" HOSE BARB	300	10/BAG
HBF100-90	1" FEMALE THREAD X 1" 90° HOSE BARB	300	10/BAG



HOSE BARB TEES			
PART NO	DESCRIPTION	MAX PSI	QTY
HBT025	1/4" HOSE BARB TEE	300	10/BAG
HBT038	3/8" HOSE BARB TEE	300	10/BAG
HBT050	1/2" HOSE BARB TEE	300	10/BAG
HBT050-075	1/2" X 1/2" X 3/4" HOSE BARB TEE	300	10/BAG
HBT075-050	3/4" X 3/4" X 1/2" HOSE BARB TEE	300	10/BAG
HBT075	3/4" HOSE BARB TEE	300	10/BAG
HBT075-100	3/4" X 3/4" X 1" HOSE BARB TEE	300	10/BAG
HBT100-075	1" X 1" X 3/4" HOSE BARB TEE	300	10/BAG
HBT100	1" HOSE BARB TEE	300	10/BAG
HBT200	2" HOSE BARB TEE	300	1
HBT300	3" HOSE BARB TEE	300	1



HOSE BARB THREADED TEES			
PART NO	DESCRIPTION	MAX PSI	QTY
HBT100-100	1" HOSE BARB X 1" HOSE BARB X 1" MALE THREAD HOSE BARB TEE	300	10/BAG
HBT150-100	1 1/2" HOSE BARB X 1 1/2" HOSE BARB X 1" MALE THREAD HOSE BARB TEE	300	1
HBT150-150	1 1/2" HOSE BARB X 1 1/2" HOSE BARB X 1 1/2" MALE THREAD HOSE BARB TEE	300	1



SS HOSE BARB THREADED TEES			
PART NO	DESCRIPTION	MAX PSI	QTY
HBT075-050SS	3/4" HOSE BARB X 3/4" HOSE BARB X 1/2" HOSE BARB TEE	150	1



HOSE MENDERS			
PART NO	DESCRIPTION	MAX PSI	QTY
HM025	1/4" X 1/4" HOSE BARB	300	10/BAG
HM038	3/8" X 3/8" HOSE BARB	300	10/BAG
HM050	1/2" X 1/2" HOSE BARB	300	10/BAG
HM075	3/4" X 3/4" HOSE BARB	300	10/BAG
HM100	1" X 1" HOSE BARB	300	10/BAG
HM125	1 1/4" X 1 1/4" HOSE BARB	300	10/BAG
HM150	1 1/2" X 1 1/2" HOSE BARB	300	10/BAG
HM200	2" X 2" HOSE BARB	300	10/BAG
HM300	3" X 3" HOSE BARB	300	1



SWIVELS			
PART NO	DESCRIPTION	MAX PSI	QTY
SW100	1" MALE X 1" FEMALE SWIVEL	300	1
SW150	1 1/2" MALE X 1 1/2" FEMALE SWIVEL	300	1
SW220	2" FULL PORT MALE X 2" FULL PORT FEMALE SWIVEL	150	1



8 STATION MANIFOLD			
PART NO	DESCRIPTION	MAX PSI	QTY
TM075/050	8 STATION MANIFOLD 3/4" INLET X 1/2" OUTLET, 1/4" GAUGE PORT	225	1

Recommended procedure for sealing pipe threads:

We DO NOT recommend using pipe tape. Pipe tape enlarges the outside diameter of the male thread and may cause the female thread to split. We recommend using a pipe thread sealant. Use on clean tapered threads. Apply a thick even coat on male threads using brush applicator. For pipe diameters smaller than 1 1/4" apply to male threads only. For 1 1/4" and larger sizes apply to both male and female threads. Avoid applying excessive amounts. Hand tighten joints and then torque another 1/2 to 3/4 turn until threads seal.



PIPE SEALANT		
PART NO	DESCRIPTION	QTY
RS21	RECTORSEAL® NO. 21™ (8 OZ W/ BRUSH IN CAP-24/CASE)	1
RSTB	RECTORSEAL® TRU-BLU™ (8 OZ W/ BRUSH IN CAP-24/CASE)	1

PIPE FITTINGS

FEATURES

- Glass reinforced polypropylene
- Heavy duty (Schedule 80)
- Lightweight with excellent strength
- NPT threads
- Excellent chemical resistance
- Where noted, parts must be ordered in bag quantities

PIPE SEALANT

FEATURES

- RectorSeal® No. 21™ is slow drying, soft set multi-purpose sealant designed for use where black is preferred. 8 oz can with brush in the cap. Conforms to TT-S-1732.
- RectorSeal® Tru-Blu™ is fast drying, flexible set designed for high vibration environments. Teflon™ has been added to enhance thread lubrication during assembly and break out. Conforms to TT-S-1732.

MINI T STRAINERS

FEATURES

- Heavy duty glass reinforced polypropylene
- Clear bowl made of polycarbonate
- Black bowl made of polypropylene
- Polypropylene ribbed 316 stainless steel screens
- EPDM gaskets
- Convenient color coded screens for easy mesh size identification (Refer to chart on next page)



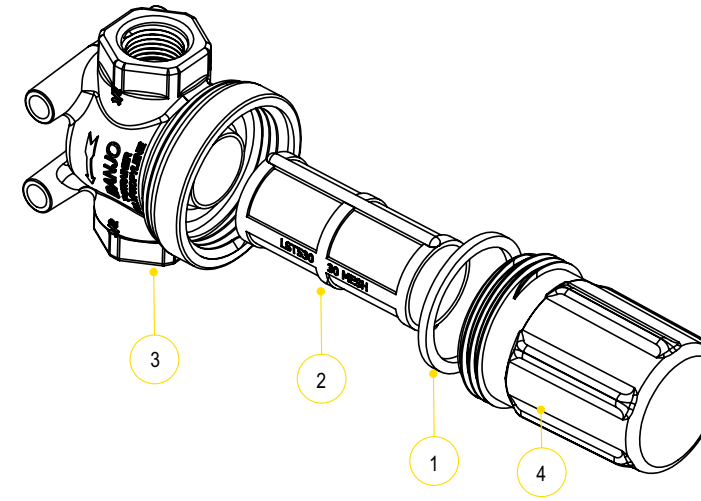
MINI T STRAINERS W/CLEAR BOWLS

PART NO	DESCRIPTION	MAX PSI	QTY
LSTM050-30C	1/2" X 1/2" CLEAR BOWL STRAINER W/30 MESH SCREEN	100	1
LSTM050-50C	1/2" X 1/2" CLEAR BOWL STRAINER W/50 MESH SCREEN	100	1
LSTM050-80C	1/2" X 1/2" CLEAR BOWL STRAINER W/80 MESH SCREEN	100	1
LSTM050-100C	1/2" X 1/2" CLEAR BOWL STRAINER W/100 MESH SCREEN	100	1
LSTM075-30C	3/4" X 3/4" CLEAR BOWL STRAINER W/30 MESH SCREEN	100	1
LSTM075-50C	3/4" X 3/4" CLEAR BOWL STRAINER W/50 MESH SCREEN	100	1
LSTM075-80C	3/4" X 3/4" CLEAR BOWL STRAINER W/80 MESH SCREEN	100	1
LSTM075-100C	3/4" X 3/4" CLEAR BOWL STRAINER W/100 MESH SCREEN	100	1



MINI T STRAINERS W/BLACK BOWLS

PART NO	DESCRIPTION	MAX PSI	QTY
LSTM050-30	1/2" X 1/2" BLACK BOWL STRAINER W/30 MESH SCREEN	200	1
LSTM050-50	1/2" X 1/2" BLACK BOWL STRAINER W/50 MESH SCREEN	200	1
LSTM050-80	1/2" X 1/2" BLACK BOWL STRAINER W/80 MESH SCREEN	200	1
LSTM050-100	1/2" X 1/2" BLACK BOWL STRAINER W/100 MESH SCREEN	200	1
LSTM075-30	3/4" X 3/4" BLACK BOWL STRAINER W/30 MESH SCREEN	200	1
LSTM075-50	3/4" X 3/4" BLACK BOWL STRAINER W/50 MESH SCREEN	200	1
LSTM075-80	3/4" X 3/4" BLACK BOWL STRAINER W/80 MESH SCREEN	200	1
LSTM075-100	3/4" X 3/4" BLACK BOWL STRAINER W/100 MESH SCREEN	200	1



REPLACEMENT PARTS

ITEM	PART NO	DESCRIPTION	QTY
1	LSTM050G	EPDM GASKET	1
2	LST530	30 MESH SCREEN	1
2	LST550	50 MESH SCREEN	1
2	LST580	80 MESH SCREEN	1
2	LST5100	100 MESH SCREEN	1
3	LSTM050H	1/2" STRAINER HEAD	1
3	LSTM075H	3/4" STRAINER HEAD	1
4	LSTM050BC	CLEAR BOWL	1
4	LSTM050B	BLACK BOWL	1

STANDARD MESHES & DATA

	30 MESH	50 MESH	80 MESH	100 MESH
MICRONS	595	297	177	149
WIRE DIAMETER	.012	.009	.0055	.0045
OPENING	.021	.011	.007	.005
% OPEN AREA	40.8	30.3	31.4	30.3

MINI T STRAINERS

SCREENS

MESH SIZE	RIB COLOR
30 MESH	FLAME RED
50 MESH	GENTIAN BLUE
80 MESH	ZINC YELLOW
100 MESH	TRAFFIC GREEN

3/4"-1 1/2" T STRAINERS

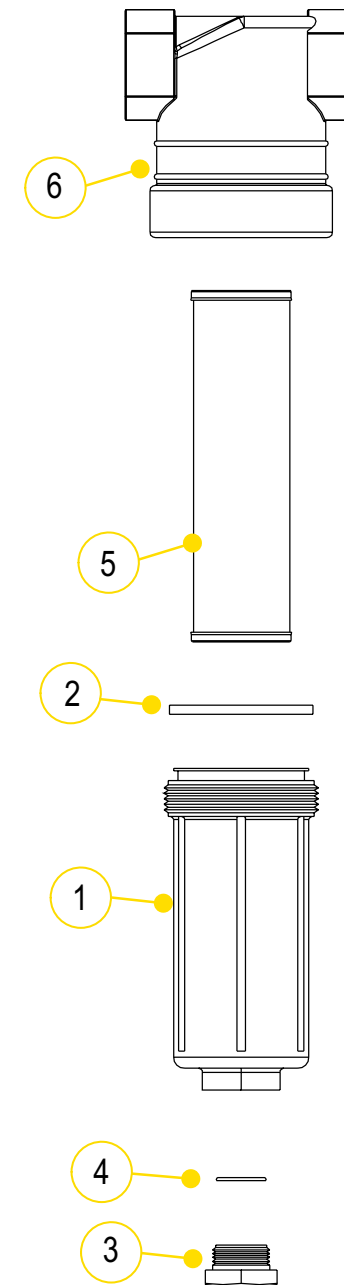
FEATURES

- Heavy duty glass reinforced polypropylene
- Clean out plug
- Polypropylene ribbed 316 stainless steel screens
- EPDM gaskets standard, FKM available
- Convenient color coded screens for easy mesh size identification (Refer to chart on next page)



3/4"-1" T STRAINERS				
PART NO	DESCRIPTION	MAX PSI	QTY	
LST075-16	3/4" X 3/4" FP T STRAINER W/16 MESH SS SCREEN	300	1	
LST075-30	3/4" X 3/4" FP T STRAINER W/30 MESH SS SCREEN	300	1	
LST075-50	3/4" X 3/4" FP T STRAINER W/50 MESH SS SCREEN	300	1	
LST075-80	3/4" X 3/4" FP T STRAINER W/80 MESH SS SCREEN	300	1	
LST075-100	3/4" X 3/4" FP T STRAINER W/100 MESH SS SCREEN	300	1	
LST100-16	1" X 1" T STRAINER W/16 MESH SS SCREEN	300	1	
LST100-30	1" X 1" T STRAINER W/30 MESH SS SCREEN	300	1	
LST100-50	1" X 1" T STRAINER W/50 MESH SS SCREEN	300	1	
LST100-80	1" X 1" T STRAINER W/80 MESH SS SCREEN	300	1	
LST100-100	1" X 1" T STRAINER W/100 MESH SS SCREEN	300	1	

1 1/4"-1 1/2" T STRAINERS				
PART NO	DESCRIPTION	MAX PSI	QTY	
LST125-16	1 1/4" X 1 1/4" FP T STRAINER W/16 MESH SS SCREEN	300	1	
LST125-30	1 1/4" X 1 1/4" FP T STRAINER W/30 MESH SS SCREEN	300	1	
LST125-50	1 1/4" X 1 1/4" FP T STRAINER W/50 MESH SS SCREEN	300	1	
LST125-80	1 1/4" X 1 1/4" FP T STRAINER W/80 MESH SS SCREEN	300	1	
LST125-100	1 1/4" X 1 1/4" FP T STRAINER W/100 MESH SS SCREEN	300	1	
LST150-16	1 1/2" X 1 1/2" T STRAINER W/16 MESH SS SCREEN	300	1	
LST150-30	1 1/2" X 1 1/2" T STRAINER W/30 MESH SS SCREEN	300	1	
LST150-50	1 1/2" X 1 1/2" T STRAINER W/50 MESH SS SCREEN	300	1	
LST150-80	1 1/2" X 1 1/2" T STRAINER W/80 MESH SS SCREEN	300	1	
LST150-100	1 1/2" X 1 1/2" T STRAINER W/100 MESH SS SCREEN	300	1	



REPLACEMENT PARTS			
ITEM	PART NO	DESCRIPTION	QTY
1	LST100-B	3/4" & 1" BOWL (CONTAINS #1, #3, #4)	1
2	LST100-G	3/4" & 1" EPDM GASKET	1
2	LST100-GV	3/4" & 1" FKM GASKET	1
3	12777	1/2" PLUG	1
4	UV15163	EPDM O-RING FOR CLEAN OUT PLUG	1
5	LST116	16 MESH SCREEN	1
5	LST130	30 MESH SCREEN	1
5	LST150	50 MESH SCREEN	1
5	LST180	80 MESH SCREEN	1
5	LST1100	100 MESH SCREEN	1
6	LST075-H	3/4" STRAINER HEAD	1
6	LST100-H	1" STRAINER HEAD	1
N/S	LST075-HB	3/4" STRAINER HEAD, BOWL & GASKET	1
N/S	LST100-HB	1" STRAINER HEAD, BOWL & GASKET	1

REPLACEMENT PARTS			
ITEM	PART NO	DESCRIPTION	QTY
1	LST150-B	1 1/4" & 1 1/2" BOWL (CONTAINS #1, #3, #4)	1
2	LST150-G	1 1/4" & 1 1/2" EPDM GASKET	1
2	LST150-GV	1 1/4" & 1 1/2" FKM GASKET	1
3	LSQ200-PL	1" CLEAN OUT PLUG	1
4	LSQ200-R	EPDM O-RING FOR CLEAN OUT PLUG	1
5	LST1516	16 MESH SCREEN	1
5	LST1530	30 MESH SCREEN	1
5	LST1550	50 MESH SCREEN	1
5	LST1580	80 MESH SCREEN	1
5	LST15100	100 MESH SCREEN	1
6	LST125-H	1 1/4" STRAINER HEAD	1
6	LST150-H	1 1/2" STRAINER HEAD	1
N/S	LST125-HB	1 1/4" STRAINER HEAD, BOWL & GASKET	1
N/S	LST150-HB	1 1/2" STRAINER HEAD, BOWL & GASKET	1

STANDARD MESHES & DATA					
	16 MESH	30 MESH	50 MESH	80 MESH	100 MESH
MICRONS	1190	595	297	177	149
WIRE DIAMETER	.018	.012	.009	.0055	.0045
OPENING	.044	.021	.011	.007	.005
% OPEN AREA	50.7	40.8	30.3	31.4	30.3

3/4"-1 1/2" T STRAINERS

SCREENS	
MESH SIZE	RIB COLOR
16 MESH	BROWN RED
30 MESH	FLAME RED
50 MESH	GENTIAN BLUE
80 MESH	ZINC YELLOW
100 MESH	TRAFFIC GREEN

LINE STRAINERS

LINE STRAINERS

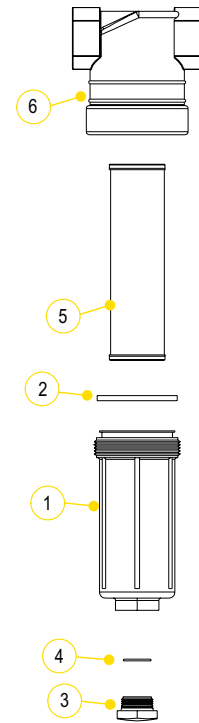
2" T STRAINERS POLY/STAINLESS COMBO



FEATURES

- Heavy duty glass reinforced polypropylene bowl
- 316 stainless steel head
- Clean out plug
- 316 stainless steel screens
- FKM gaskets

2" T STRAINERS POLY/SS COMBO				
PART NO	DESCRIPTION	MAX PSI	QTY	
LST200-10SS	2" X 2" T STRAINER (SS HEAD & POLY BODY) W/10 MESH SCREEN	300	1	
LST200-16SS	2" X 2" T STRAINER (SS HEAD & POLY BODY) W/16 MESH SCREEN	300	1	
LST200-30SS	2" X 2" T STRAINER (SS HEAD & POLY BODY) W/30 MESH SCREEN	300	1	
LST200-50SS	2" X 2" T STRAINER (SS HEAD & POLY BODY) W/50 MESH SCREEN	300	1	
LST200-80SS	2" X 2" T STRAINER (SS HEAD & POLY BODY) W/80 MESH SCREEN	300	1	



REPLACEMENT PARTS			
ITEM	PART NO	DESCRIPTION	QTY
1	LST200-B	2" POLY BOWL (CONTAINS #1, #3, #4)	1
2	LST200-GV	2" FKM GASKET	1
3	LSQ200-PL	1" CLEAN OUT PLUG	1
4	LSQ200-RV	FKM O-RING FOR CLEAN OUT PLUG	1
5	LST204SS	4 MESH SS SCREEN	1
5	LST206SS	6 MESH SS SCREEN	1
5	LST208SS	8 MESH SS SCREEN	1
5	LST210SS	10 MESH SS SCREEN	1
5	LST216SS	16 MESH SS SCREEN	1
5	LST230SS	30 MESH SS SCREEN	1
5	LST250SS	50 MESH SS SCREEN	1
5	LST280SS	80 MESH SS SCREEN	1
6	LST200-HSS	2" SS HEAD	1
N/S	LST200-HBSS	2" SS HEAD, POLY BOWL & GASKET	1

2" T STRAINERS POLY/STAINLESS COMBO

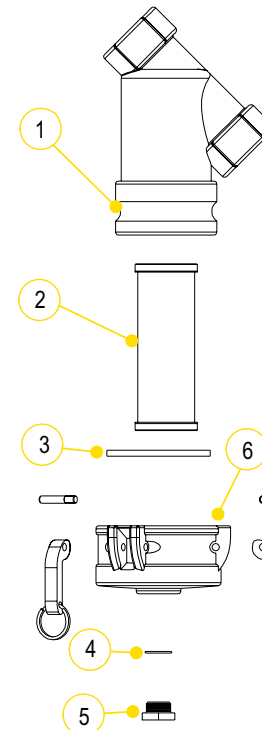
LSQ STRAINERS

FEATURES

- Precision molded in glass reinforced polypropylene
- Cam lever configuration for easy access for cleaning and servicing
- 3/4" plug in cam lever cap for attaching ball valve for draining or back flushing
- Poly ribbed 316 stainless steel screen
- EPDM lathe cut gasket
- FKM gaskets available
- For faster shipping, order in box quantities
- Convenient color coded screens for easy mesh size identification (Refer to chart on next page)



1 1/2" LSQ STRAINERS				
PART NO	DESCRIPTION	MAX PSI	QTY	
LSQ150-06	1 1/2" X 1 1/2" LSQ STRAINER W/6 MESH SCREEN	100	6/BOX	
LSQ150-12	1 1/2" X 1 1/2" LSQ STRAINER W/12 MESH SCREEN	100	6/BOX	
LSQ150-20	1 1/2" X 1 1/2" LSQ STRAINER W/20 MESH SCREEN	100	6/BOX	
LSQ150-30	1 1/2" X 1 1/2" LSQ STRAINER W/30 MESH SCREEN	100	6/BOX	
LSQ150-50	1 1/2" X 1 1/2" LSQ STRAINER W/50 MESH SCREEN	100	6/BOX	
LSQ150-80	1 1/2" X 1 1/2" LSQ STRAINER W/80 MESH SCREEN	100	6/BOX	
LSQ150-120	1 1/2" X 1 1/2" LSQ STRAINER W/120 MESH SCREEN	100	6/BOX	



REPLACEMENT PARTS			
ITEM	PART NO	DESCRIPTION	QTY
1	LSQ150-B	1 1/2" LSQ BODY	1
1	LSQ200-B	2" LSQ BODY	1
2	LS206	6 MESH SCREEN	1
2	LS212	12 MESH SCREEN	1
2	LS220	20 MESH SCREEN	1
2	LS230	30 MESH SCREEN	1
2	LS250	50 MESH SCREEN	1
2	LS280	80 MESH SCREEN	1
2	LS2120	120 MESH SCREEN	1
3	LSQ200-G	2" EPDM GASKET	1
3	LSQ200-GV	2" FKM GASKET	1
4	LSQ200R1	O-RING	1
5	PLUG075S	3/4" CLEAN OUT PLUG	1
6	LSQ200-C	2" CAP (CONTAINS #3-6)	1

2" LSQ STRAINERS				
PART NO	DESCRIPTION	MAX PSI	QTY	
LSQ200-06	2" X 2" LSQ STRAINER W/6 MESH SCREEN	100	6/BOX	
LSQ200-12	2" X 2" LSQ STRAINER W/12 MESH SCREEN	100	6/BOX	
LSQ200-20	2" X 2" LSQ STRAINER W/20 MESH SCREEN	100	6/BOX	
LSQ200-30	2" X 2" LSQ STRAINER W/30 MESH SCREEN	100	6/BOX	
LSQ200-50	2" X 2" LSQ STRAINER W/50 MESH SCREEN	100	6/BOX	
LSQ200-80	2" X 2" LSQ STRAINER W/80 MESH SCREEN	100	6/BOX	
LSQ200-120	2" X 2" LSQ STRAINER W/120 MESH SCREEN	100	6/BOX	

STANDARD MESHES & DATA											
	6 MESH	8 MESH	10 MESH	12 MESH	16 MESH	20 MESH	30 MESH	50 MESH	80 MESH	100 MESH	120 MESH
MICRONS	3360	2380	2000	1680	1190	841	595	297	177	149	125
WIRE DIAMETER	.035	.028	.025	.023	.018	.016	.012	.009	.0055	.0045	.0037
OPENING	.132	.097	.075	.060	.044	.034	.021	.011	.007	.005	.0046
% OPEN AREA	62.7	60.2	56.3	51.8	50.7	46.2	40.8	30.3	31.4	30.3	30.5

LSQ STRAINERS

SCREENS	
MESH SIZE	RIB COLOR
6 MESH	WHITE
12 MESH	BLACK
20 MESH	BEIGE
30 MESH	FLAME RED
50 MESH	GENTIAN BLUE
80 MESH	ZINC YELLOW
120 MESH	BLACK

1/2"-1 1/4" Y STRAINERS

FEATURES

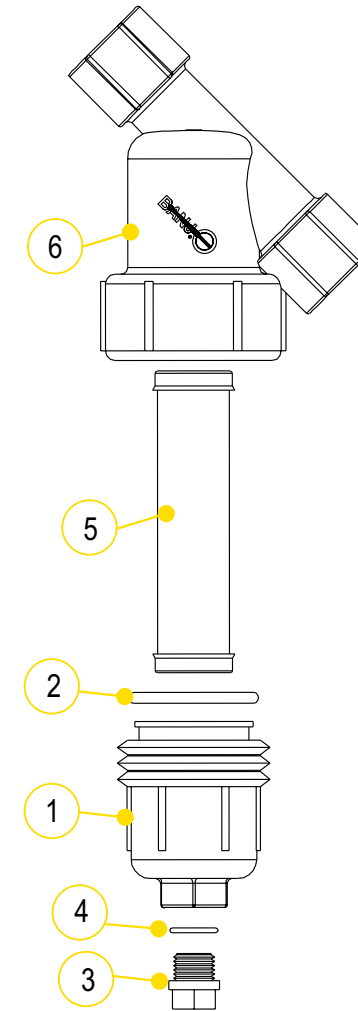
- Heavy duty glass reinforced polypropylene
- Corrosion resistant
- Easy grip end cap
- Heavy duty end cap threads
- Clean out plug
- Polypropylene ribbed 316 stainless steel screens
- EPDM gaskets
- Convenient color coded screens for easy mesh size identification (Refer to chart on next page)



1/2" - 3/4" Y STRAINERS			
PART NO	DESCRIPTION	MAX PSI	QTY
LS050-20	1/2" X 1/2" FP Y STRAINER W/20 MESH SS SCREEN	225	1
LS050-40	1/2" X 1/2" FP Y STRAINER W/40 MESH SS SCREEN	225	1
LS050-80	1/2" X 1/2" FP Y STRAINER W/80 MESH SS SCREEN	225	1
LS075-20	3/4" X 3/4" Y STRAINER W/20 MESH SS SCREEN	225	1
LS075-40	3/4" X 3/4" Y STRAINER W/40 MESH SS SCREEN	225	1
LS075-80	3/4" X 3/4" Y STRAINER W/80 MESH SS SCREEN	225	1



1" - 1 1/4" Y STRAINERS			
PART NO	DESCRIPTION	MAX PSI	QTY
LS100-20	1" X 1" Y STRAINER W/20 MESH SS SCREEN	200	1
LS100-40	1" X 1" Y STRAINER W/40 MESH SS SCREEN	200	1
LS100-80	1" X 1" Y STRAINER W/80 MESH SS SCREEN	200	1
LS125-20	1 1/4" X 1 1/4" Y STRAINER W/20 MESH SS SCREEN	200	1
LS125-40	1 1/4" X 1 1/4" Y STRAINER W/40 MESH SS SCREEN	200	1
LS125-80	1 1/4" X 1 1/4" Y STRAINER W/80 MESH SS SCREEN	200	1



REPLACEMENT PARTS			
ITEM	PART NO	DESCRIPTION	QTY
1	LS075-C1	1/2"-3/4" END CAP (CONTAINS #1, #3, #4)	1
2	LS075-G	1/2"-3/4" O-RING	1
3	12723	1/4" DRAIN PLUG (FITS 1/2"-3/4")	1
4	12724	1/2"-3/4" EPDM O-RING FOR DRAIN PLUG	1
5	LS720	1/2"-3/4" 20 MESH SCREEN	1
5	LS740	1/2"-3/4" 40 MESH SCREEN	1
5	LS760	1/2"-3/4" 60 MESH SCREEN	1
5	LS780	1/2"-3/4" 80 MESH SCREEN	1
6	LS050-B	1/2" Y BODY	1
6	LS075-B	3/4" Y BODY	1
N/S	LS050B/C1	1/2" Y BODY, CAP & GASKET	1
N/S	LS075B/C1	3/4" Y BODY, CAP & GASKET	1

REPLACEMENT PARTS			
ITEM	PART NO	DESCRIPTION	QTY
1	LS100-C1	1"-1 1/4" END CAP (CONTAINS #1, #3, #4)	1
2	LS100-G	1"-1 1/4" O-RING	1
2	LS100-GV	1"-1 1/4" FKM GASKET	1
3	12777	1/2" PLUG (FITS 1"-1 1/4")	1
4	UV15163	EPDM O-RING FOR DRAIN PLUG	1
4	UV15163V	FKM O-RING FOR DRAIN PLUG	1
5	LS120	1"-1 1/4" 20 MESH SCREEN	1
5	LS140	1"-1 1/4" 40 MESH SCREEN	1
5	LS180	1"-1 1/4" 80 MESH SCREEN	1
6	LS100-B	1" Y BODY	1
6	LS125-B	1 1/4" Y BODY	1
N/S	LS100B/C1	1" Y BODY, CAP & GASKET	1
N/S	LS125B/C1	1 1/4" Y BODY, CAP & GASKET	1

1/2"-1 1/4" Y STRAINERS

SCREENS	
MESH SIZE	RIB COLOR
6 MESH	WHITE
12 MESH	BLACK
20 MESH	BEIGE
30 MESH	FLAME RED
40 MESH	BROWN
50 MESH	GENTIAN BLUE
60 MESH	GENTIAN BLUE
80 MESH	ZINC YELLOW
100 MESH	TRAFFIC GREEN
120 MESH	BLACK

STANDARD MESHES & DATA											
	6 MESH	8 MESH	10 MESH	12 MESH	16 MESH	20 MESH	30 MESH	50 MESH	80 MESH	100 MESH	120 MESH
MICRONS	3360	2380	2000	1680	1190	841	595	297	177	149	125
WIRE DIAMETER	.035	.028	.025	.023	.018	.016	.012	.009	.0055	.0045	.0037
OPENING	.132	.097	.075	.060	.044	.034	.021	.011	.007	.005	.0046
% OPEN AREA	62.7	60.2	56.3	51.8	50.7	46.2	40.8	30.3	31.4	30.3	30.5

1½"-2" Y STRAINERS

FEATURES

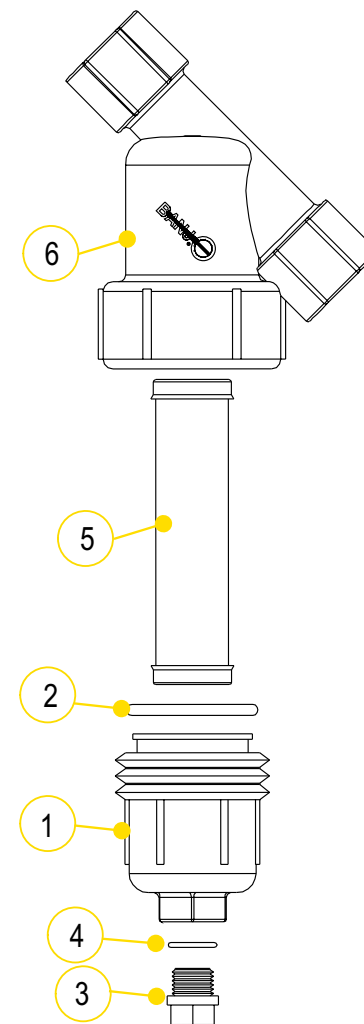
- Heavy duty glass reinforced polypropylene
- Corrosion resistant
- Easy grip end cap
- Heavy duty end cap threads
- Clean out plug
- Polypropylene ribbed 316 stainless steel screens
- EPDM gaskets
- Convenient color coded screens for easy mesh size identification (Refer to chart on next page)



1½" Y STRAINERS			
PART NO	DESCRIPTION	MAX PSI	QTY
LS150-06	1½" X 1½" Y STRAINER W/6 MESH SS SCREEN	150	1
LS150-12	1½" X 1½" Y STRAINER W/12 MESH SS SCREEN	150	1
LS150-20	1½" X 1½" Y STRAINER W/20 MESH SS SCREEN	150	1
LS150-30	1½" X 1½" Y STRAINER W/30 MESH SS SCREEN	150	1
LS150-50	1½" X 1½" Y STRAINER W/50 MESH SS SCREEN	150	1
LS150-80	1½" X 1½" Y STRAINER W/80 MESH SS SCREEN	150	1
LS150-120	1½" X 1½" Y STRAINER W/120 MESH SS SCREEN	150	1



2" Y STRAINERS			
PART NO	DESCRIPTION	MAX PSI	QTY
LS200-06	2" X 2" Y STRAINER W/6 MESH POLY RIBBED SS SCREEN	150	1
LS200-12	2" X 2" Y STRAINER W/12 MESH POLY RIBBED SS SCREEN	150	1
LS200-20	2" X 2" Y STRAINER W/20 MESH POLY RIBBED SS SCREEN	150	1
LS200-30	2" X 2" Y STRAINER W/30 MESH POLY RIBBED SS SCREEN	150	1
LS200-50	2" X 2" Y STRAINER W/50 MESH POLY RIBBED SS SCREEN	150	1
LS200-80	2" X 2" Y STRAINER W/80 MESH POLY RIBBED SS SCREEN	150	1
LS200-100	2" X 2" Y STRAINER W/100 MESH POLY RIBBED SS SCREEN	150	1
LS200-120	2" X 2" Y STRAINER W/120 MESH POLY RIBBED SS SCREEN	150	1



REPLACEMENT PARTS			
ITEM	PART NO	DESCRIPTION	QTY
1	LS150-C	1½" - 2" END CAP (CONTAINS #1, #3, #4)	1
2	LS150-G	1½"-2" O-RING	1
2	LS150-GV	1½"-2" FKM GASKET	1
3	LSQ200-PL	1" DRAIN PLUG (FITS 1½" - 2")	1
4	LSQ200-RV	1½"-2" FKM O-RING FOR DRAIN PLUG	1
5	LS206	1½"-2" 6 MESH SCREEN	1
5	LS212	1½"-2" 12 MESH SCREEN	1
5	LS220	1½"-2" 20 MESH SCREEN	1
5	LS230	1½"-2" 30 MESH SCREEN	1
5	LS250	1½"-2" 50 MESH SCREEN	1
5	LS280	1½"-2" 80 MESH SCREEN	1
5	LS2100	1½"-2" 100 MESH SCREEN	1
5	LS2120	1½"-2" 120 MESH SCREEN	1
5	LS212P	1½"-2" 12 MESH ALL POLY SCREEN	1
5	LS220P	1½"-2" 20 MESH ALL POLY SCREEN	1
5	LS250P	1½"-2" 50 MESH ALL POLY SCREEN	1
6	LS150-B	1½" Y BODY	1
6	LS200-B	2" Y BODY	1
N/S	LS150B/C	1½" Y BODY, CAP & GASKET	1
N/S	LS200B/C	2" Y BODY, CAP & GASKET	1

1½"-2" Y STRAINERS

SCREENS	
MESH SIZE	RIB COLOR
6 MESH	WHITE
12 MESH	BLACK
20 MESH	BEIGE
30 MESH	FLAME RED
40 MESH	BROWN
50 MESH	GENTIAN BLUE
80 MESH	ZINC YELLOW
100 MESH	TRAFFIC GREEN
120 MESH	BLACK

STANDARD MESHES & DATA									
	6 MESH	8 MESH	12 MESH	20 MESH	30 MESH	50 MESH	80 MESH	100 MESH	120 MESH
MICRONS	3360	2380	1680	841	595	297	177	149	125
WIRE DIAMETER	.035	.028	.023	.016	.012	.009	.0055	.0045	.0037
OPENING	.132	.097	.060	.034	.021	.011	.007	.005	.0046
% OPEN AREA	62.7	60.2	51.8	46.2	40.8	30.3	31.4	30.3	30.5

3" Y STRAINERS

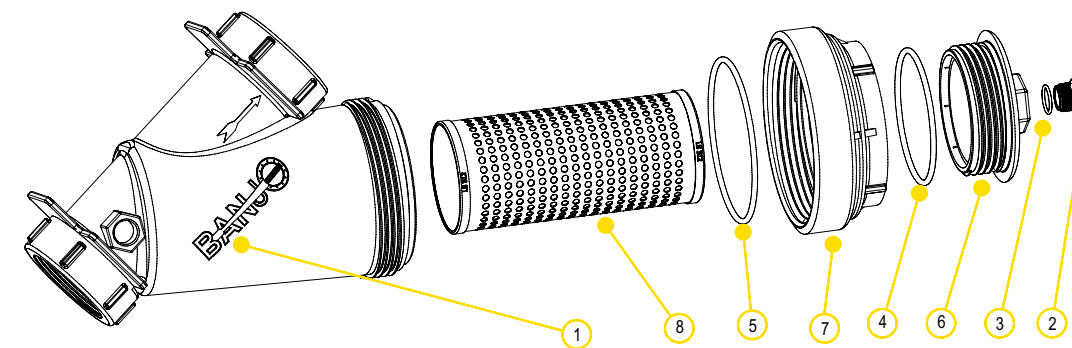
FEATURES

- Heavy duty glass reinforced polypropylene
- Corrosion resistant
- High volume
- Heavy duty end cap threads
- ½" clean out plug
- 304 stainless steel screens
- EPDM gaskets
- Warning: to be used on suction side or non-pressure side in all applications



3" Y STRAINERS

PART NO	DESCRIPTION	MAX PSI	QTY
LSM300-04	3" X 3" Y STRAINER W/4 MESH SCREEN	75	2/BOX
LSM300-08	3" X 3" Y STRAINER W/8 MESH SCREEN	75	2/BOX
LSM300-12	3" X 3" Y STRAINER W/12 MESH SCREEN	75	2/BOX
LSM300-20	3" X 3" Y STRAINER W/20 MESH SCREEN	75	2/BOX
LSM300-50	3" X 3" Y STRAINER W/50 MESH SCREEN	75	2/BOX



REPLACEMENT PARTS

ITEM	PART NO	DESCRIPTION	QTY
1	MLS300B1	3" BODY	1
2	13777	¾" PLUG	1
3	13778	O-RING	1
4	MLS300ECG	EPDM END CAP GASKET	1
4	MLS300ECGV	FKM CAP GASKET	1
5	MLS300G	EPDM CAP GASKET	1
5	MLS300GV	FKM CAP GASKET	1
6	LS300EC	END CAP ONLY (PLUG SOLD SEPARATELY)	1
7	MLS300CAP	3" CAP	1
8	LS304	4 MESH SCREEN	1
8	LS308	8 MESH SCREEN	1
8	LS312	12 MESH SCREEN	1
8	LS320	20 MESH SCREEN	1
8	LS350	50 MESH SCREEN	1

3" Y STRAINERS

- 304 stainless steel screens

3" Y STAINLESS STEEL STRAINERS

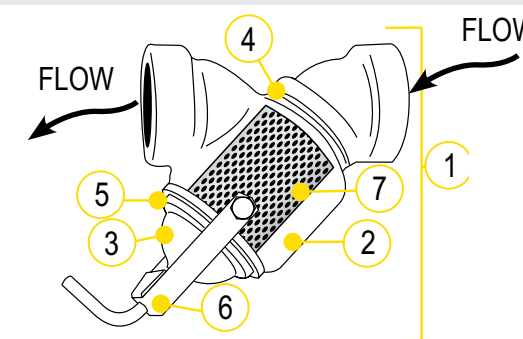
FEATURES

- Heavy duty stainless steel
- Corrosion resistant
- High volume
- Heavy duty end cap threads
- ½" clean out plug
- 304 stainless steel screens
- EPDM gaskets standard, FKM available
- Maximum operating pressure 225 psi
- Warning: to be used on suction side or non-pressure side in all applications



3" Y STRAINERS

PART NO	DESCRIPTION	QTY
LSS300-BC	3" SS BODY, CAP & GASKETS	1
LSS300-B	3" SS BODY	1
LSS300-C	3" SS CAP	1
LSS300-S	EPDM SCREEN SEAL	1
LSS300-SV	FKM SCREEN SEAL	1
LSS300-G	EPDM CAP GASKET	1
LSS300-GV	FKM CAP GASKET	1



REPLACEMENT PARTS

ITEM	PART NO	DESCRIPTION	QTY
1	LSS300-BC	3" SS BODY, CAP & GASKETS	1
2	LSS300-B	3" SS BODY	1
3	LSS300-C	3" SS CAP	1
4	LSS300-S	EPDM SCREEN SEAL	1
4	LSS300-SV	FKM SCREEN SEAL	1
5	LSS300-G	EPDM CAP GASKET	1
5	LSS300-GV	FKM CAP GASKET	1
6	LSS300-H	HANDLE/CLAMP ASSEMBLY	1
7	LSS306	6 MESH SS SCREEN	1
7	LSS308	8 MESH SS SCREEN	1
7	LSS312	12 MESH SS SCREEN	1
7	LSS320	20 MESH SS SCREEN	1
7	LSS330	30 MESH SS SCREEN	1
7	LSS350	50 MESH SS SCREEN	1

3" Y STAINLESS STEEL STRAINERS

- 304 stainless steel screens

PUMP ACCESSORIES PAGES 101

ROLL CAGES
SUCTION BASKET STRAINERS
BASE PLATES

2" POLY PUMPS PAGES 102 - 115

GAS ENGINE PUMPS
PUMP ONLY/ BEARING PEDESTAL
WET SEAL WITH GAS ENGINE
ELECTRIC MOTOR DRIVEN
HYDRAULIC MOTOR DRIVEN
MANIFOLD

3" POLY PUMPS PAGES 116- 125

GAS ENGINE PUMPS
PUMP ONLY/ BEARING PEDESTAL
MANIFOLD
HYDRAULIC MOTOR DRIVEN
WET SEAL WITH GAS ENGINE

1½" & 2" CAST IRON PUMPS PAGES 126 - 133

GAS ENGINE PUMPS
PUMP ONLY/ BEARING PEDESTAL
WET SEALS
ELECTRIC MOTOR DRIVEN
HYDRAULIC MOTOR DRIVEN

2" CAST IRON 222 SERIES PUMPS PAGES 134 - 139

GAS ENGINE PUMPS
PUMP ONLY/ BEARING PEDESTAL
HYDRAULIC MOTOR DRIVEN
ELECTRIC MOTOR DRIVEN
MANIFOLD WET SEAL

3" CAST IRON PUMPS PAGES 140 - 145

GAS ENGINE PUMPS
PUMP ONLY/ BEARING PEDESTAL
WET SEALS
HYDRAULIC MOTOR DRIVEN

3" CAST IRON 333 SERIES PUMPS PAGES 146 - 147

GAS ENGINE PUMPS
PUMP ONLY/ BEARING PEDESTAL
ELECTRIC MOTOR DRIVEN

3" CAST IRON MANIFOLD WET SEAL M332 SERIES PUMPS PAGES 148 - 151

GAS ENGINE PUMPS
PUMP ONLY/ BEARING PEDESTAL
ELECTRIC MOTOR DRIVEN
HYDRAULIC MOTOR DRIVEN

4" CAST IRON 444 SERIES PUMPS PAGES 152 - 153

GAS ENGINE PUMPS
PUMP ONLY

2" & 3" STAINLESS STEEL PUMPS PAGES 154- 161

GAS ENGINE PUMPS
PUMP ONLY/ BEARING PEDESTAL
ELECTRIC MOTOR DRIVEN
HYDRAULIC MOTOR DRIVEN

ENGINE REFERENCE GUIDE PAGE 162



PUMP ROLL CAGES

PART NO	DESCRIPTION	QTY
PRC200	2" PUMP ROLL CAGE	1

ROLL CAGE

FEATURES

- Made of steel tube construction for stability
- Powder coated finish for durability
- Fits all 2" polypropylene pumps
- Unassembled



SUCTION BASKET STRAINERS

PART NO	DESCRIPTION	QTY
200SBS	2" FEMALE THREAD POLY BASKET	1
300SBS	3" FEMALE THREAD POLY BASKET	1

SUCTION BASKET STRAINERS

FEATURES

- Made of polyethylene
- Prevents plugging and damage to pump while suctioning from streams or ponds.



BASE PLATE ASSEMBLY

PART NO	DESCRIPTION	QTY
18700	BASE PLATE ASSEMBLY INCLUDES PLATE, COUPLING GUARD, BOLT BAG AND SHIMS	1

BASE PLATE ASSEMBLY

FEATURES

- Universal fit for 1½", 2" and 3" polypropylene or cast iron pumps

2" POLY PUMPS

2" POLY PUMPS

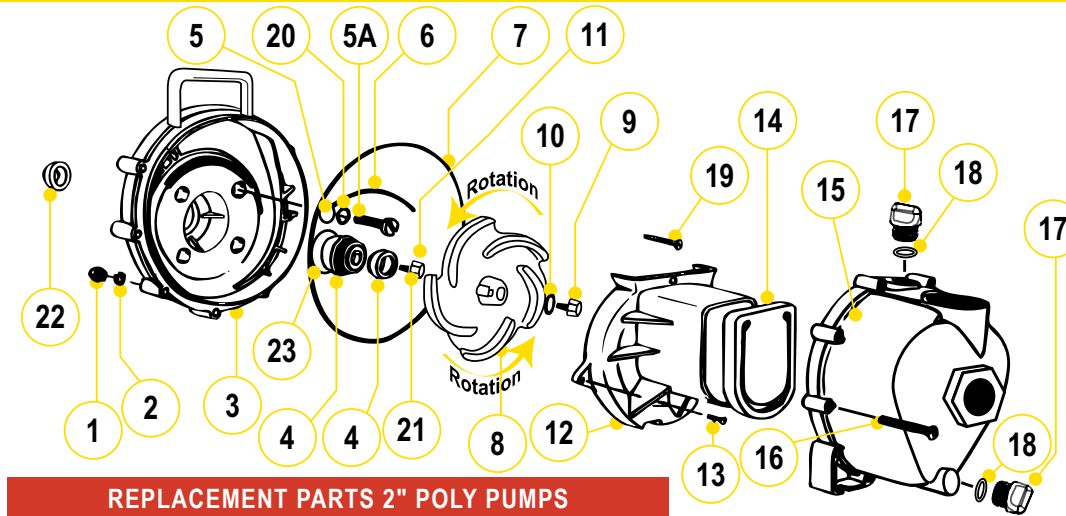
FEATURES

- Precision molded construction
- Lightweight
- Corrosion resistant
- Superior design
- Low maintenance
- EPDM standard, FKM available
- Engine warranty service available at authorized Briggs & Stratton® and Honda® dealers



2" POLY PUMPS W/GAS ENGINES

PART NO	DESCRIPTION	HP	QTY
200PH-5	2" POLY PUMP W/5.5 HP HONDA® ENGINE	5.5	1
200PH-5E	2" POLY PUMP W/5.5 HP HONDA® ENGINE W/ ELECTRIC START	5.5	1
200PH-5V	2" POLY PUMP W/5.5 HP HONDA® ENGINE W/FKM & 316 SS SEAL	5.5	1
200PH6	2" POLY PUMP W/6.5 HP HONDA® ENGINE	6.5	1
200P6PRO	2" POLY PUMP W/6.5 HP BRIGGS & STRATTON® ENGINE PRO SERIES	6.5	1
200P6PROE	2" POLY PUMP W/6.5 HP BRIGGS & STRATTON® ENGINE PRO SERIES W/ELECTRIC START	6.5	1
200P6PROV	2" POLY PUMP W/6.5 HP BRIGGS & STRATTON® ENGINE PRO SERIES W/FKM & 316 SS SEAL	6.5	1



REPLACEMENT PARTS 2" POLY PUMPS

ITEM	PART NO	DESCRIPTION	QTY
1	V07019	SS BODY NUTS	10
2	V07018	SS LOCK WASHERS	10
3	12703A	POLY PUMP REAR BRACKET	1
4	12713	SEAL ASSEMBLY	1
4	12713V	FKM SEAL ASSEMBLY	1
5	12717	O-RING FOR SCREW HEAD	4
5	12717V	FKM O-RING FOR SCREW HEAD	4
5A	12715A	SS BRACKET SCREWS	4
6	12754	O-RING SEGMENT	1
6	12754V	FKM O-RING SEGMENT	1
7	12719A	BODY O-RING	1
7	12719AV	FKM BODY O-RING	1
8	12772	5 VANE IMPELLER	1
8	12771A	3 VANE IMPELLER	1
9	12765A	SS IMPELLER BOLT	1
10	A204	O-RING	1
10	A204V	FKM O-RING	1
11	12775A	IMPELLER HEX NUT	1
12	12702A	POLY PUMP VOLUTE	1
13	12725	SS VOLUTE SCREWS	2
14	12705	POLY PUMP CHECK VALVE	1
14	12705V	FKM CHECK VALVE	1
15	12712A	BODY ASSEMBLY	1
16	12720	SS BODY SCREWS	10
17	12777	1/2" PLUG	2
18	UV15163	PRIME/DRAIN PLUG O-RING	2
18	UV15163V	FKM PRIME/DRAIN PLUG O-RING	2
19	12900	SS UPPER VOLUTE SCREW	1
20	12901	SS REAR BRACKET WASHER	4
21	12902A	IMPELLER KEY	1
22	12716	POLY PUMP SLINGER	1
23	12710	O-RING FOR SEAL ASSEMBLY	1
23	12710V	FKM O-RING FOR SEAL ASSEMBLY	1
N/S	12882A	BEARING PEDESTAL	1
N/S	12099	7/16"-14 X 1.25" HHCS	1
KIT	12000A	5 VANE IMPELLER REPAIR KIT (ITEMS 4-8, 10, 14, 18, 22, 23 & 12099)	1
KIT	12000AV	5 VANE FKM IMPELLER REPAIR KIT (ITEMS 4-8, 10, 14, 18, 22, 23 & 12099)	1
KIT	12999A	PUMP SEAL/O-RING KIT (ITEMS 5-7, 10, 18, 22, 23 & 12099)	1
KIT	12999AV	FKM PUMP SEAL/O-RING KIT (ITEMS 5-7, 10, 18, 22, 23 & 12099)	1

KITS 2" POLY PUMPS

PART NO	REPAIR KIT NO	SEAL KIT NO
200PH-5	12000A	12999A
200PH-5E	12000A	12999A
200PH-5V	12000AV	12999AV
200PH6	12000A	12999A
200P6PRO	12000A	12999A
200P6PROE	12000A	12999A
200P6PROV	12000AV	12999AV
200PB	12003A	12999A
200PB-V	12003AV	12999AV
205PB	12000A	12999A
205PB-V	12000AV	12999AV
200PO	12003A	12999A
200PO-V	12003AV	12999AV
205PO	12000A	12999A
205PO-V	12000AV	12999AV



WARNING! DO NOT RUN PUMP DRY, RESTRICT OR REDUCE PORT SIZES OR DEAD HEAD PUMP



WARNING! DO NOT USE WITH FLAMMABLE LIQUIDS



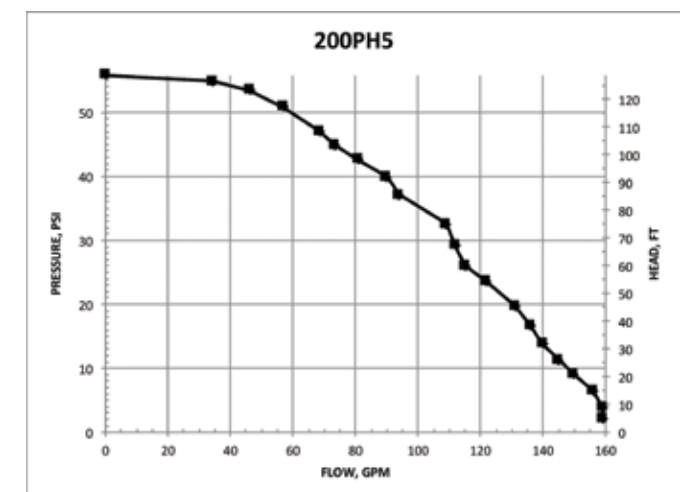
2" POLY PUMP BEARING PEDESTALS

PART NO	DESCRIPTION	HP	QTY
200PB	2" POLY BEARING PEDESTAL W/ 3/4" SHAFT & 3 VANE IMPELLER	N/A	1
200PB-V	2" POLY BEARING PEDESTAL W/ 3/4" SHAFT & 3 VANE IMPELLER W/FKM & 316 SS SEAL	N/A	1
205PB	2" POLY BEARING PEDESTAL W/ 3/4" SHAFT & 5 VANE IMPELLER	N/A	1
205PB-V	2" POLY BEARING PEDESTAL W/ 3/4" SHAFT & 5 VANE IMPELLER W/FKM & 316 SS SEAL	N/A	1

2" POLY PUMP ONLYS

PART NO	DESCRIPTION	HP	QTY
200PO	2" POLY PUMP ONLY* W/ 3 VANE IMPELLER	N/A	1
200PO-V	2" POLY PUMP ONLY* W/ 3 VANE IMPELLER W/ FKM & 316 SS SEAL	N/A	1
205PO	2" POLY PUMP ONLY* W/ 5 VANE IMPELLER	N/A	1
205PO-V	2" POLY PUMP ONLY* W/ 5 VANE IMPELLER W/ FKM & 316 SS SEAL	N/A	1

Note: Requires 3/4" shaft on motor



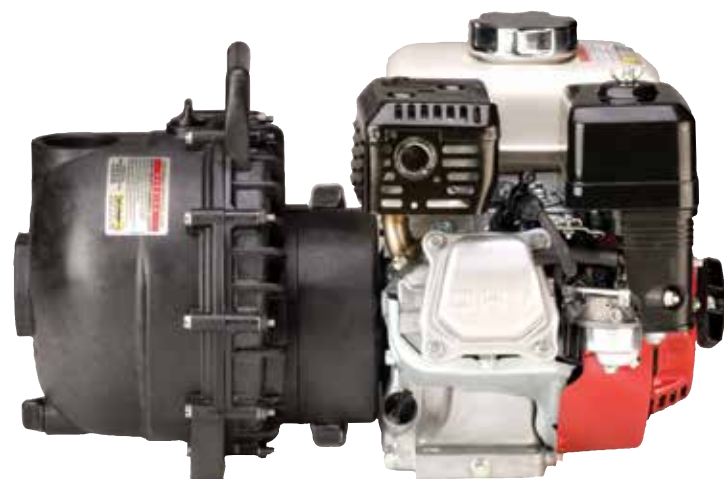
2" POLY WET SEAL PUMPS

FEATURES

- Run dry capability
- Double seal contained in ethylene glycol reservoir. Carbon ceramic seal faces with stainless steel cup and spring with EPDM rubber.
- Pump end separated from engine
- V-shaped for quicker priming
- Engine warranty service available at authorized Briggs & Stratton® and Honda® dealers



WARNING! DO NOT USE WITH FLAMMABLE LIQUIDS



2" POLY WET SEAL PUMPS W/GAS ENGINES

PART NO	DESCRIPTION	HP	QTY
200PH5W	2" POLY WET SEAL PUMP W/5.5 HP HONDA® ENGINE	5.5	1
200P6PROW	2" POLY WET SEAL PUMP W/6.5 HP BRIGGS & STRATTON® ENGINE PRO SERIES	6.5	1



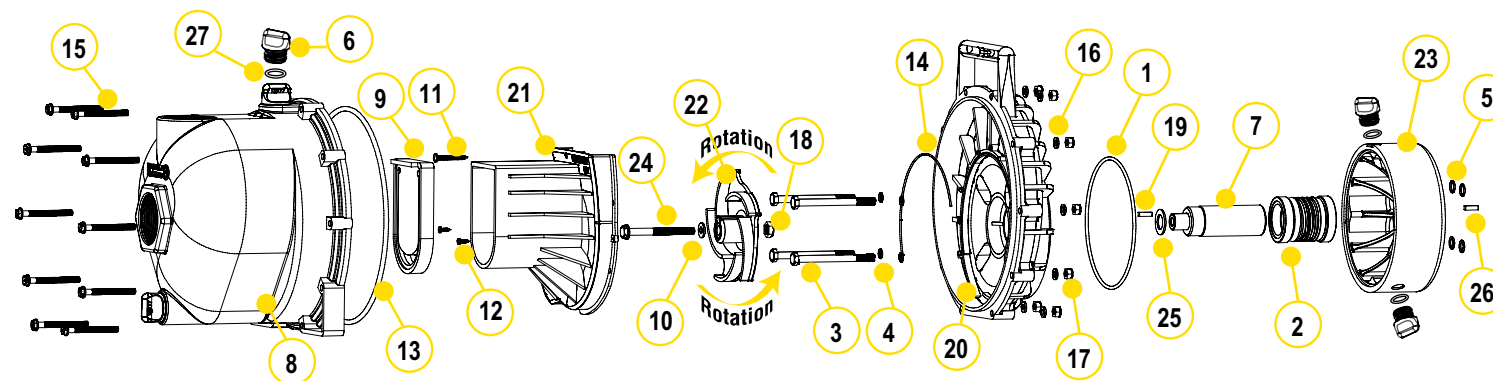
2" POLY WET SEAL BEARING PEDESTAL

PART NO	DESCRIPTION	HP	QTY
200PBW	2" POLY WET SEAL BEARING PEDESTAL W/ 3/4" SHAFT & 5 VANE IMPELLER	N/A	1



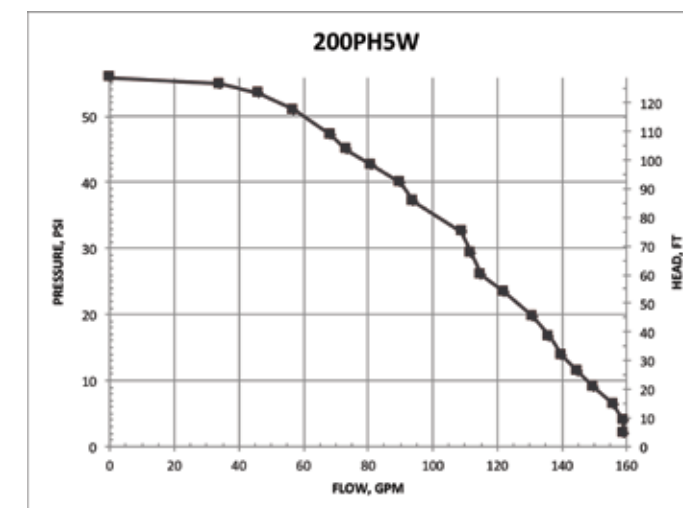
2" POLY WET SEAL PUMP ONLY

PART NO	DESCRIPTION	HP	QTY
205POWV	2" POLY WET SEAL PUMP ONLY, 5 VANE IMPELLER WITH FKM SEALS	N/A	1



REPLACEMENT PARTS 2" POLY PUMPS

ITEM	PART NO	DESCRIPTION	QTY
1	13719	O-RING	1
2	15035E	EPDM MECHANICAL SEAL ASSEMBLY	1
3	13034	5/16" -24 X 3 3/4" HHCS	4
4	12717	O-RING FOR BRACKET SCREW	4
5	12709	O-RING	4
6	12777	1/2" PLUG	4
7	12155	ADAPTER SHAFT	1
8	12712A	BODY ASSEMBLY	1
9	12705	CHECK VALVE	1
10	A204	IMPELLER BOLT GASKET	1
11	12900	#10 X 1 1/2" PPH SMS	1
12	12725	#6 X 1/2" PPH SMS	2
13	12719A	BODY O-RING	1
14	12754	O-RING SEGMENT	1
15	12720	1/4" - 20 X 2 1/2" SL IND HWHS	10
16	V07018	1/4" LOCK WASHER	10
17	V07019	1/4" - 20 HEX NUT	10
18	12775A	7/16" - 14 HEX NUT	1
19	12902A	3/16" SQ. X 5/8" KEY	2
20	12707W	WET SEAL REAR BRACKET	1
21	12702A	VOLUTE	1
22	12772	5 VANE IMPELLER	1
23	12202W	WET SEAL RESERVOIR	1
24	12766	5/16" - 24 X 3 1/4" HFS	1
25	CV10175	GASKET	1
26	12902A	1/4" SQ. 3/4" KEY STOCK	1
27	UV15163	O-RING FOR DRAIN PLUG	4



CENTRIFUGAL PUMPS

CENTRIFUGAL PUMPS

2" POLY PUMPS WITH ELECTRIC MOTORS

FEATURES

- Additional drive unit protection with added 1" spacer for ultimate protection
- The "Super Slinger" included for even more drive unit protection (not shown)



2" POLY PUMPS W/ELECTRIC MOTORS			
PART NO	DESCRIPTION	HP	QTY
234PPE5	2" POLY PUMP W/5 HP THREE PHASE ELECTRIC MOTOR W/ EPDM ELASTOMERS	5	1
234PPE5V	2" POLY PUMP W/5 HP THREE PHASE ELECTRIC MOTOR W/FKM ELASTOMERS	5	1
234PPE51	2" POLY PUMP W/5 HP SINGLE PHASE ELECTRIC MOTOR W/ EPDM ELASTOMERS	5	1
234PPE51V	2" POLY PUMP W/5 HP SINGLE PHASE ELECTRIC MOTOR W/FKM ELASTOMERS	5	1



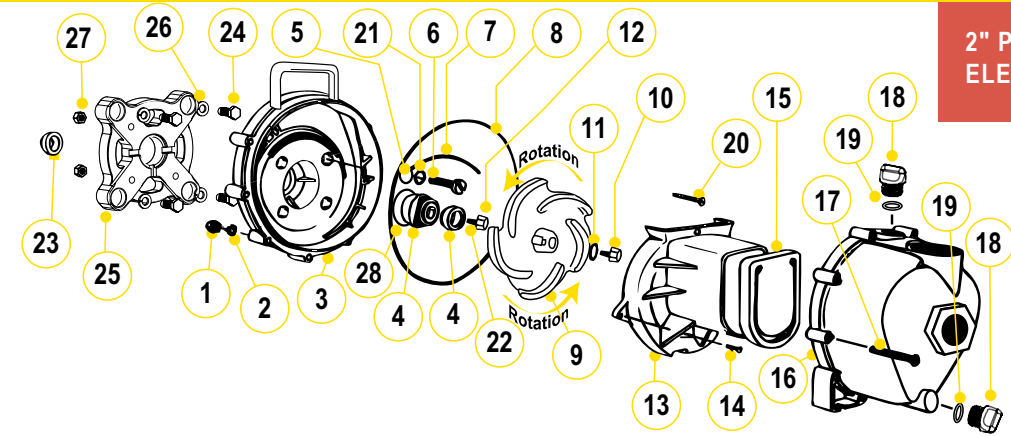
WARNING! DO NOT RUN PUMP DRY, RESTRICT OR REDUCE PORT SIZES OR DEAD HEAD PUMP



WARNING! DO NOT USE WITH FLAMMABLE LIQUIDS



2" POLY PUMPS FOR 56C FACED MOTORS			
PART NO	DESCRIPTION	HP	QTY
200PEO	2" POLY PUMP W/ 56C FACE ADAPTER	N/A	1

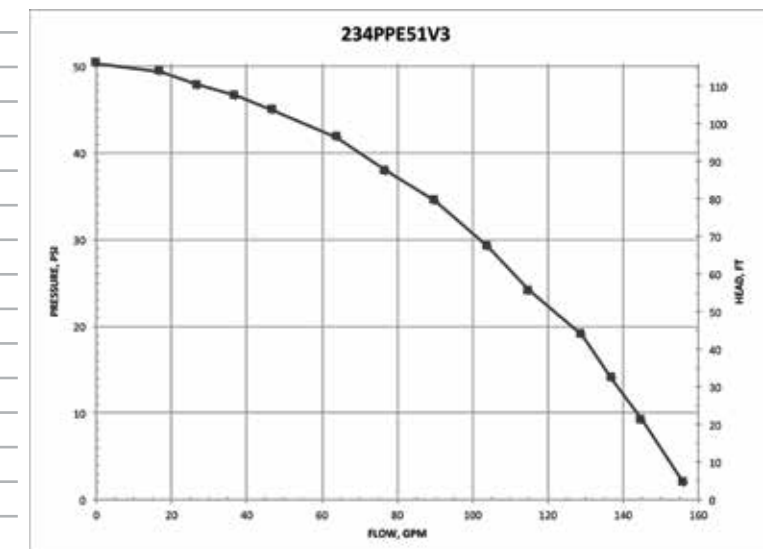


2" POLY PUMPS WITH ELECTRIC MOTORS

REPLACEMENT PARTS 2" POLY PUMPS			
ITEM	PART NO	DESCRIPTION	QTY
1	V07019	SS BODY NUTS	10
2	V07018	SS LOCK WASHERS	10
3	12703A	POLY PUMP REAR BRACKET	1
4	12713	SEAL ASSEMBLY EPDM	1
4	12713V	SEAL ASSEMBLY FKM	1
5	12717	SCREW HEADS O-RING EPDM	4
5	12717V	SCREW HEADS O-RING FKM	4
6	BF107	SS BRACKET SCREWS	4
7	12754	O-RING SEGMENT EPDM	1
7	12754V	O-RING SEGMENT FKM	1
8	12719A	BODY O-RING EPDM	1
8	12719AV	BODY O-RING FKM	1
9	12772	5 VANE IMPELLER	1
10	12765A	SS IMPELLER BOLT	1
11	A204	O-RING	1
11	A204V	FKM O-RING	1
12	12775A	IMPELLER HEX NUT	1
13	12702A	POLY PUMP VOLUTE	1
14	12725	SS VOLUTE SCREWS	2
15	12705	POLY PUMP CHECK VALVE EPDM	1
15	12705V	POLY PUMP CHECK VALVE FKM	1
16	12712A	BODY ASSEMBLY EPDM	1
16	12712AV	BODY ASSEMBLY FKM	1
17	12720	SS BODY SCREWS	10
18	12777	1/2" PLUG	2
19	UV15163	PRIME/DRAIN PLUG O-RING	2
19	UV15163V	FKM PRIME/DRAIN PLUG O-RING	2
20	12900	SS UPPER VOLUTE SCREW	1
21	12901	SS REAR BRACKET WASHER	4
22	12902A	IMPELLER KEY	1
23	12716	PUMP SLINGER	1
24	17704	3/8"-16 X 1.25" HHCS	8
25	12046	56C FRAME ADAPTER	1
26	V20018	LOCK WASHER FOR 56C FRAME ADAPTER	8
27	V10119	NUT FOR 56C FRAME ADAPTER	4
28	12710	O-RING FOR SEAL ASSEMBLY	1
28	12710V	FKM O-RING FOR SEAL ASSEMBLY	1

REPLACEMENT PARTS 2" POLY PUMPS			
ITEM	PART NO	DESCRIPTION	QTY
N/S	17701	BASE PLATE	1
N/S	12099	7/16"-14 X 1.25" HHCS	1
N/S	12052	56C FRAME ADAPTER SHAFT FOR 200PEO	1
KIT	12756	56C FRAME ADAPTER KIT (ITEMS 6, 22, 24-27, 12052, 12053, 15751, 15752)	1
KIT	12000A	5 VANE IMPELLER REPAIR KIT (ITEMS 4, 5, 7, 8, 9, 11, 15, 19, 23 & 12099)	1
KIT	12000AV	5 VANE FKM IMPELLER REPAIR KIT (ITEMS 4, 5, 7, 8, 9, 11, 15, 19, 23 & 12099)	1
KIT	12999A	PUMP SEAL/O-RING KIT (ITEMS 4, 5, 7, 8, 11, 19, 23)	1
KIT	12999AV	FKM PUMP SEAL/O-RING KIT (ITEMS 4, 5, 7, 8, 11, 19, 23)	1

KITS 2" POLY PUMPS			
PART NO	REPAIR KIT NO	SEAL KIT NO	FRAME ADAPTER KIT
234PPE5	12000A	12999A	12756
234PPE5V	12000AV	12999AV	12756
234PPE51	12000A	12999A	12756
234PPE51V	12000AV	12999AV	12756
200PEO	12003A	12999A	12756



CENTRIFUGAL PUMPS

2" POLY PUMPS WITH HYDRAULIC MOTORS

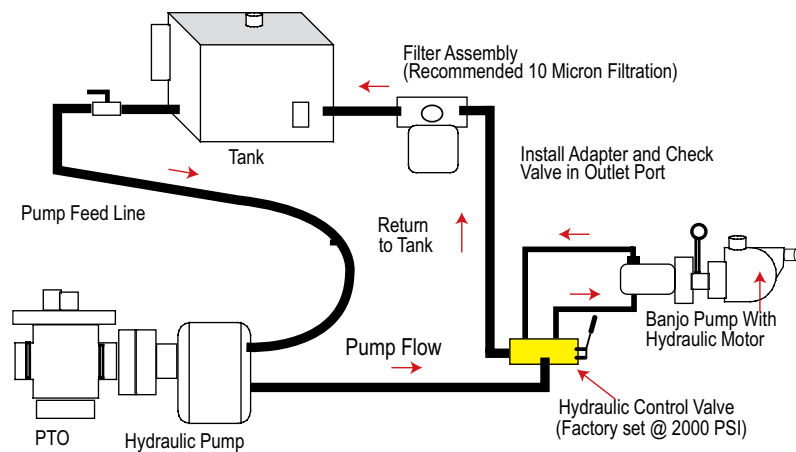
FEATURES

- Precision molded construction
- Lightweight
- Corrosion resistant
- Low maintenance
- Hydraulic fluid capacity is minimum 6 gallons and maximum 10 gallons
- Open or closed system
- 3600 R.P.M.
- Recommendation to use the motor spool control valve or a suitable equivalent. The lack of such a valve in this circuit may cause failure to the hydraulic motor.



2" POLY PUMPS W/HYDRAULIC MOTORS			
PART NO	DESCRIPTION	HP	QTY
200PHA	2" POLY PUMP WITHOUT HYDRAULIC MOTOR	N/A	1
200PHY	2" POLY PUMP W/12 HP HYDRAULIC MOTOR	12.0	1
200PHAW	2" POLY WET SEAL PUMP WITHOUT HYDRAULIC MOTOR	N/A	1
200PHYW	2" POLY WET SEAL PUMP W/12 HP HYDRAULIC MOTOR	12.0	1

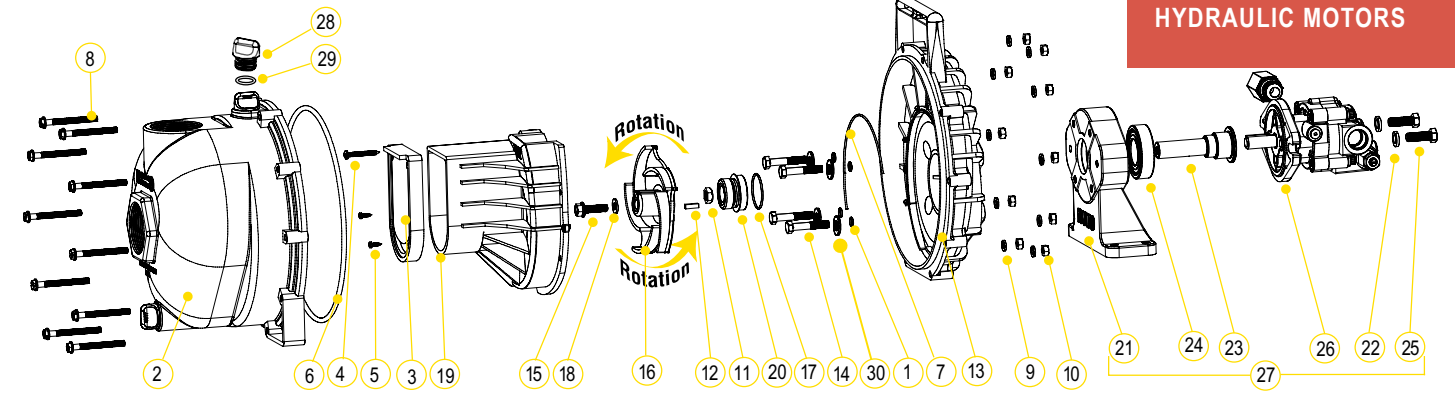
SPOOL VALVE ASSEMBLY DIAGRAM



HYDRAULIC MOTOR SPOOL VALVE			
PART NO	DESCRIPTION	HP	QTY
HSV1000	HYDRAULIC MOTOR SPOOL VALVE	N/A	1

CENTRIFUGAL PUMPS

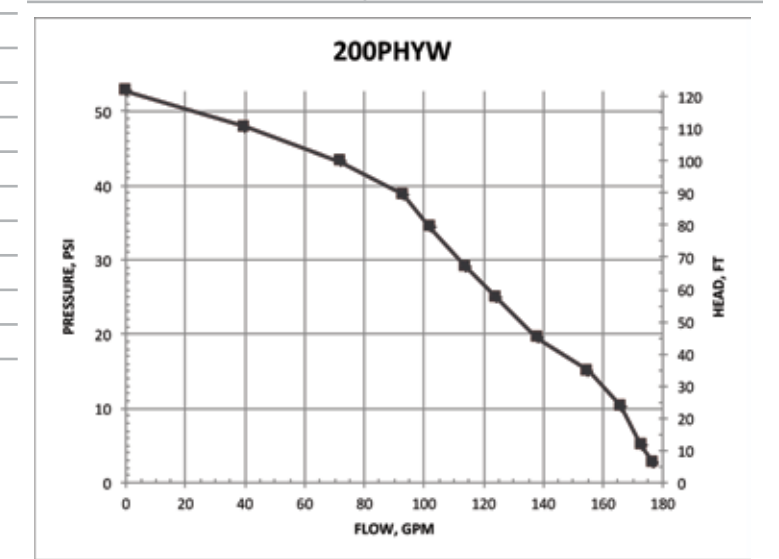
2" POLY PUMPS WITH HYDRAULIC MOTORS



REPLACEMENT PARTS 2" POLY PUMPS			
ITEM	PART NO	DESCRIPTION	QTY
1	12717	O-RING FOR SCREW HEADS	4
2	12712A	BODY ASSEMBLY	1
3	12705	CHECK VALVE	1
4	12900	SS UPPER VOLUTE SCREW	1
5	12725	SS VOLUTE SCREWS	2
6	12719A	BODY O-RING	1
7	12754	O-RING SEGMENT	1
8	12720	SS BODY SCREWS	10
9	V07018	SS LOCK WASHERS	10
10	V07019	SS BODY NUTS	10
11	12775A	IMPELLER HEX NUT	1
12	12902A	IMPELLER KEY	1
13	12703A	POLY PUMP REAR BRACKET	1
14	12715A	5/16"-24 X 1.75" HHCS	4
15	12765A	SS IMPELLER BOLT	1
16	12772	5 VANE IMPELLER	1
17	12710	O-RING FOR SEAL ASSEMBLY	1
18	A204	O-RING	1
19	12702A	POLY PUMP VOLUTE	1
20	12713	MECHANICAL SEAL ASSEMBLY	1
21	12049E	HYDRAULIC PEDESTAL HOUSING	1
22	V20018	3/8" LOCK WASHER	2
23	12055E	ADAPTER SHAFT	1
24	17056E	BEARING	1
25	18010SS	3/8"-16 X 1.25" HHCS	2
26	HY1013	HYDRAULIC MOTOR	1
27	12600B	COMPLETE HYDRAULIC ASSEMBLY	1
28	12777	1/2" PLUG	2
29	UV15163	O-RING FOR PLUG	2
30	12901	WASHER (200PHA & 200PHY)	4
N/S	HY1003	HYDRAULIC MOTOR SEAL KIT	1
KIT	12000A	5 VANE IMPELLER REPAIR KIT (ITEMS 1, 3, 6, 7, 16-18, 20, 12099)	1
KIT	12999A	PUMP SEAL/O-RING KIT (ITEMS 1, 6, 7, 17, 20, 29, 12099)	1

KITS 2" POLY PUMPS			
PART NO	EPDM REPAIR KIT NO	EPDM SEAL KIT NO	HYDRAULIC MOTOR SEAL KIT
200PHA	12000A	12999A	N/A
200PHY	12000A	12999A	HY1003

HYDRAULIC MOTOR DATA	
U.S. GALLONS/REV.	0.0025
CUBIC INCHES/REV.	0.580
LITERS/REV.	0.0097
MAX HYDRAULIC PRESSURE	2000 PSI
MIN HYDRAULIC PRESSURE	200 PSI
INLET PORT	SAE 10 (7/8-14 UNF-2B)
OUTLET PORT	SAE 10 (7/8-14 UNF-2B)
MINIMUM GPM REQUIRED	6 GPM 2400 RPM
MAXIMUM GPM REQUIRED	10 GPM 4000 RPM
IDEAL GPM REQUIRED	9 GPM 3600 RPM
CONNECTION INFORMATION	
INLET	"A" PORT
OUTLET	"B" PORT
SUPPLIED CHECK VALVE IS TO ENSURE PROPER ROTATION OF THE BANJO PUMP. PLACE CHECK VALVE IN OUTLET PORT (MARKED "B") FOR PROPER RIGHT HAND ROTATION.	
SPOOL VALVE INFORMATION	
REQUIRED OUTLET FLOW	MIN 6 GPM / MAX 10 GPM
REQUIRED SYSTEM PRESSURE	MIN 600 PSI / MAX 3000 PSI



WARNING! DO NOT RUN PUMP DRY, RESTRICT OR REDUCE PORT SIZES OR DEAD HEAD PUMP



WARNING! DO NOT USE WITH FLAMMABLE LIQUIDS

2" POLY MANIFOLD PUMPS WITH GAS ENGINES

2" POLY MANIFOLD PUMPS WITH GAS ENGINES

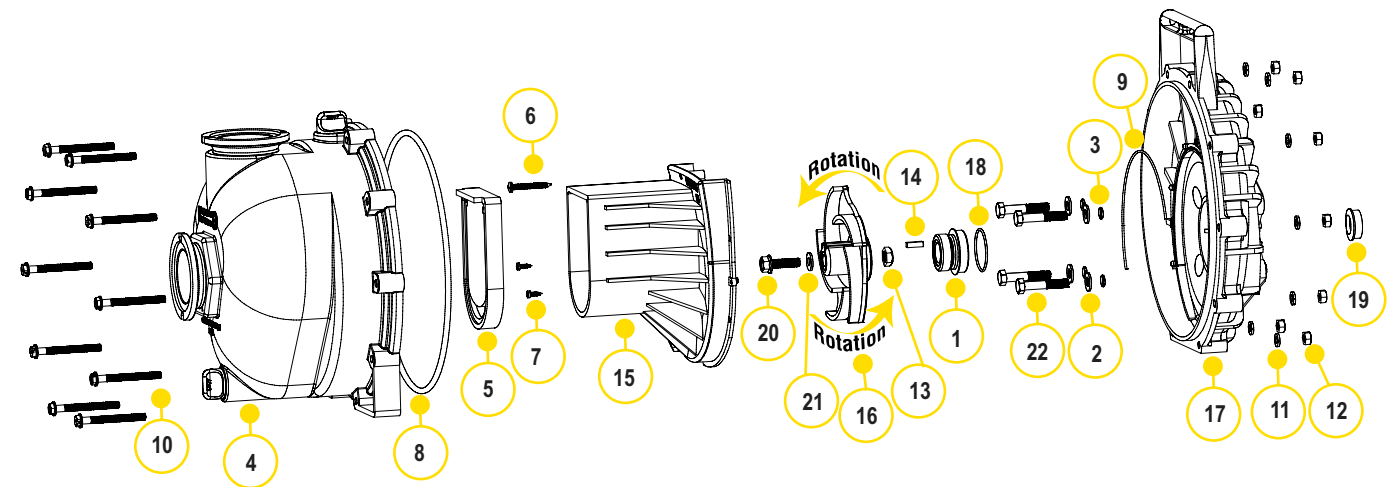
FEATURES

- Precision molded construction
- Lightweight
- Corrosion resistant
- Low maintenance
- See pages 43-49 on manifold fittings for easy plumbing.



2" POLY MANIFOLD PUMPS W/GAS ENGINES

PART NO	DESCRIPTION	HP	QTY
M220PH5	2" POLY MANIFOLD PUMP W/5.5 HP HONDA® ENGINE	5.5	1
M220PH5E	2" POLY MANIFOLD PUMP W/5.5 HP HONDA® ENGINE W/ ELECTRIC START	5.5	1
M220PH6	2" FP MANIFOLD PUMP W/6.5 HP HONDA® ENGINE	6.5	1
M220P6PRO	2" FP MANIFOLD PUMP W/6.5 HP BRIGGS & STRATTON® PRO SERIES ENGINE	6.5	1



REPLACEMENT PARTS 2" POLY PUMPS

ITEM	PART NO	DESCRIPTION	QTY
1	12713	MECHANICAL SEAL ASSEMBLY	1
2	12901	SS REAR BRACKET WASHER	4
3	12717	O-RING FOR SCREW HEAD	4
4	M12712	2" FP MANIFOLD PUMP BODY ASSEMBLY	1
5	12705	POLY PUMP CHECK VALVE	1
6	12900	SS UPPER VOLUTE SCREW	1
7	12725	SS VOLUTE SCREWS	2
8	12719A	BODY O-RING	1
9	12754	O-RING SEGMENT	1
10	12720	SS BODY SCREWS	10
11	V07018	SS LOCK WASHERS	10
12	V07019	SS BODY NUTS	10
13	12775A	IMPELLER HEX NUT	1
14	12902A	IMPELLER KEY	1
15	12702A	POLY PUMP VOLUTE	1
16	12772	5 VANE IMPELLER	1
16	12771A	3 VANE IMPELLER	1
17	12703A	POLY PUMP REAR BRACKET	1
18	12710	O-RING FOR SEAL ASSEMBLY	1
19	12716	POLY PUMP SLINGER	1
20	12765A	SS IMPELLER BOLT	1
21	A204	O-RING	1
22	12715A	SS BRACKET SCREWS	4
KIT	12000A	5 VANE IMPELLER REPAIR KIT (ITEMS 2,4,7,8,17,19,21,30, 12099)	1
KIT	12000AV	5 VANE FKM IMPELLER REPAIR KIT (ITEMS 2,4,7,8,17,19,21,30, 12099)	1
KIT	12999A	PUMP SEAL/O-RING KIT (ITEMS 2,4,7,8,17,19,21,30, 12099)	1
KIT	12999AV	FKM PUMP SEAL/O-RING KIT (ITEMS 4-7,8,10,18, 23 & 12099)	1

KITS 2" POLY PUMPS

PART NO	EPDM REPAIR KIT NO	FKM REPAIR KIT NO	EPDM SEAL KIT NO	FKM SEAL KIT NO
M220PH5	12000A	12000AV	12999A	12999AV
M220PH5E	12000A	12000AV	12999A	12999AV
M220PH6	12000A	12000AV	12999A	12999AV
M220P6PRO	12000A	12000AV	12999A	12999AV
M220P6PROE	12000A	12000AV	12999A	12999AV
M220PB	12003A	12003AV	12999A	12999AV
M220PO	12003A	12003AV	12999A	12999AV

2" POLY MANIFOLD BEARING PEDESTAL

PART NO	DESCRIPTION	HP	QTY
M220PB	2" POLY MANIFOLD BEARING PEDESTAL W/ 3/4" SHAFT & 3 VANE IMPELLER	N/A	1

2" POLY MANIFOLD PUMP ONLY

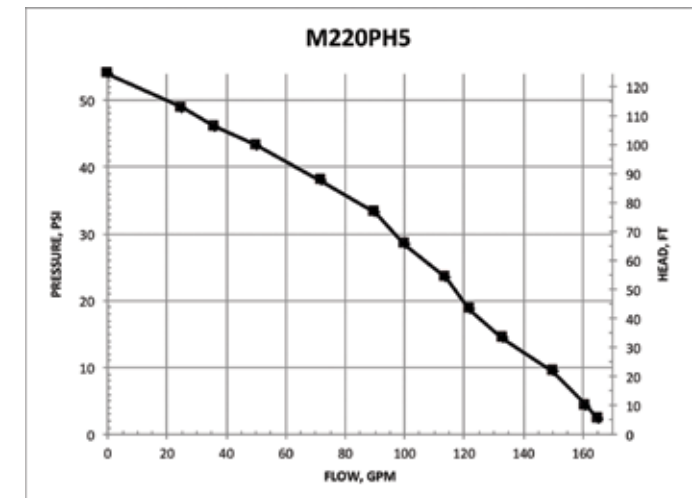
PART NO	DESCRIPTION	HP	QTY
M225PO	2" POLY MANIFOLD PUMP ONLY W/ 3/4" SHAFT & 5 VANE IMPELLER	N/A	1



WARNING! DO NOT RUN PUMP DRY, RESTRICT OR REDUCE PORT SIZES OR DEAD HEAD PUMP



WARNING! DO NOT USE WITH FLAMMABLE LIQUIDS



2" POLY MANIFOLD WET SEAL PUMPS

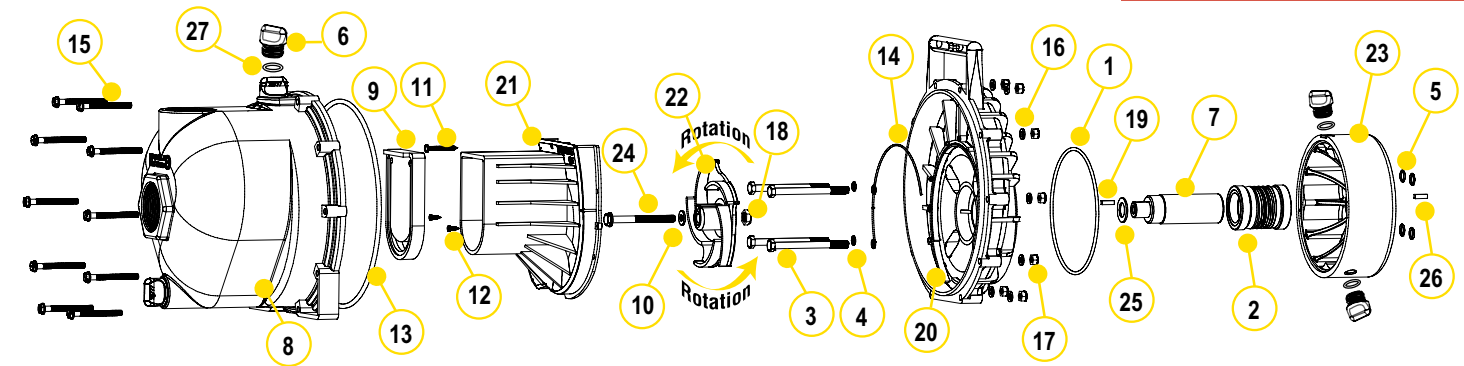
FEATURES

- Run dry capability
- Double seal contained in ethylene glycol reservoir. Carbon ceramic seal faces with stainless steel cup and spring with EPDM rubber
- Pump end separated from engine
- Large weep holes between pump and engine
- V-shaped for quicker priming
- See pages 43-49 on manifold fittings for easy plumbing.



2" POLY MANIFOLD WET SEAL PUMPS W/GAS ENGINES

PART NO	DESCRIPTION	HP	QTY
M220PH5W	2" POLY MANIFOLD WET SEAL PUMP W/5.5 HP HONDA® ENGINE	5.5	1
M220P6PROW	2" POLY MANIFOLD WET SEAL PUMP W/6.5 HP BRIGGS & STRATTON® ENGINE PRO SERIES	6.5	1



2" POLY MANIFOLD WET SEAL PUMPS

REPLACEMENT PARTS 2" POLY PUMPS

ITEM	PART NO	DESCRIPTION	QTY
1	13719	O-RING	1
2	15035E	EPDM MECHANICAL SEAL ASSEMBLY	1
3	13034	5/16" -24 X 3 3/4" HHCS	4
4	12717	O-RING FOR BRACKET SCREW	4
5	12709	O-RING	4
6	12777	1/2" PLUG	4
7	12155	ADAPTER SHAFT	1
8	M12712	2" FP MANIFOLD PUMP BODY ASSEMBLY	1
9	12705	CHECK VALVE	1
10	A204	IMPELLER BOLT GASKET	1
11	12900	#10 X 1 1/2" PPH SMS	1
12	12725	#6 X 1 1/2" PPH SMS	2
13	12719A	BODY O-RING	1
14	12754	O-RING SEGMENT	1
15	12720	1/4" - 20 X 2 1/2" SL IND HWHS	10
16	V07018	1/4" LOCK WASHER	10
17	V07019	1/4" - 20 HEX NUT	10
18	12775A	7/16" - 14 HEX NUT	1
19	12902A	3/16" SQ. X 5/8" KEY	2
20	12707W	WET SEAL REAR BRACKET	1
21	12702A	VOLUTE	1
22	12772	5 VANE IMPELLER	1
23	12202W	WET SEAL RESERVOIR	1
24	12766	5/16" - 24 X 3 3/4" HFS	1
25	CV10175	GASKET	1
26	12902A	1/4" SQ. 3/4" KEY STOCK	1
27	UV15163	O-RING FOR DRAIN PLUG	4



WARNING! DO NOT RUN PUMP DRY, RESTRICT OR REDUCE PORT SIZES OR DEAD HEAD PUMP

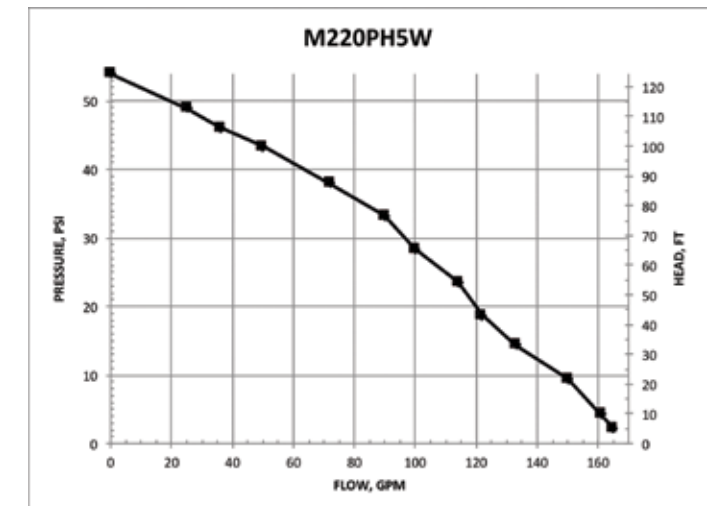


WARNING! DO NOT USE WITH FLAMMABLE LIQUIDS



2" POLY MANIFOLD WET SEAL BEARING PEDESTAL

PART NO	DESCRIPTION	HP	QTY
M220PBW	2" POLY MANIFOLD WET SEAL BEARING PEDESTAL W/ 1/4" SHAFT & 5 VANE IMPELLER	N/A	1



CENTRIFUGAL PUMPS

2" POLYPROPYLENE MANIFOLD WET SEAL PUMPS WITH HYDRAULIC MOTORS

FEATURES

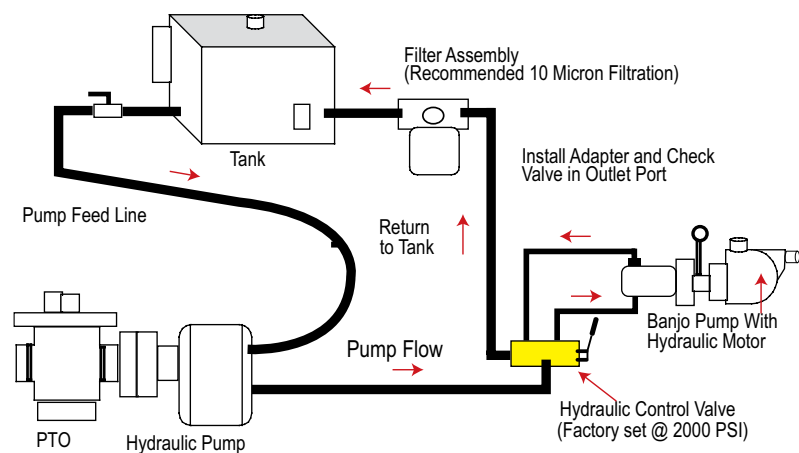
- Run dry capability
- Double seal contained in ethylene glycol reservoir. Carbon ceramic seal faces with stainless steel cup and spring with EPDM rubber
- Pump end separated from engine
- V-shaped for quicker priming
- See pages 43-49 on manifold fittings for easy plumbing.



POLY MANIFOLD WET SEAL PUMPS W/HYDRAULIC MOTOR

PART NO	DESCRIPTION	HP	QTY
M220PHYW	2" MANIFOLD POLY WET SEAL PUMP W/ HYDRAULIC MOTOR	12	1

SPOOL VALVE ASSEMBLY DIAGRAM



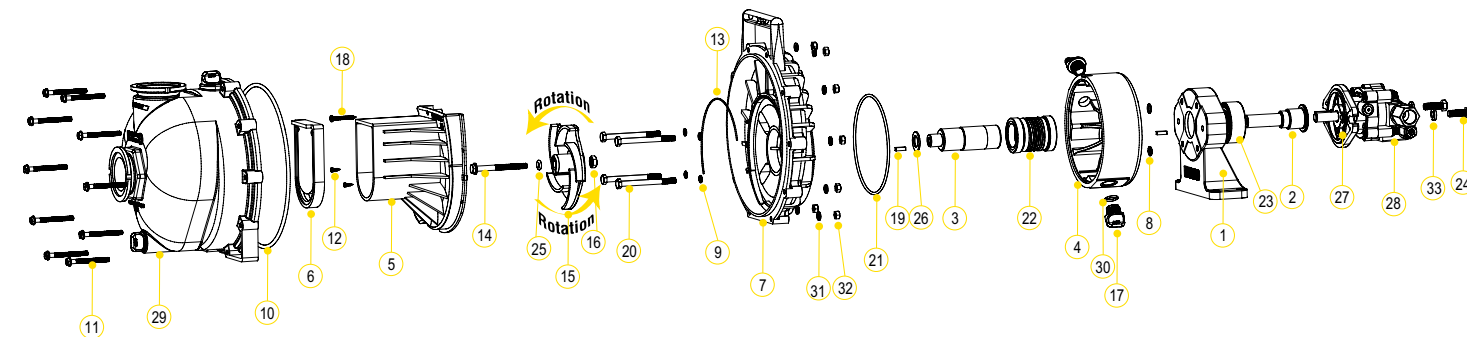
HYDRAULIC MOTOR SPOOL VALVE

PART NO	DESCRIPTION	HP	QTY
HSV1000	HYDRAULIC MOTOR SPOOL VALVE	N/A	1



CENTRIFUGAL PUMPS

2" POLYPROPYLENE MANIFOLD WET SEAL PUMPS WITH HYDRAULIC MOTORS



REPLACEMENT PARTS 2" POLY PUMPS

ITEM	PART NO	DESCRIPTION	QTY
1	12049E	HYDRAULIC PEDESTAL HOUSING	1
2	12055E	HYDRAULIC ADAPTER SHAFT	1
3	12155	ADAPTER SHAFT	1
4	12202W	WET SEAL RESERVOIR	1
5	12702A	VOLUTE	1
6	12705	CHECK VALVE	1
7	12707W	REAR BRACKET	1
8	12709	O-RING	4
9	12717	O-RING FOR SCREW HEADS	4
10	12719A	O-RING	1
11	12720	SS BODY SCREWS	10
12	12725	SS VOLUTE SCREWS	2
13	12754	O-RING SEGMENT	1
14	12766	5/16" -24 X 3/4" HFS	1
15	12772	IMPELLER	1
16	12775A	IMPELLER HEX NUT	1
17	12777	1/2" PLUG	2
18	12900	SS UPPER VOLUTE SCREW	1
19	12902A	IMPELLER KEY	2
20	13034	5/16" -24 X 3 3/4" HHCS	4
21	13719	O-RING	1
22	15035	MECHANICAL SEAL ASSEMBLY	1
23	17056E	BEARING	1
24	18010SS	3/8"-16 X 1.25" HHCS	2
25	A204	O-RING	1
26	CV10175	GASKET	1
27	HY10131	MGG20025BC1D3 GRESEN HYDRAULIC MOTOR	1
28	HY10132	HYDRAULIC CHECK VALVE	1
29	M12712	2" FP MANIFOLD PUMP BODY ASSEMBLY	1
30	UV15163	O-RING	2
31	V07018	SS LOCK WASHERS	10
32	V07019	SS BODY NUTS	10
33	V20018	3/8" LOCK WASHER	2

HYDRAULIC MOTOR DATA

U.S. GALLONS/REV.	0.0025
CUBIC INCHES/REV.	0.580
LITERS/REV.	0.0097
MAX HYDRAULIC PRESSURE	2000 PSI
MIN HYDRAULIC PRESSURE	200 PSI
INLET PORT	SAE 10 (7/8-14 UNF-2B)
OUTLET PORT	SAE 10 (7/8-14 UNF-2B)
MINIMUM GPM REQUIRED	6 GPM 2400 RPM
MAXIMUM GPM REQUIRED	10 GPM 4000 RPM
IDEAL GPM REQUIRED	9 GPM 3600 RPM

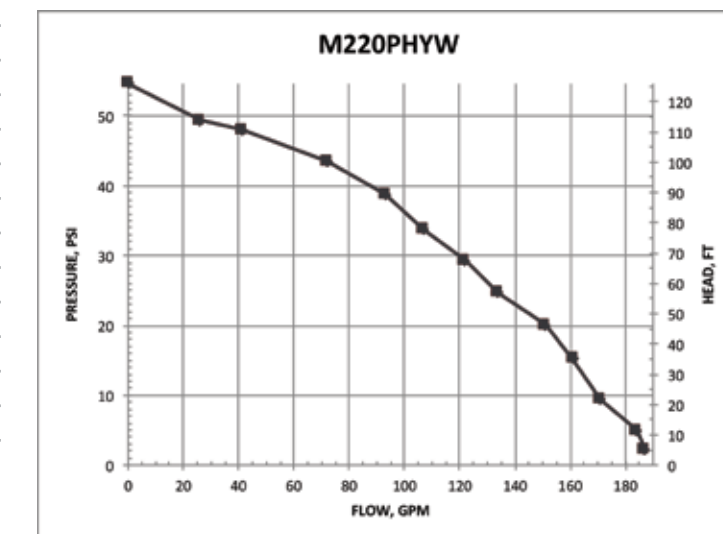
CONNECTION INFORMATION

INLET	"A" PORT
OUTLET	"B" PORT

SUPPLIED CHECK VALVE IS TO ENSURE PROPER ROTATION OF THE BANJO PUMP. PLACE CHECK VALVE IN OUTLET PORT (MARKED "B") FOR PROPER RIGHT HAND ROTATION.

SPOOL VALVE INFORMATION

REQUIRED OUTLET FLOW	MIN 6 GPM / MAX 10 GPM
REQUIRED SYSTEM PRESSURE	MIN 600 PSI / MAX 3000 PSI

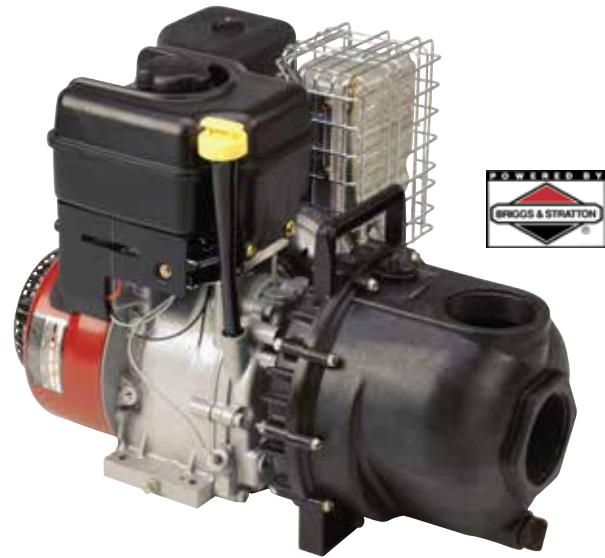


WARNING! DO NOT USE WITH FLAMMABLE LIQUIDS

3" POLY PUMPS

FEATURES

- Pump end separated from engine
- Large weep holes between pump and engine
- V-shaped for quicker priming
- Pump only comes unassembled



3" POLY PUMPS W/GAS ENGINES			
PART NO	DESCRIPTION	HP	QTY
300PH-6	3" POLY PUMP W/6.5 HP HONDA® ENGINE	6.5	1
300P11PRO	3" POLY PUMP W/11 HP BRIGGS & STRATTON® ENGINE PRO SERIES W/ELECTRIC START & PULL ROPE	11	1



WARNING! DO NOT RUN PUMP DRY, RESTRICT OR REDUCE PORT SIZES OR DEAD HEAD PUMP



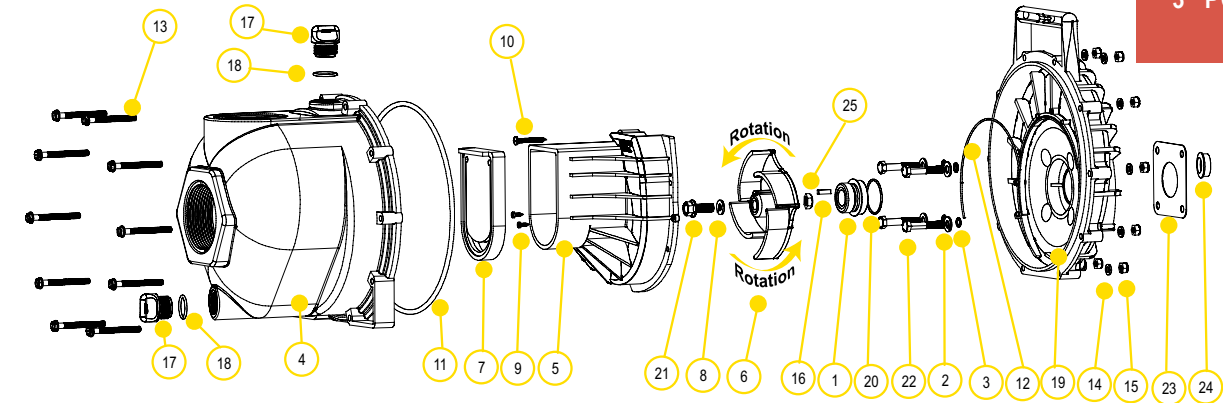
WARNING! DO NOT USE WITH FLAMMABLE LIQUIDS



3" POLY BEARING PEDESTAL			
PART NO	DESCRIPTION	HP	QTY
300PB	3" POLY BEARING PEDESTAL W/ 3/4" SHAFT & 4 VANE IMPELLER	N/A	1



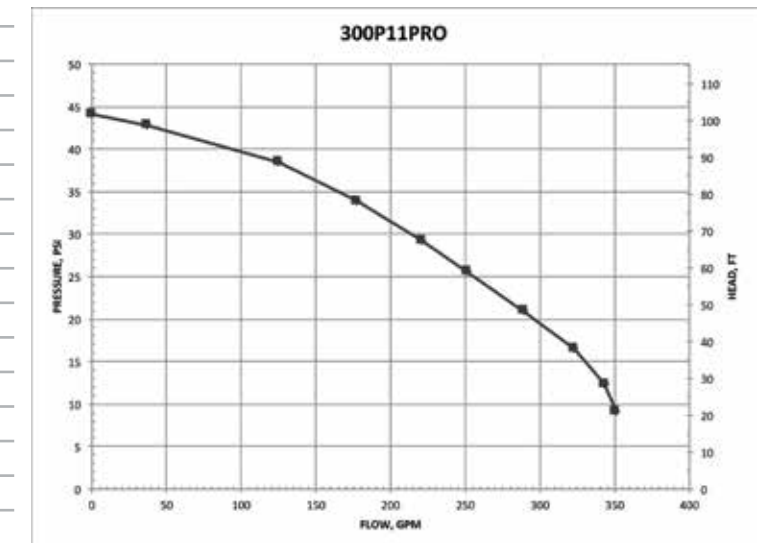
3" POLY PUMP ONLY			
PART NO	DESCRIPTION	HP	QTY
300PO	3" POLY PUMP ONLY W/ 3/4" SHAFT & 4 VANE IMPELLER	N/A	1



3" POLY PUMPS

REPLACEMENT PARTS 3" POLY PUMPS			
ITEM	PART NO	DESCRIPTION	QTY
1	12713	SEAL ASSEMBLY	1
2	12901	SS REAR BRACKET WASHER	4
3	12717	O-RING FOR SCREW HEAD	4
4	13712	BODY ASSEMBLY	1
5	13702	POLY PUMP VOLUTE	1
6	13771	4 VANE TRIMMED IMPELLER (300PH-6, 300PB & 300PO)	1
6	13772	4 VANE IMPELLER (300P11PRO)	1
7	12705	CHECK VALVE	1
8	A204	O-RING	1
9	12900	SS UPPER VOLUTE SCREW	4
10	12725	SS VOLUTE SCREWS	2
11	12719A	BODY O-RING	1
12	12754	O-RING SEGMENT	1
13	12720	SS BODY SCREWS	10
14	V07018	SS LOCK WASHERS	10
15	V07019	SS BODY NUTS	10
16	12902A	IMPELLER KEY	1
17	13777	3/4" PLUG	2
18	13778	O-RING	2
19	12703A	POLY PUMP REAR BRACKET	1
20	12710	O-RING FOR SEAL ASSEMBLY	1
21	12765A	SS IMPELLER BOLT 5/16 X 24 X 1.12 (300PH-6)	1
21	13765	SS IMPELLER BOLT 3/8 X 24 X 1.75 (300P11PRO)	1
22	12715A	SS BRACKET SCREWS	4
23	15751	REAR BRACKET SHIM	1
24	12716	POLY PUMP SLINGER	1
25	12775A	IMPELLER HEX NUT	1
N/S	12882A	BEARING PEDESTAL	1
N/S	12099	7/16"-14 X 1.25" HHCS	1
N/S	13000	4 VANE IMPELLER REPAIR KIT (ITEMS 1, 3, 6-8, 11, 12, 18, 20, 24 & 12099)	1
N/S	13999	PUMP SEAL/O-RING KIT (ITEMS 1, 3, 8, 11, 12, 18, 20, 24 & 12099)	1

KITS 3" POLY PUMPS		
PART NO	EPDM REPAIR KIT NO	EPDM SEAL KIT NO
300PH-6	13000	13999
300P11PRO	N/A	13999
300PB	13000	13999
300PO	13000	13999



3" POLY MANIFOLD PUMPS

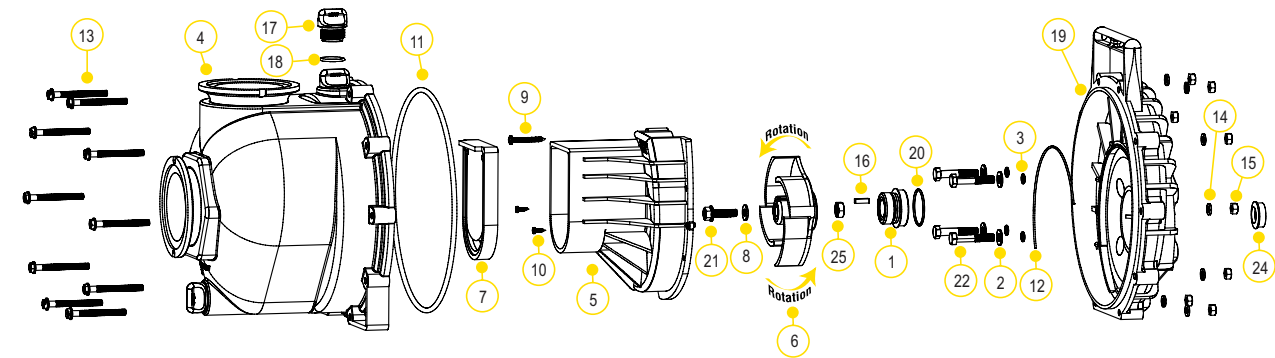
3" POLY MANIFOLD PUMPS

FEATURES

- Pump end separated from engine
- Large weep holes between pump and engine
- V-shaped for quicker priming
- Pump only comes unassembled
- See pages 43-49 on manifold fittings for easy plumbing.



3" POLY MANIFOLD PUMPS W/GAS ENGINES			
PART NO	DESCRIPTION	HP	QTY
M300PH6	3" POLY MANIFOLD PUMP W/6.5 HP HONDA® ENGINE	6.5	1
M300P11PRO	3" POLY MANIFOLD PUMP W/11 HP BRIGGS & STRATTON® PRO SERIES W/ELECTRIC START & PULL ROPE	11	1



REPLACEMENT PARTS 3" POLY MANIFOLD PUMPS

ITEM	PART NO	DESCRIPTION	QTY
1	12713	SEAL ASSEMBLY	1
2	12901	SS REAR BRACKET WASHER	4
3	12717	O-RING FOR SCREW HEAD	4
4	M13712	MANIFOLD BODY ASSEMBLY	1
5	13702	POLY PUMP VOLUTE	1
6	13771	4 VANE TRIMMED IMPELLER (M300PH-6, M300PB & M300PO)	1
6	13772	4 VANE IMPELLER (M300P11PRO)	1
7	12705	CHECK VALVE	1
8	A204	O-RING	1
9	12900	SS UPPER VOLUTE SCREW	4
10	12725	SS VOLUTE SCREWS	2
11	12719A	BODY O-RING	1
12	12754	O-RING SEGMENT	10
13	12720	SS BODY SCREWS	10
14	V07018	SS LOCK WASHERS	10
15	V07019	SS BODY NUTS	1
16	12902A	IMPELLER KEY	2
17	13777	3/4" PLUG	2
18	13778	O-RING	1
19	12703A	POLY PUMP REAR BRACKET	1
20	12710	O-RING FOR SEAL ASSEMBLY	1
21	12765A	SS IMPELLER BOLT 5/16 X 24 X 1.12 (-6)	1
21	13765	SS IMPELLER BOLT 3/8 X 24 X 1.75 (M300P11PRO)	1
22	12715A	SS BRACKET SCREWS	4
23	15751	REAR BRACKET SHIM	1
24	12716	POLY PUMP SLINGER	1
25	12775A	IMPELLER HEX NUT	1
N/S	12882A	BEARING PEDESTAL	1
N/S	12099	7/16"-14 X 1.25" HHCS	1
N/S	13000	4 VANE IMPELLER REPAIR KIT (ITEMS 1, 3, 6-8, 11, 12, 18, 20, 24 & 12099)	1
N/S	13999	PUMP SEAL/O-RING KIT (ITEMS 1, 3, 8, 11, 12, 18, 20, 24 & 12099)	1

KITS 3" POLY PUMPS

PART NO	EPDM REPAIR KIT NO	EPDM SEAL KIT NO
M300PH6	13000	13999
M300P6PRO	13000	13999
M300P11PRO	N/A	13999
M300PB	13000	13999



WARNING! DO NOT RUN PUMP DRY, RESTRICT OR REDUCE PORT SIZES OR DEAD HEAD PUMP



WARNING! DO NOT USE WITH FLAMMABLE LIQUIDS



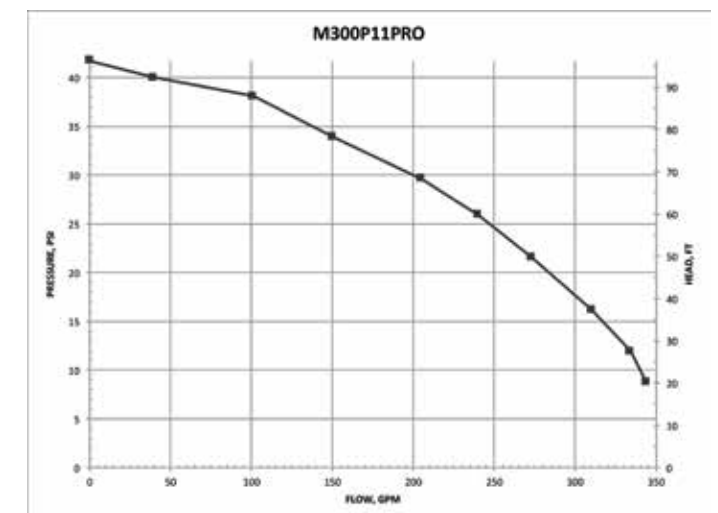
3" POLY MANIFOLD BEARING PEDESTAL

PART NO	DESCRIPTION	HP	QTY
M300PB	3" POLY MANIFOLD BEARING PEDESTAL W/ 3/4" SHAFT & 4 VANE IMPELLER	N/A	1



3" POLY MANIFOLD PUMP ONLY

PART NO	DESCRIPTION	HP	QTY
M300PO	3" POLY MANIFOLD PUMP ONLY W/ 3/4" SHAFT & 4 VANE IMPELLER	N/A	1



CENTRIFUGAL PUMPS

3" POLY PUMPS WITH HYDRAULIC MOTORS

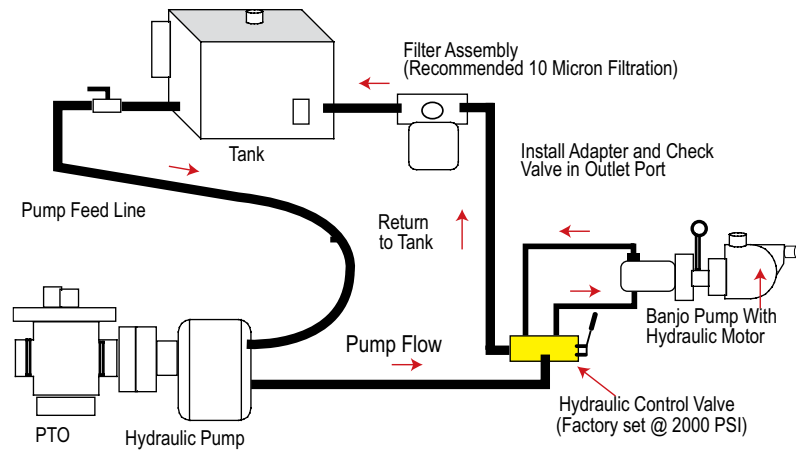
FEATURES

- Precision molded construction
- Lightweight
- Corrosion resistant
- Low maintenance
- Hydraulic fluid capacity is minimum 6 gallons and maximum 10 gallons
- Open or closed system
- 3600 R.P.M.
- Recommendation to use the motor spool control valve or a suitable equivalent. The lack of such a valve in this circuit may cause failure to the hydraulic motor.



3" POLY PUMPS W/HYDRAULIC MOTORS			
PART NO	DESCRIPTION	HP	QTY
300PHY	3" POLY PUMP W/12 HP HYDRAULIC MOTOR	12	1
300PHYW	3" POLY WET SEAL PUMP W/12 HP HYDRAULIC MOTOR	12	1
305PHA	3" POLY PUMP W/5 VANE IMPELLER W/OUT HYDRAULIC MOTOR	N/A	1
305PHAW	3" POLY WET SEAL PUMP W/5 VANE IMPELLER W/OUT HYDRAULIC MOTOR	N/A	1
305PHYVW	3" POLY WET SEAL PUMP W/5 VANE IMPELLER W/ HYDRAULIC MOTOR & FKM SEALS	12	1

SPOOL VALVE ASSEMBLY DIAGRAM



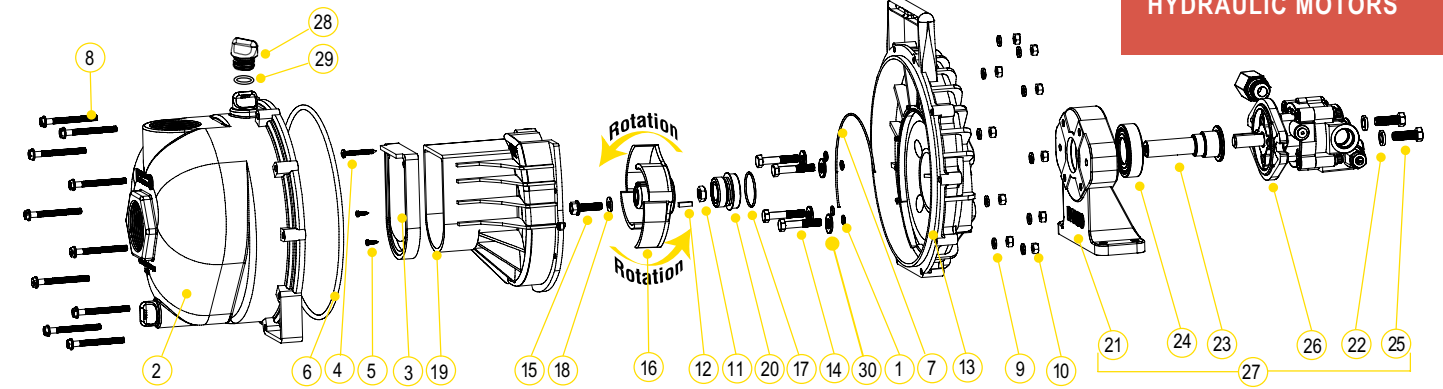
HYDRAULIC MOTOR SPOOL VALVE

PART NO	DESCRIPTION	HP	QTY
HSV1000	HYDRAULIC MOTOR SPOOL VALVE	N/A	1



CENTRIFUGAL PUMPS

3" POLY PUMPS WITH HYDRAULIC MOTORS



REPLACEMENT PARTS 3" POLY PUMPS

ITEM	PART NO	DESCRIPTION	QTY
1	12717	O-RING FOR SCREW HEADS	4
2	13712	BODY ASSEMBLY	1
3	12705	CHECK VALVE	1
4	12900	SS UPPER VOLUTE SCREW	4
5	12725	SS VOLUTE SCREWS	2
6	12719A	BODY O-RING	1
7	12754	O-RING SEGMENT	1
8	12720	SS BODY SCREWS	10
9	V07018	SS LOCK WASHERS	10
10	V07019	SS BODY NUTS	10
11	12775A	IMPELLER HEX NUT	1
12	12902A	IMPELLER KEY	1
13	12703A	POLY PUMP REAR BRACKET	1
14	12715A	5/16"-24 X 1.75" HHCS	4
15	12765A	SS IMPELLER BOLT	1
16	13772	TRIMMED 4 VANE IMPELLER	1
17	12710	O-RING FOR SEAL ASSEMBLY	1
18	A204	O-RING	1
19	13702	POLY PUMP VOLUTE	1
20	12713	MECHANICAL SEAL ASSEMBLY	1
21	12049E	HYDRAULIC PEDESTAL HOUSING (MUST ORDER 17056E & 12055E)	1
22	V20018	3/8" LOCK WASHER	2
23	12055E	ADAPTER SHAFT	1
24	17056E	BEARING	1
25	18010SS	3/8" - 16 X 1 1/8" SS CAP SCREW HXHD	2
26	HY1013	HYDRAULIC MOTOR	1
27	12600B	COMPLETE HYDRAULIC ASSEMBLY	1
28	13777	3/4" PLUG	2
29	13778	O-RING	2
30	12901	SS REAR BRACKET WASHER (300PHY)	4
N/S	HY1003	HYDRAULIC MOTOR SEAL KIT	1
KIT	13000	4 VANE IMPELLER REPAIR KIT (ITEMS 2,4,7-8,16-19, 21, 30, 12099)	1
KIT	13999	PUMP SEAL/O-RING KIT (ITEMS 2,4,7-8,16,18,19, 21, 30, 12099)	1

KITS 3" POLY PUMPS

PART NO	EPDM REPAIR KIT NO	EPDM SEAL KIT NO	HYDRAULIC MOTOR SEAL KIT
300PHY	13000	13999	HY1003

HYDRAULIC MOTOR DATA

U.S. GALLONS/REV.	0.0025
CUBIC INCHES/REV.	0.580
LITERS/REV.	0.0097
MAX HYDRAULIC PRESSURE	2000 PSI
MIN HYDRAULIC PRESSURE	200 PSI
INLET PORT	SAE 10 (7/8-14 UNF-2B)
OUTLET PORT	SAE 10 (7/8-14 UNF-2B)
MINIMUM GPM REQUIRED	6 GPM 2400 RPM
MAXIMUM GPM REQUIRED	10 GPM 4000 RPM
IDEAL GPM REQUIRED	9 GPM 3600 RPM

CONNECTION INFORMATION

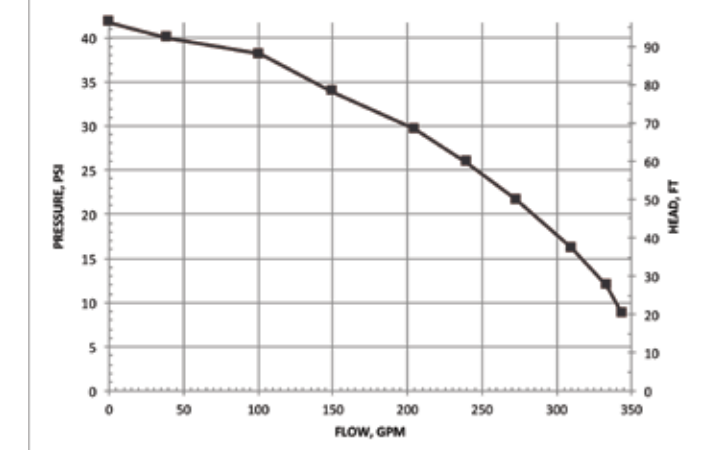
INLET	"A" PORT
OUTLET	"B" PORT

SUPPLIED CHECK VALVE IS TO ENSURE PROPER ROTATION OF THE BANJO PUMP. PLACE CHECK VALVE IN OUTLET PORT (MARKED "B") FOR PROPER RIGHT HAND ROTATION.

SPOOL VALVE INFORMATION

REQUIRED OUTLET FLOW	MIN 6 GPM / MAX 10 GPM
REQUIRED SYSTEM PRESSURE	MIN 600 PSI / MAX 3000 PSI

300PHYW



WARNING! DO NOT RUN PUMP DRY, RESTRICT OR REDUCE PORT SIZES OR DEAD HEAD PUMP

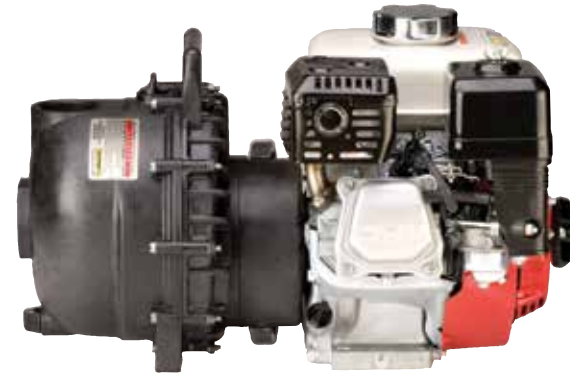


WARNING! DO NOT USE WITH FLAMMABLE LIQUIDS

3" POLY WET SEAL PUMPS

FEATURES

- Run dry capability
- Double seal contained in ethylene glycol reservoir. Carbon ceramic seal faces with stainless steel cup and spring with EPDM rubber.
- V-shaped for quicker priming
- Engine warranty service available at authorized Briggs & Stratton® and Honda® dealers
- Due to weight and size of pumps, Banjo ships these by truck only.



3" POLY WET SEAL PUMPS W/GAS ENGINES

PART NO	DESCRIPTION	HP	QTY
300PH6W	3" POLY WET SEAL PUMP W/6 HP HONDA® ENGINE	6	1
300P11PROV	3" POLY WET SEAL PUMP W/11 HP BRIGGS & STRATTON® ENGINE PRO SERIES W/ELECTRIC START & PULL ROPE	11	1
300PH13W	3" POLY WET SEAL PUMP W/13 HP HONDA® ENGINE W/ELECTRIC START & PULL ROPE	13	1



WARNING! DO NOT USE WITH FLAMMABLE LIQUIDS



3" POLY WET SEAL BEARING PEDESTAL

PART NO	DESCRIPTION	HP	QTY
300PBW	3" POLY WET SEAL BEARING PEDESTAL W/ 3/4" SHAFT & 4 VANE IMPELLER	N/A	1



3" POLY WET SEAL PUMP ONLY

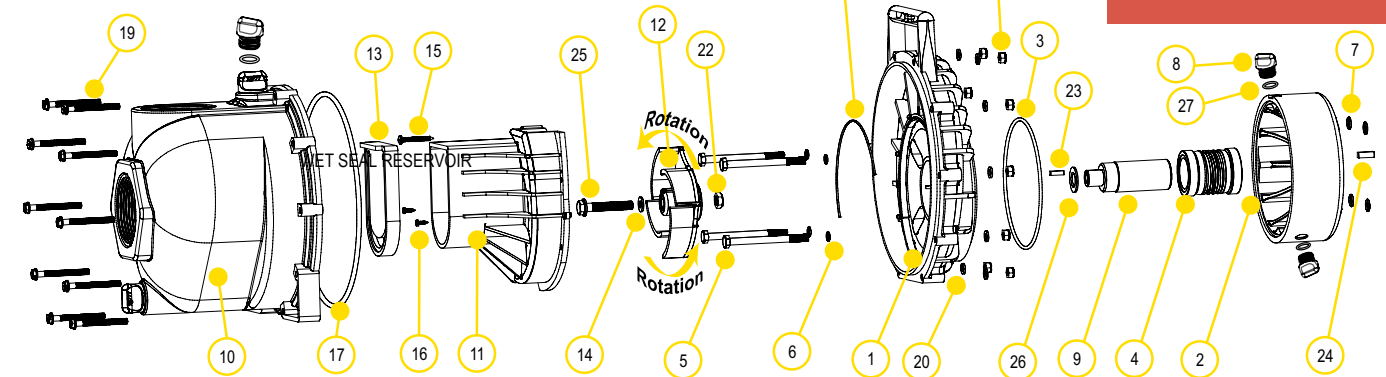
PART NO	DESCRIPTION	HP	QTY
300POW	3" POLY WET SEAL PUMP ONLY FOR 1" SHAFT	N/A	1
300POW6	3" POLY WET SEAL PUMP ONLY FOR 3/4" SHAFT	N/A	1



3" POLY WET SEAL PUMP ONLY W/FKM SEALS

PART NO	DESCRIPTION	HP	QTY
301POWV	3" POLY WET SEAL PUMP ONLY FOR 1" SHAFT & 4 VANE IMPELLER, FKM SEALS	N/A	1

3" POLY WET SEAL PUMPS

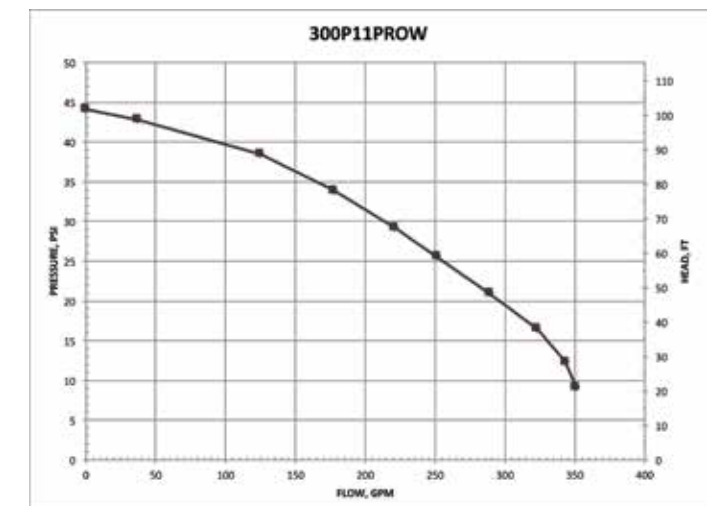


REPLACEMENT PARTS 3" POLY PUMPS

ITEM	PART NO	DESCRIPTION	QTY
1	12703AW	WET SEAL REAR BRACKET	1
2	12201W	WET SEAL RESERVOIR	1
2	12202W	WET SEAL RESERVOIR (300POW6)	1
3	13719	O-RING	1
3	13719V	FKM O-RING (301POWV)	1
4	15035E	EPDM MECHANICAL SEAL ASSEMBLY	1
4	15035	MECHANICAL SEAL ASSEMBLY (301POWV)	1
5	13034	5/16" -24 X 3 3/4" HHCS	4
6	12717	O-RING FOR BRACKET SCREW	4
6	12717V	FKM O-RING FOR BRACKET SCREW (301POWV)	4
7	12709	O-RING	4
7	12709V	FKM O-RING (301POWV)	4
8	12777	1/2" PLUG	4
9	13055	ADAPTER SHAFT (300PH6W & 300PH13W)	1
9	13155M	ADAPTER SHAFT (300P11PROV & 301POWV)	1
9	12155	ADAPTER SHAFT (300PH6W)	1
10	13712	BODY ASSEMBLY	1
10	13712	FKM BODY ASSEMBLY (301POWV)	1
11	13702	VOLUTE	1
12	13772	4 VANE IMPELLER	1
12	13771	TRIMMED IMPELLER (300POW6)	1
13	12705	CHECK VALVE	1
13	12705V	FKM CHECK VALVE (301POWV)	1
14	A204	IMPELLER BOLT GASKET	1
14	A204V	FKM IMPELLER BOLT GASKET (301POWV)	1
15	12900	#10 X 1 1/2" PPH SMS	1
16	12725	#6 X 1/2" PPH SMS	2
17	13719	BODY O-RING	1
17	13719V	FKM BODY O-RING (301POWV)	1
18	12754	O-RING SEGMENT	1
18	12754V	FKM O-RING SEGMENT (301POWV)	1
19	12720	1/4" - 20 X 2 1/2" SL IND HWHS	10
20	V07018	1/4" LOCK WASHER	10
21	V07019	1/4" - 20 HEX NUT	10
22	12775A	7/16" - 14 HEX NUT	1
23	12902A	3/16" SQ. X 3/8" KEY	2
24	16901	1/4" SQUARE KEY	1
25	13766	3/8" - 24 X 2 1/4" HFS	1
25	BM1070	M10-1.5 X 70 MM HHCS (301POWV)	1

REPLACEMENT PARTS 3" POLY PUMPS

ITEM	PART NO	DESCRIPTION	QTY
26	CV10175	GASKET	1
26	CV10175V	FKM GASKET (301POWV)	1
27	UV15163	O-RING FOR DRAIN PLUG	4
27	UV15163V	FKM O-RING FOR DRAIN PLUG (301POWV)	4



3" POLY MANIFOLD WET SEAL PUMPS

FEATURES

- Run dry capability
- Double seal contained in ethylene glycol reservoir. Carbon ceramic seal faces with stainless steel cup and spring with EPDM rubber
- Pump end separated from engine
- V-shaped for quicker priming
- Engine warranty service available at authorized dealers
- See pages 43-49 on manifold fittings for easy plumbing.



3" POLY MANIFOLD WET SEAL PUMPS W/GAS ENGINES

PART NO	DESCRIPTION	HP	QTY
M300PH6W	3" POLY MANIFOLD WET SEAL PUMP W/6 HP HONDA® ENGINE	6	1



3" POLY MANIFOLD WET SEAL BEARING PEDESTAL

PART NO	DESCRIPTION	HP	QTY
M300PBW	3" POLY MANIFOLD WET SEAL BEARING PEDESTAL W/ 3/4" SHAFT & 4 VANE IMPELLER	N/A	1



3" POLY MANIFOLD WET SEAL PUMP ONLYS

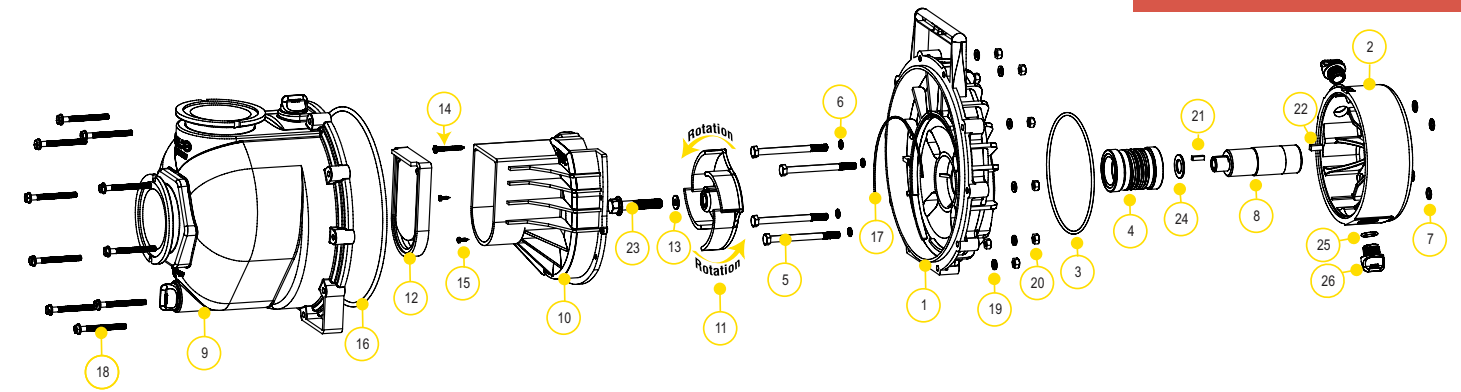
PART NO	DESCRIPTION	HP	QTY
M300POW	3" POLY MANIFOLD WET SEAL PUMP ONLY	N/A	1
M300POW6	3" POLY MANIFOLD WET SEAL PUMP ONLY FOR 3/4" SHAFT	N/A	1



3" POLY MANIFOLD WET SEAL PUMP W/HYDRAULIC

PART NO	DESCRIPTION	HP	QTY
M305PHYW	3" POLY MANIFOLD WET SEAL PUMP W/HYDRAULIC MOTOR	N/A	1

3" POLY MANIFOLD WET SEAL PUMPS

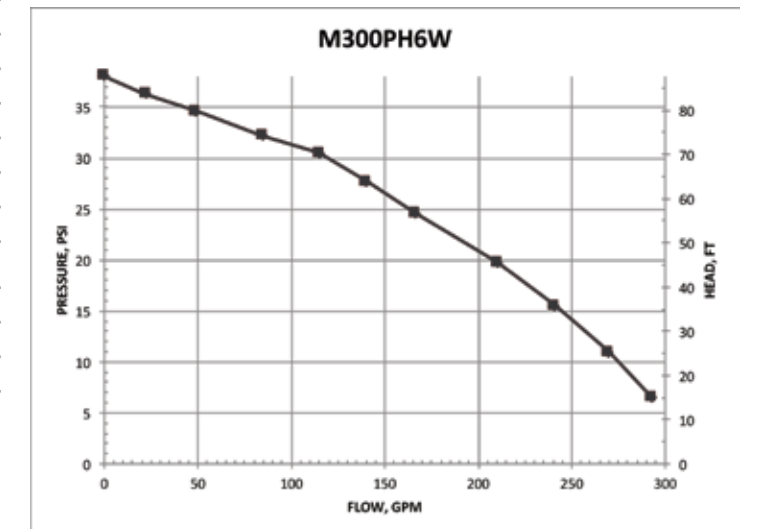


REPLACEMENT PARTS 3" POLY PUMPS

ITEM	PART NO	DESCRIPTION	QTY
1	12707W	WET SEAL REAR BRACKET FOR 6 HP HONDA® ENGINE & BEARING PEDESTAL	1
2	12202W	WET SEAL RESERVOIR FOR 6 HP HONDA® ENGINE & BEARING PEDESTAL	1
3	13719	O-RING	1
4	15035E	MECHANICAL SEAL ASSEMBLY EPDM	1
5	13034	5/16" - 24 X 3 3/4" HHCS	4
6	12717	O-RING FOR BRACKET SCREW	4
7	12709	O-RING	4
8	12155	ADAPTER SHAFT FOR 6 HP HONDA® ENGINE & BEARING PEDESTAL	1
9	M13712	MANIFOLD BODY ASSEMBLY	1
10	13702	VOLUTE	1
11	13772	4 VANE IMPELLER	1
12	12705	CHECK VALVE	1
13	A204	O-RING	1
14	12900	#10 X 1 1/2" PPH SMS 18-8 SS	1
15	12725	#6 X 1 1/2" PPH SMS 18-8 SS	1
16	12719A	BODY O-RING	1
17	12754	O-RING SEGMENT	1
18	12720	1/4" - 20 X 2 1/2" SL IND HWHS	10
19	V07018	1/4" LOCK WASHER	10
20	V07019	1/4" - 20 HEX NUT	10
21	12902A	3/16" SQ. X 5/8" KEY	1
22	16901	1/4" SQ. 3/4" KEY STOCK	1
23	12766	5/16"-24 X 3 3/4" HFS FOR 6 HP HONDA® ENGINE & BEARING PEDESTAL	1
24	CV10175	GASKET	1
25	UV15163	O-RING	2
26	12777	1/2" PLUG	2



WARNING! DO NOT USE WITH FLAMMABLE LIQUIDS



CENTRIFUGAL PUMPS

1½" - 2" CAST IRON PUMPS

FEATURES

- Cast iron construction for rugged dependable service
- Stainless steel shaft sleeve to protect engine shaft
- Carbon ceramic seal with stainless steel cup and spring with FKM rubber
- Replaceable inlet and outlet flanges
- Dynamically balanced impeller
- Pump only packs complete and ready for attachment to gasoline engine
- Pedestal pump for long coupling to electric motor
- Recommendation for 5/8" shaft: 56C frame size, 3 HP, 3450 RPM & 5" max impeller for close coupling to electric motors
- Recommendation for 7/8" shaft: 145TC frame size, 3 HP, 3450 RPM & 5" max impeller for close coupling to electric motors
- Engine warranty service available at authorized dealers



WARNING! DO NOT RUN PUMP DRY, RESTRICT OR REDUCE PORT SIZES OR DEAD HEAD PUMP



WARNING! DO NOT USE WITH FLAMMABLE LIQUIDS



2" CAST IRON PUMP W/GAS ENGINES

PART NO	DESCRIPTION	HP	QTY
200PI-3	2" CAST IRON PUMP W/3.5 HP BRIGGS & STRATTON® ENGINE	3.5	1
200PI6PRO	2" CAST IRON PUMP W/6.5 HP BRIGGS & STRATTON® ENGINE PRO SERIES	6.5	1
200PIH-5	2" CAST IRON PUMP W/5.5 HP HONDA® ENGINE	5.5	1
200PIH5E	2" CAST IRON PUMP W/5.5 HP HONDA® ENGINE W/ ELECTRIC START	5.5	1



2" CAST IRON PUMP ONLY

PART NO	DESCRIPTION	HP	QTY
200POI	2" CAST IRON PUMP ONLY W/ 3/4" SHAFT SLEEVE	N/A	1



1½" CAST IRON C-FLANGE PUMPS

PART NO	DESCRIPTION	HP	QTY
150POICF5/8-4.1	1½" CAST IRON C-FLANGE PUMP W/ 5/8" SHAFT SLEEVE & 4.1 IMPELLER	N/A	1

2" CAST IRON C-FLANGE PUMPS

PART NO	DESCRIPTION	HP	QTY
200POICF5/8	2" CAST IRON C-FLANGE PUMP W/ 5/8" SHAFT SLEEVE	N/A	1
200POICF7/8	2" CAST IRON C-FLANGE PUMP W/ 7/8" SHAFT SLEEVE	N/A	1

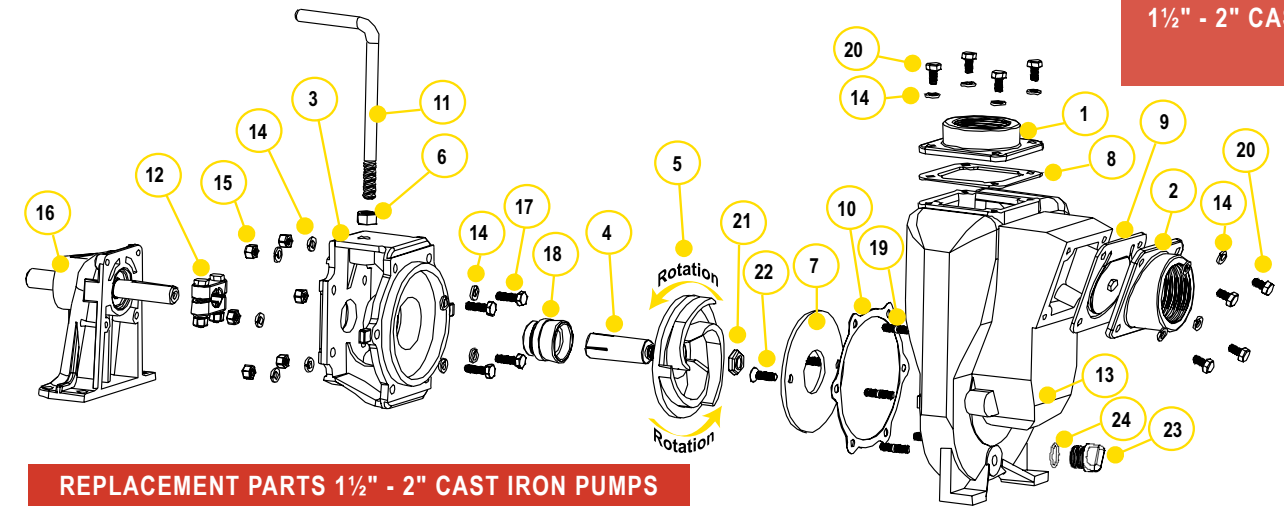


2" CAST IRON BEARING PEDESTAL

PART NO	DESCRIPTION	HP	QTY
200PBI	2" CAST IRON BEARING PEDESTAL W/ 3/4" STRAIGHT SHAFT	N/A	1

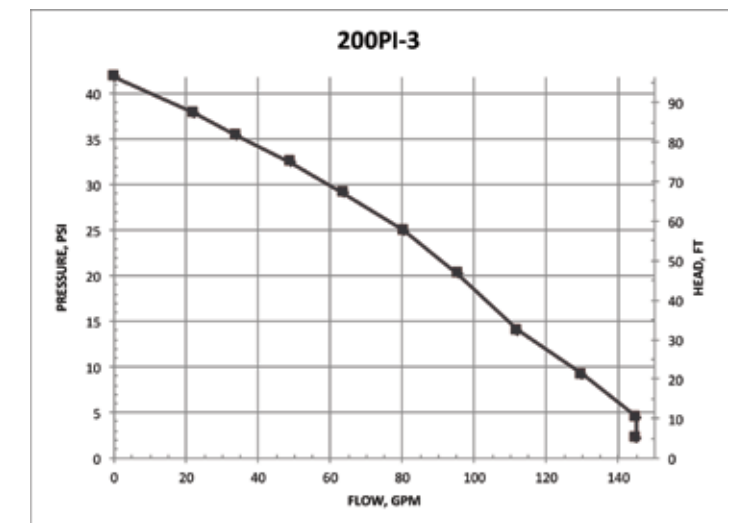
CENTRIFUGAL PUMPS

1½" - 2" CAST IRON PUMPS



REPLACEMENT PARTS 1½" - 2" CAST IRON PUMPS

ITEM	PART NO	DESCRIPTION	QTY
1	17001	1½" NPT OUTLET FLANGE	1
1	17000	2" NPT OUTLET FLANGE	1
2	17003	1½" NPT INLET FLANGE	1
2	17002	2" NPT INLET FLANGE	1
3	17004	ADAPTER FOR GAS ENGINE	1
3	17046	C-FACE ADAPTER	1
4	17005	5/8" SLEEVE DRIVE FOR ELECTRIC MOTOR	1
4*	17006	3/4" SLEEVE DRIVE	1
4	17007	7/8" SLEEVE DRIVE FOR ELECTRIC MOTOR	1
5*	17008	5" IMPELLER	1
5	17008-4.6	4.6" TRIMMED IMPELLER	1
5	17008-4.1	4.1" TRIMMED IMPELLER	1
6	17010	½" HEX NUT	1
7*	17011	WEAR PLATE	1
8	17013	EPDM GASKET	1
9	17016	CHECK VALVE ASSEMBLY	1
10*	17018	GASKET ADAPTER	1
11	15022	HANDLE	1
12	17023	5/8" CLAMP FOR 3/4" SHAFT ASSEMBLY (OLD STYLE)	1
12	17123	5/8" CLAMP FOR 3/4" SHAFT ASSEMBLY (KEYED)	1
12	17024	7/8" CLAMP FOR SHAFT ASSEMBLY	1
13	17026	PUMP HOUSING	1
14	V10118	5/16" LOCK WASHER	18
15	V10119	5/16" - 18 SS HEX NUT	6
N/S	12884	INTERNAL RETAINING CLIP FOR PEDESTAL	1
N/S	12883B	BEARINGS	2
16	12882A	COMPLETE PEDESTAL ASSEMBLY	1
17	17040	5/16" - 24 X 1.00" CAP SCREW	4
18	17028	EPDM SEAL ASSEMBLY	1
18*	17035	FKM SEAL ASSEMBLY	1
18	17035SD	SEVERE DUTY SEAL	1
19	17042	STUD	6
20	17019	5/16" - 18 X 3/4" CAP SCREW	8
21	17009B	5/8" IMPELLER NUT	1
22	17130	5/16" - 18 X 1.00" FHSCS, 18-8 SS	2
23	12777	½" PLUG	1
24	UV15163	O-RING	1
N/S	17033	Z RAILS (PAIR)	1
N/S	17100	REPAIR KIT (CONSISTS OF ITEMS 4*, 5*, 7, 10, 18*)	1



2" CAST IRON WET SEAL PUMPS

FEATURES

- Cast iron construction for rugged dependable service
- Stainless steel hardware
- FKM double seal contained in glycol reservoir
- Replaceable inlet and outlet flanges
- Dynamically balanced impeller
- Pump only packs complete and ready for attachment to gasoline engine
- Pedestal pump for long coupling to electric motor
- Due to weight and size of pumps, Banjo ships these by truck only.



2" CAST IRON WET SEAL PUMPS W/GAS ENGINES

PART NO	DESCRIPTION	HP	QTY
201PIH5W	2" CAST IRON WET SEAL PUMP W/5.5 HP HONDA® ENGINE	5.5	1



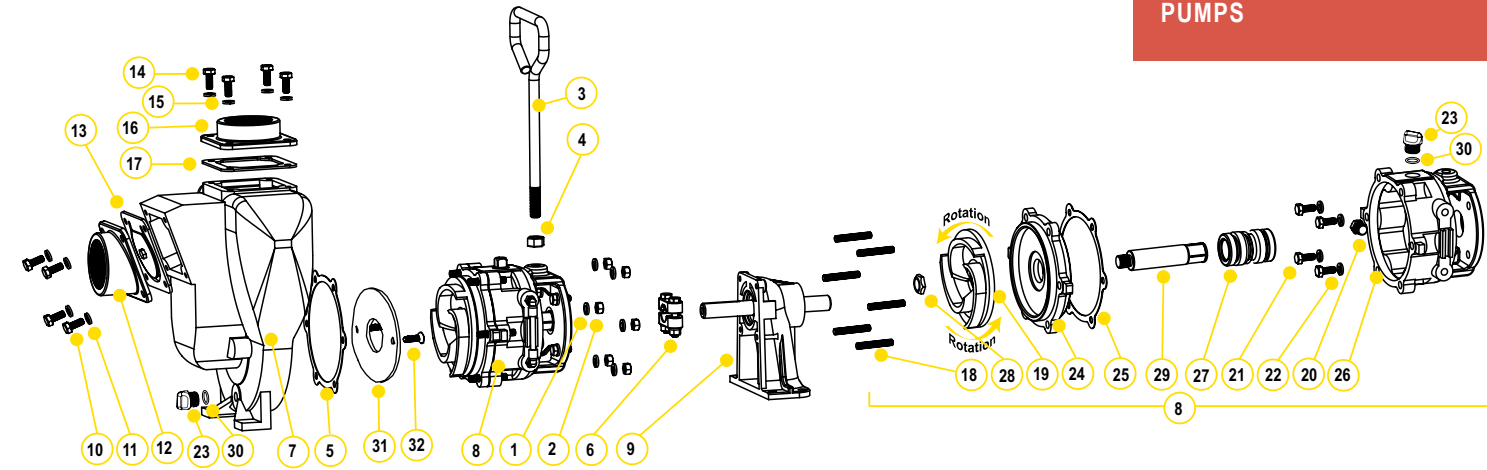
2" CAST IRON WET SEAL PUMP ONLY

PART NO	DESCRIPTION	HP	QTY
201POIW	2" CAST IRON WET SEAL PUMP ONLY	N/A	1



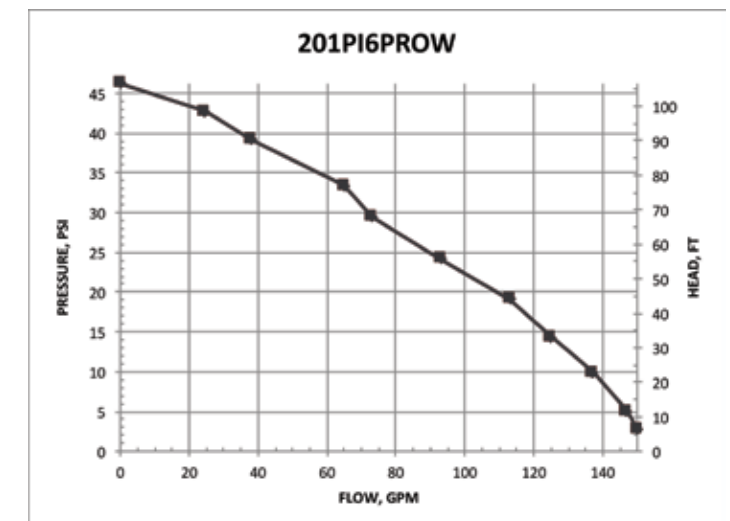
2" CAST IRON WET SEAL PUMP BEARING PEDESTAL

PART NO	DESCRIPTION	HP	QTY
201PBIW	2" CAST IRON WET SEAL PUMP WITH BEARING PEDESTAL	N/A	1



REPLACEMENT PARTS 2" CAST IRON PUMPS

ITEM	PART NO	DESCRIPTION	QTY
1	V10118	5/16" LOCK WASHER	6
2	V10119	5/16" -18 HEX NUT	6
3	15022	HANDLE	1
4	17010	1/2" HEX NUT	1
5	17018	GASKET ADAPTER	1
6	17123	5/8" CLAMP, 3/4" SHAFT ASSEMBLY KEYED	1
7	17226	PUMP HOUSING	1
8	17200A	WET SEAL ASSEMBLY	1
9	12882A	BEARING PEDESTAL	1
10	17019	5/16"-18 X 3/4" HHCS	4
11	V10118	5/16" LOCK WASHER	4
12	17002	2" NPT INLET FLANGE	1
13	17016	EPDM CHECK VALVE GASKET ASSEMBLY	1
14	17019	5/16"-18 X 3/4" HHCS	4
15	V10118	5/16" LOCK WASHER	4
16	17000	2" NPT OUTLET FLANGE	1
17	17013	EPDM OUTLET GASKET	1
18	17242	HOUSING STUD	6
19	17208	IMPELLER	1
20	17032	PIPE PLUG	1
21	17019	5/16"-18 X 3/4" CAP SCREW	4
22	V10118	5/16" LOCK WASHER	4
23	12777	1/2" PLUG	2
24	17202	COVER PLATE	1
25	17018	GASKET ADAPTER	1
26	17201A	RESERVOIR	1
27	17235	FKM MECHANICAL SEAL ASSEMBLY	1
28	17009B	5/8" IMPELLER NUT	1
29	17206A	ADAPTER SHAFT	1
30	UV15163	O-RING	2
31	17011	Wear Plate	1
32	17130	5/16-18 X 1.00" FHSCS, 18-8 SS	1



WARNING! DO NOT RUN PUMP DRY, RESTRICT OR REDUCE PORT SIZES OR DEAD HEAD PUMP



WARNING! DO NOT USE WITH FLAMMABLE LIQUIDS

2" CAST IRON PUMPS WITH ELECTRIC MOTORS

FEATURES

- Cast iron construction for rugged dependable service
- Stainless steel shaft sleeve to protect engine shaft
- Carbon ceramic seal with stainless steel cup and spring with FKM rubber
- Replaceable inlet and outlet flanges
- Dynamically balanced impeller
- Pump only packs complete and ready for attachment to gasoline engine
- Due to weight and size of pumps, Banjo ships these by truck only.
- Motor warranty service available at authorized dealers
- Motor features include pressure cast aluminum end plates with ribbed design for rigidity, heavy gauge steel frame, 230 volt, with inverter spike resistance magnet wire



2" CAST IRON PUMPS W/ELECTRIC MOTORS

PART NO	DESCRIPTION	HP	QTY
234PIE5	2" CAST IRON PUMP W/5 HP THREE PHASE ELECTRIC MOTOR	5	1
234PIE51	2" CAST IRON PUMP W/5 HP SINGLE PHASE ELECTRIC MOTOR	5	1

2" CAST IRON PUMP ONLY

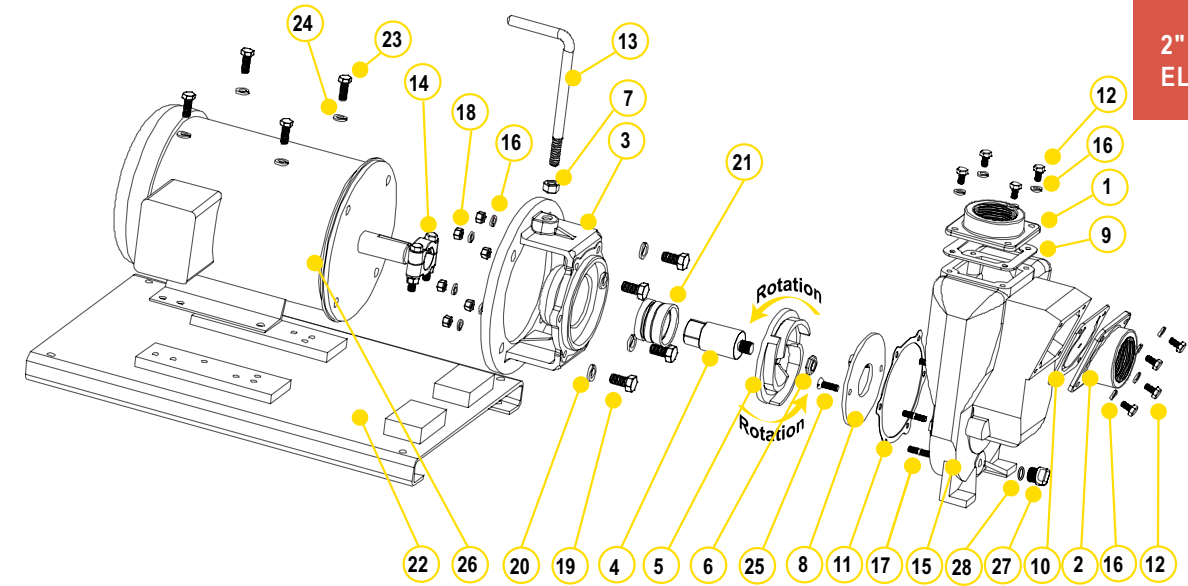
PART NO	DESCRIPTION	HP	QTY
234POI	2" CAST IRON WET SEAL PUMP ONLY W 184TC FRAME ADAPTER	N/A	1



WARNING! DO NOT RUN PUMP DRY, RESTRICT OR REDUCE PORT SIZES OR DEAD HEAD PUMP



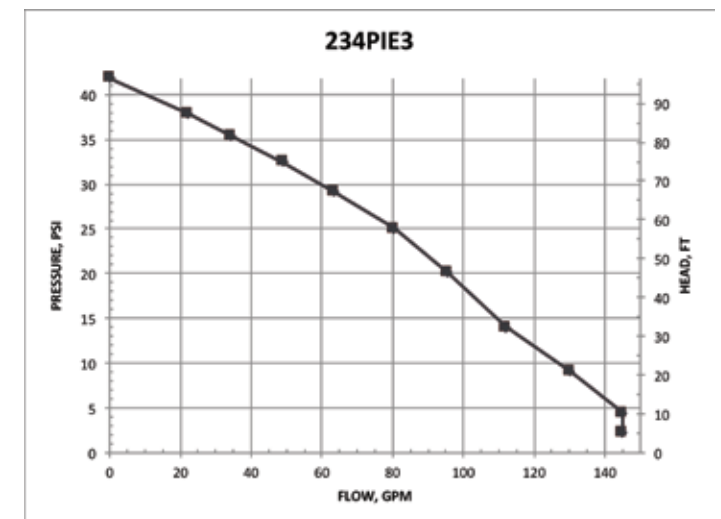
WARNING! DO NOT USE WITH FLAMMABLE LIQUIDS



REPLACEMENT PARTS 2" CAST IRON PUMPS

ITEM	PART NO	DESCRIPTION	QTY
1	17000	2" NPT OUTLET FLANGE	1
2	17002	2" NPT INLET FLANGE	1
3	17046	C-FACE ADAPTER (234PIE3)	1
3	17446	C-FACE ADAPTER	1
4	17007	IMPELLER SHAFT (234PIE3)	1
4	17406	IMPELLER SHAFT	1
5	17008	IMPELLER (234PIE3)	1
5	17408	IMPELLER	1
6	17009B	5/8" IMPELLER NUT	1
7	17010	1/2" HEX NUT	1
8	17011	WEAR PLATE	1
9	17013	OUTLET GASKET	1
10	17016	GASKET & CHECK VALVE	1
11	17018	GASKET ADAPTER	1
12	17019	BOLT	8
13	15022	HANDLE	1
14	17024	CLAMP ASSEMBLY W/KEY (234PIE3)	1
14	18129	CLAMP ASSEMBLY W/KEY	1
15	17026	PUMP HOUSING	1
16	V10118	5/16" LOCK WASHER	20
17	17042	HOUSING STUD	6
18	V10119	HEX NUT	8
19	17449	BOLT	4
20	18058	WASHER	4
21	17035	SEAL ASSEMBLY (234PIE3)	1
21	18025	SEAL ASSEMBLY	1
22	17701	BASE PLATE ASSEMBLY	1
23	17704	BOLT	4
24	V20018	3/8" LOCK WASHER	4
25	17130	5/16-18 X 1.00" FHSCS, 18-8 SS	2
26	BEM5	ELECTRIC MOTOR	1
27	12777	1/2" PLUG	1
28	UV15163	O-RING FOR DRAIN PLUG	1

2" CAST IRON PUMPS WITH ELECTRIC MOTORS



2" CAST IRON PUMPS WITH HYDRAULIC MOTORS

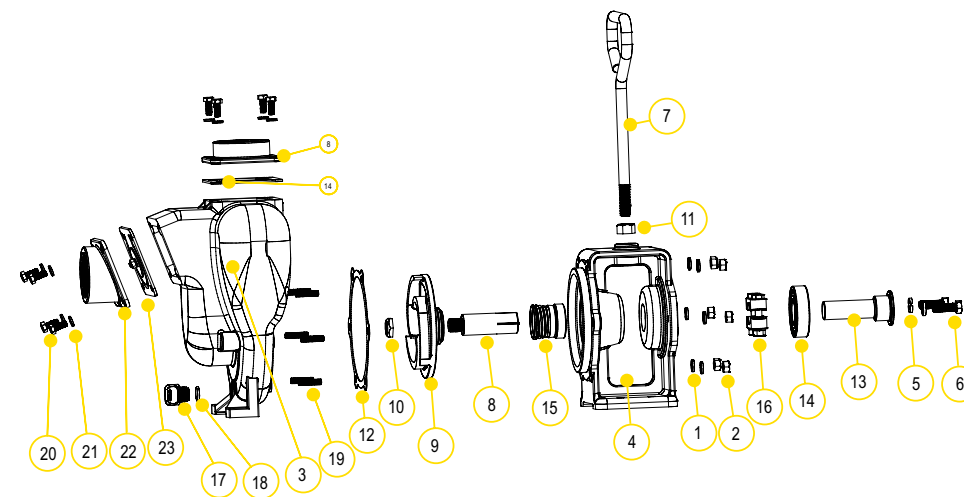
FEATURES

- Cast iron construction for rugged dependable service
- Stainless steel hardware
- Replaceable inlet and outlet flanges
- Dynamically balanced impeller
- Hydraulic fluid capacity is minimum 6 gallons and maximum 10 gallons
- Open or closed system
- 12 HP motor
- Recommendation to use the motor spool control valve or a suitable equivalent. The lack of such a valve in this circuit may cause failure to the hydraulic motor.



2" CAST IRON PUMPS WITH/WITHOUT HYDRAULIC MOTORS

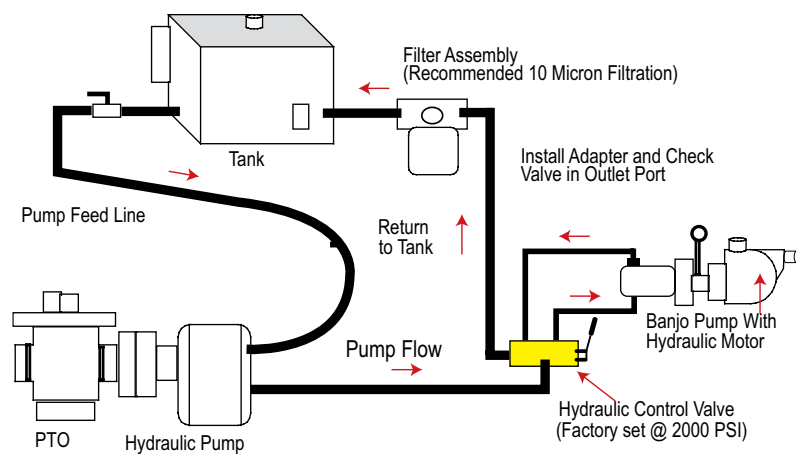
PART NO	DESCRIPTION	HP	QTY
200PIHA	2" CAST IRON PUMP ONLY WITHOUT HYDRAULIC MOTOR	N/A	1
200PIHY	2" CAST IRON PUMP ONLY WITH HYDRAULIC MOTOR	12	1



REPLACEMENT PARTS 2" CAST IRON PUMPS

ITEM	PART NO	DESCRIPTION	QTY
1	V10118	5/16" SPLIT LOCK WASHER	6
2	V10119	5/16"-18 HEX NUT	6
3	17026	PUMP HOUSING	1
4	17049A	HYDRAULIC ADAPTER	1
5	V20018	3/8" LOCK WASHER	2
6	18010SS	3/8"-16 X 1.25" HHCS	2
7	15022	HANDLE	1
8	17007	7/8" SLEEVE DRIVE FOR HYDRAULIC MOTOR	1
9	17008	5" IMPELLER	1
10	17009B	5/8" IMPELLER NUT	1
11	17010	1/2" HEX NUT - 13UNF-RH	1
12	17018	GASKET ADAPTER	1
13	17055A	HYDRAULIC ADAPTER SHAFT	1
14	17056	SKF 6206-2RS1 BEARING	1
15	17035	FKM SEAL ASSEMBLY	1
16	17024	7/8" CLAMP, NO KEY	1
17	12777	1/2" PLUG	1
18	UV15163	O-RING	1

SPOOL VALVE ASSEMBLY DIAGRAM



HYDRAULIC MOTOR SPOOL VALVE

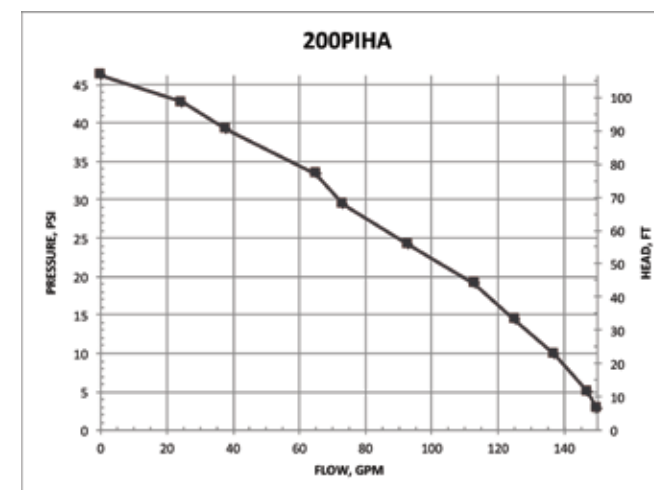
PART NO	DESCRIPTION	HP	QTY
HSV1000	HYDRAULIC MOTOR SPOOL VALVE	N/A	1



WARNING! DO NOT RUN PUMP DRY, RESTRICT OR REDUCE PORT SIZES OR DEAD HEAD PUMP



WARNING! DO NOT USE WITH FLAMMABLE LIQUIDS



2" 222 SERIES CAST IRON PUMPS

FEATURES

- Cast iron construction for rugged dependable service
- Carbon ceramic seal with stainless steel cup and spring with FKM rubber
- Replaceable inlet and outlet flanges
- Dynamically balanced impeller
- Heavy duty slinger seal on motor shaft
- Large weep holes between pump end and engine
- Pump only packs complete and ready for attachment to gasoline engine
- Pedestal pump for long coupling to electric motor
- Recommendation for 3/4" shaft: 5 HP, 3600 RPM
- Recommendation for 225POI: use with 10 pound per gallon material or more
- Due to weight and size of pumps, Banjo ships these by truck only.
- Engine warranty service available at authorized dealers



WARNING! DO NOT RUN PUMP DRY, RESTRICT OR REDUCE PORT SIZES OR DEAD HEAD PUMP



WARNING! DO NOT USE WITH FLAMMABLE LIQUIDS



POWERED by **HONDA**

222 SERIES CAST IRON PUMPS W/GAS ENGINES

PART NO	DESCRIPTION	HP	QTY
222PIH5	2" CAST IRON PUMP W/5.5 HP HONDA® ENGINE	5.5	1
222PIH6	2" CAST IRON PUMP W/6.5 HP HONDA® ENGINE	6.5	1
222PIH5E	2" CAST IRON PUMP W/5.5 HP HONDA® ENGINE W/ ELECTRIC START	5.5	1
222PI6PRO	2" CAST IRON PUMP W/6.5 HP BRIGGS & STRATTON® ENGINE PRO SERIES	6.5	1



222 SERIES CAST IRON PUMP ONLYS

PART NO	DESCRIPTION	HP	QTY
222POI	2" CAST IRON PUMP ONLY W/ FULL IMPELLER	N/A	1



222 SERIES CAST IRON BEARING PEDESTAL

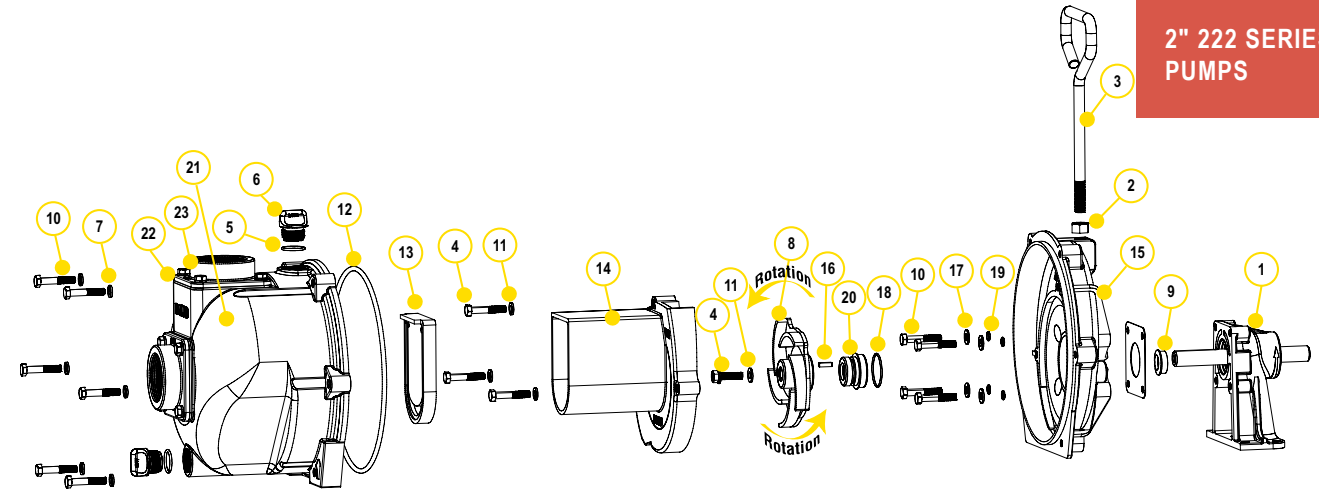
PART NO	DESCRIPTION	HP	QTY
222PBI	2" CAST IRON BEARING PEDESTAL W/ 3/4" STRAIGHT KEYED SHAFT	N/A	1



222 SERIES CAST IRON HYDRAULIC PUMPS

PART NO	DESCRIPTION	HP	QTY
222PIHY	2" CAST IRON PUMP W/12 HP HYDRAULIC MOTOR	12	1

2" 222 SERIES CAST IRON PUMPS

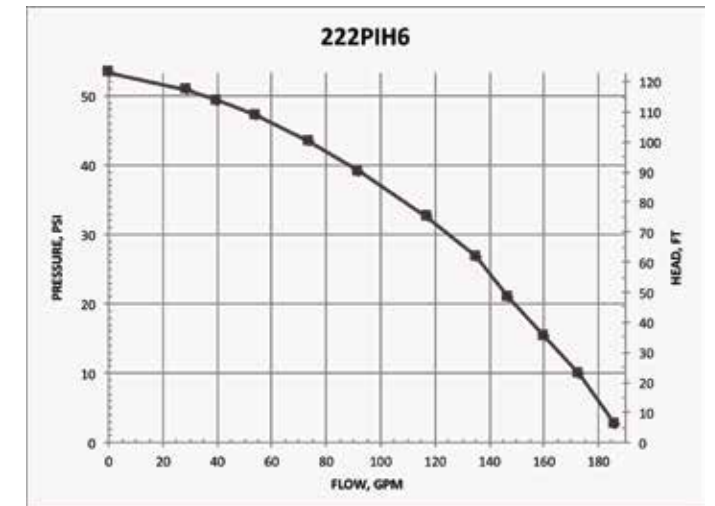


REPLACEMENT PARTS 2" CAST IRON PUMPS

ITEM	PART NO	DESCRIPTION	QTY
1	12882A	BEARING PEDESTAL ASSEMBLY	1
1	12600B	HYDRAULIC PEDESTAL ASSEMBLY	1
2	17010	1/2" JAM NUT	1
3	15022	HANDLE	1
4	12765A	5/16" - 24 X 1.12 IMPELLER BOLT	1
5	13778	O-RING	2
6	13777	3/4" PLUG	2
7	V10118	5/16" LOCK WASHER	9
8	15772	5 VANE IMPELLER	1
9	12716	PUMP SLINGER	1
10	12715A	5/16" - 24 X 1.75 HHCS	13
11	A204	O-RING	1
12	12719A	BODY O-RING	1
13	12705	CHECK VALVE	1
14	15702	VOLUTE	1
15	15703	REAR BRACKET	1
16	12902A	3/16" SQ X 5/8" KEY	1
17	12901	5/16" FLAT WASHER	4
18	12710	O-RING	1
19	12717	O-RING	4
20	12713V	SEAL ASSEMBLY	1
20	12713SD	SEVERE DUTY SEAL	1
21	15712	BODY	1
22	17013	FLANGE GASKET	2
23	17000	2" NPT THREADED FLANGE	2
24	17019	5/16" - 18 X 0.75 HHCS	8
25	V10118	5/16" LOCK WASHER	8
N/S	12099	7/16"-14 X 1.25" HHCS	1
N/S	15751	BRACKET SHIM	1
N/S	15752	IMPELLER SHIM	1
N/S	17033	Z-RAILS	1 PAIR
N/S	17034	5/16" - 18 X 1 3/4" ZINC PLATED	4
N/S	V10119	5/16" - 18 HEX NUT	4
N/S	V10118	5/16" LOCK WASHER	4
N/S	15000	REPAIR KIT (ITEMS 5, 8, 11-12, 18-20, 12099, 15751 & 15752)	1
N/S	15000V	FKM REPAIR KIT	1
N/S	15999	SEAL KIT (ITEMS 5, 11-12, 18-20, 12099, 15751 & 15752)	1
N/S	15999V	FKM SEAL KIT	1

KITS 222 CAST IRON PUMPS

PART NO	EPDM REPAIR KIT NO	FKM REPAIR KIT NO	EPDM SEAL KIT NO	FKM SEAL KIT NO
222PIH5	15000	15000V	15999	15999V
222PIH6	15000	15000V	15999	15999V
222PIH5E	15000	15000V	15999	15999V
222PI6PRO	15000	15000V	15999	15999V
222POI	15000	15000V	15999	15999V
225POI	15000	15000V	15999	15999V
222PBI	15000	15000V	15999	15999V
222PIHY	15000	15000V	15999	15999V



CENTRIFUGAL PUMPS

CENTRIFUGAL PUMPS

2" 222 SERIES CAST IRON PUMPS WITH ELECTRIC MOTORS

FEATURES

- Cast iron construction for rugged dependable service
- Carbon ceramic seal with stainless steel cup and spring with FKM rubber
- Replaceable inlet and outlet flanges
- Dynamically balanced impeller
- Heavy duty slinger seal on motor shaft
- Large weep holes between pump end and engine
- Motor features include pressure cast aluminum end plates with ribbed design for rigidity, heavy gauge steel frame, 230 volt, with inverter spike resistance magnet wire
- Due to weight and size of pumps, Banjo ships these by truck only.



222 SERIES CAST IRON PUMPS W/ELECTRIC MOTORS

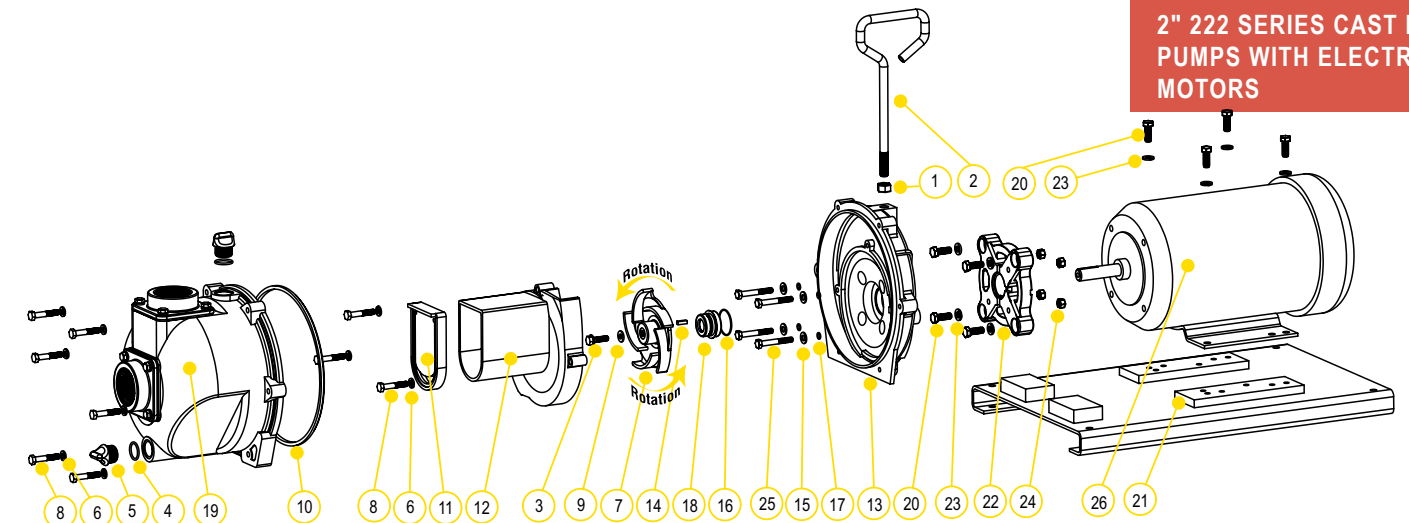
PART NO	DESCRIPTION	HP	QTY
222PIE5	2" CAST IRON PUMP W/5 HP THREE PHASE ELECTRIC MOTOR	5	1
222PIE51	2" CAST IRON PUMP W/5 HP SINGLE PHASE ELECTRIC MOTOR	5	1



WARNING! DO NOT RUN PUMP DRY, RESTRICT OR REDUCE PORT SIZES OR DEAD HEAD PUMP



WARNING! DO NOT USE WITH FLAMMABLE LIQUIDS



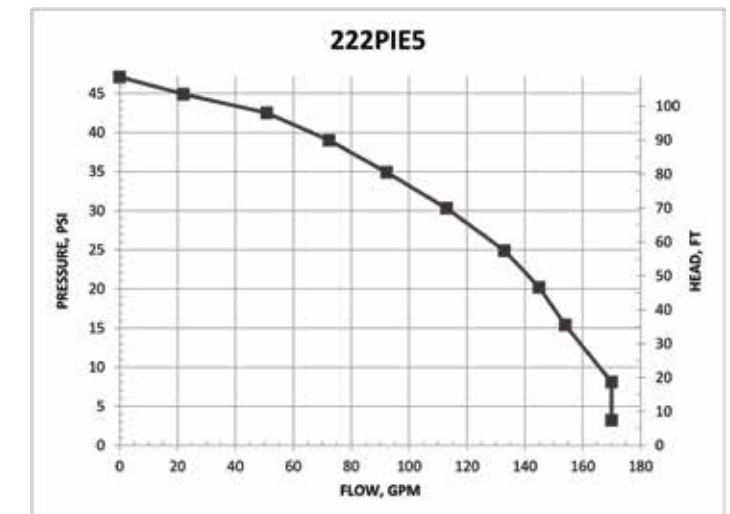
2" 222 SERIES CAST IRON PUMPS WITH ELECTRIC MOTORS

REPLACEMENT PARTS 222 SERIES CAST IRON PUMPS

ITEM	PART NO	DESCRIPTION	QTY
1	17010	1/2" JAM NUT	1
2	15022	HANDLE	1
3	12765A	5/16" - 24 X 1.12 IMPELLER BOLT	1
4	13778	O-RING	2
5	13777	3/4" PLUG	2
6	V10118	5/16" LOCK WASHER	9
7	15772	5 VANE IMPELLER	1
8	12715A	5/16" - 24 X 1.75 HHCS	13
9	A204	O-RING	1
10	12719A	BODY O-RING	1
11	12705	CHECK VALVE	1
12	15702	VOLUTE	1
13	15703	REAR BRACKET	1
14	12902A	3/16" SQ. X 5/8" KEY	1
15	12901	5/16" FLAT WASHER	1
16	12710	O-RING	4
17	12717	O-RING	1
18	12713V	SEAL ASSEMBLY	4
18	12713SD	SEVERE DUTY SEAL	1
19	15712	BODY	1
20	17704	3/16" - 16 X 1.25 HHCS BOLT	8
21	17701	C-FACED BASE PLATE	1
22	12046	56C ADAPTER	1
23	V20018	3/8" LOCK WASHER	8
24	V20019	3/8" 16 SS HEX NUT	4
25	BF107	5/16" - 18 X 2 1/4" HHCS BOLT	4
26	BEM5-182CZ	5 HP 3450 RPM THREE PHASE MOTOR	1
26	BEM51-182CZ	5 HP 3450 RPM SINGLE PHASE MOTOR	1
N/S	12099	7/16"-14 X 1.25" HHCS	1
N/S	15751	BRACKET SHIM	1
N/S	15752	IMPELLER SHIM	1
N/S	12756	ADAPTER KIT (ITEMS 14, 20, 22, 23, 12052, 12053, 15751, 15752, 17029)	1
N/S	15000	REPAIR KIT (ITEMS 4,7,9-11,14,16-18,12099,15751 & 15752)	1
N/S	15000V	FKM REPAIR KIT	1
N/S	15999	SEAL KIT (ITEMS 4, 9-11, 14,16-18,12099,15751 & 15752)	1
N/S	15999V	FKM SEAL KIT	1

KITS 222 CAST IRON PUMPS

PART NO	EPDM REPAIR KIT NO	FKM REPAIR KIT NO	EPDM SEAL KIT NO	ADAPTER KIT NO
222PIE5	15000	15000V	15999	12756
222PIE51	15000	15000V	15999	12756



2" M222 SERIES CAST IRON MANIFOLD WET SEAL PUMPS

FEATURES

- Run dry capability
- Cast iron construction for rugged dependable service
- Carbon ceramic seal with stainless steel cup and spring with EPDM rubber
- Replaceable inlet and outlet flanges
- Dynamically balanced impeller
- Heavy duty slinger seal on motor shaft
- Large weep holes between pump end and engine
- Due to weight and size of pumps, Banjo ships these by truck only.
- Engine warranty service available at authorized dealers
- See pages 43-49 on manifold fittings for easy plumbing.



M222 SERIES CAST IRON WET SEAL PUMPS W/GAS ENGINES

PART NO	DESCRIPTION	HP	QTY
M222PIH6W	2" MANIFOLD CAST IRON WET SEAL PUMP W/ 6.5 HP HONDA® ENGINE	6.5	1

M222 SERIES CAST IRON WET SEAL PUMPS W/ELECTRIC MOTORS

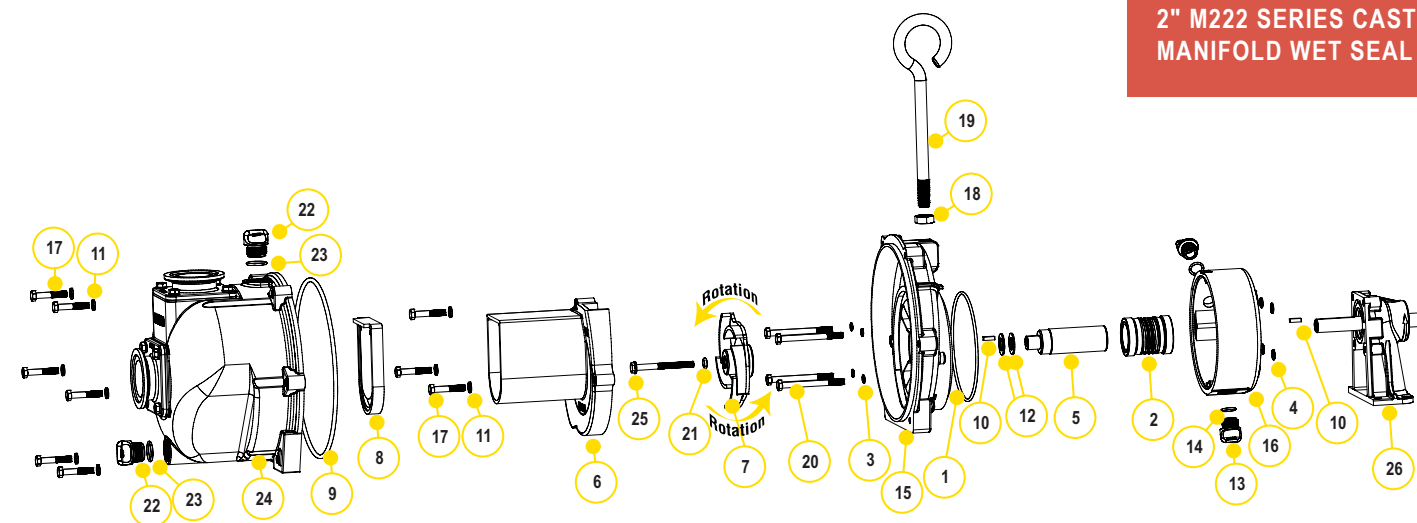
PART NO	DESCRIPTION	HP	QTY
M222PIE5W	2" MANIFOLD CAST IRON PUMP W/5 HP THREE PHASE ELECTRIC MOTOR	5	1
M222PIE51W	2" MANIFOLD CAST IRON PUMP W/5 HP SINGLE PHASE ELECTRIC MOTOR	5	1

M222 SERIES CAST IRON WET SEAL PUMP ONLY

PART NO	DESCRIPTION	HP	QTY
M222POIW	2" MANIFOLD CAST IRON WET SEAL PUMP ONLY	N/A	1

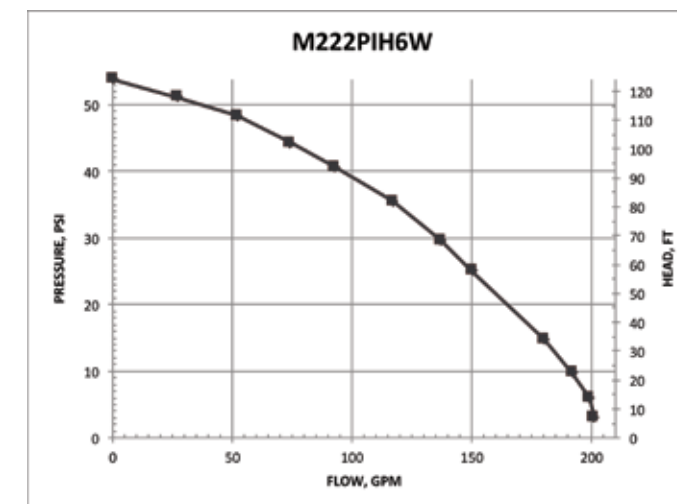


WARNING! DO NOT USE WITH FLAMMABLE LIQUIDS



REPLACEMENT PARTS M222 SERIES CAST IRON PUMPS

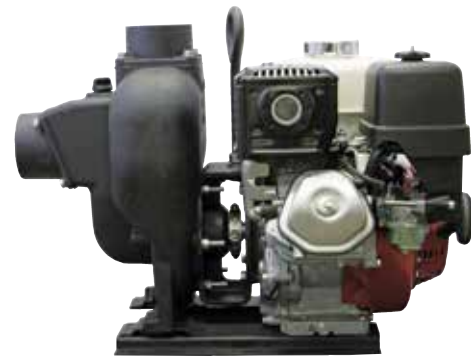
ITEM	PART NO	DESCRIPTION	QTY
1	13719	O-RING	1
2	15035E	EPDM MECHANICAL SEAL ASSEMBLY	1
3	12717	O-RING FOR BRACKET SCREW	1
4	12709	O-RING	4
5	15055	ADAPTER SHAFT	4
6	15702	VOLUTE	1
7	15772	5 VANE IMPELLER	1
8	12705	CHECK VALVE	1
9	12719A	BODY O-RING	1
10	12902A	IMPELLER KEY	2
11	V10118	5/16" LOCK WASHER	9
12	CV10175	GASKET	2
13	12777	1/2" PLUG	2
14	UV15163	O-RING	2
15	15703W	REAR BRACKET	1
16	15201W	WET SEAL RESERVOIR	1
17	12715A	5/16" - 24 X 1 1/4" HHCS	9
18	18034	5/8"-11 JAM NUT	1
19	18033	PUMP HANDLE	1
20	V10117	5/16" - 18 X 3 1/2" HFS	4
21	A204	O-RING	1
22	13777	3/4" PLUG	2
23	13778	O-RING	2
24	M15712	PUMP BODY	1
25	12766	5/16" - 24 X 3 1/4" HFS	1
26	12882A	BEARING PEDESTAL	1



3" CAST IRON PUMPS

FEATURES

- Cast iron construction for rugged dependable service
- Stainless steel shaft sleeve to protect engine shaft
- Carbon ceramic seal with stainless steel cup and spring with FKM rubber
- Replaceable inlet and outlet flanges
- Dynamically balanced impeller
- Pump only packs complete and ready for attachment to gasoline engine
- Bearing pedestal pump for long coupling to electric motor
- Recommendation for 1" shaft: 184TC frame size, 7½ HP, 3450 RPM for close coupling to electric motors
- Engine warranty service available at authorized dealers
- Due to weight and size of pumps, Banjo ships these by truck only.



3" CAST IRON PUMP W/GAS ENGINES

PART NO	DESCRIPTION	HP	QTY
300PIH-8	3" CAST IRON PUMP W/8 HP HONDA® ENGINE W/ELECTRIC START & PULL ROPE	8	1
300PIH13	3" CAST IRON PUMP W/13 HP HONDA® ENGINE W/ELECTRIC START & PULL ROPE	13	1



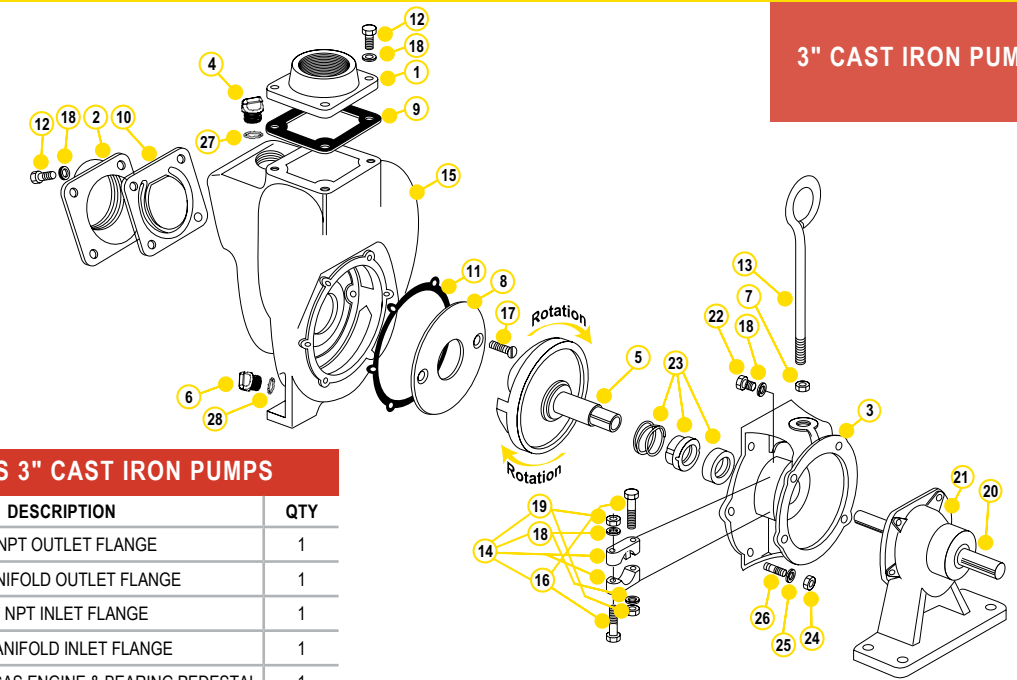
3" CAST IRON PUMP ONLY

PART NO	DESCRIPTION	HP	QTY
300POI	3" CAST IRON PUMP ONLY W/ 1" SHAFT SLEEVE	N/A	1



3" CAST IRON BEARING PEDESTAL

PART NO	DESCRIPTION	HP	QTY
300PBI	3" CAST IRON BEARING PEDESTAL W/ 1" STRAIGHT SHAFT	N/A	1



REPLACEMENT PARTS 3" CAST IRON PUMPS

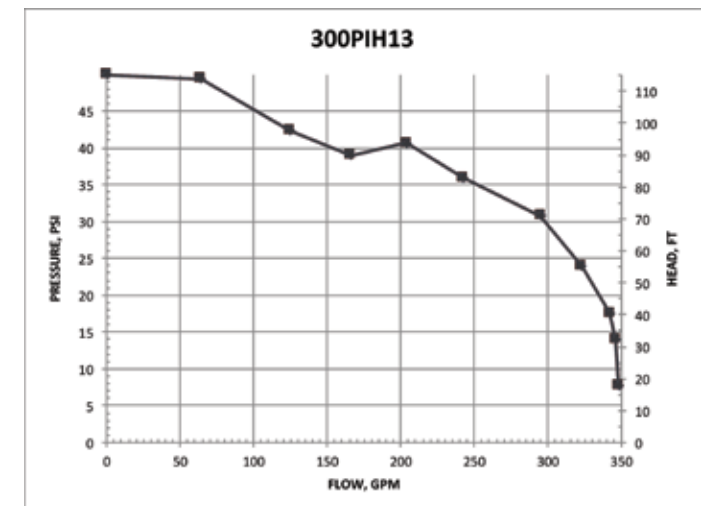
ITEM	PART NO	DESCRIPTION	QTY
1	18008	3" NPT OUTLET FLANGE	1
1	M18008	3" MANIFOLD OUTLET FLANGE	1
2	18012	3" NPT INLET FLANGE	1
2	M18012	3" MANIFOLD INLET FLANGE	1
3	18026	ADAPTER FOR GAS ENGINE & BEARING PEDESTAL	1
3	18048	C-FLANGE ADAPTER	1
3	18049	HYDRAULIC MOTOR ADAPTER	1
N/S	18055	HYDRAULIC ADAPTER SHAFT	1
4	13777	¾" PLUG	1
5*	18023	1" IMPELLER & DRIVE SHAFT FOR GAS ENGINE	1
5	18023-1.125	1½" IMPELLER & DRIVE SHAFT FOR ELECTRIC MOTOR	1
6	12777	½" PLUG	1
7	18034	⅝" SS JAM NUT	1
8	18004	WEAR PLATE	1
9	18009	EPDM OUTLET GASKET	1
10	18013	GASKET CHECK VALVE ASSEMBLY	1
11	18021	ADAPTER GASKET	1
12	18010SS	⅜" - 16 X 1½" SS CAP SCREW HXHD	8
13	18033	HANDLE	1
14	18029	CLAMP ASSEMBLY (OLD STYLE)	1
14	18129	CLAMP ASSEMBLY (NEW STYLE)	1
15	18001	PUMP HOUSING	1
16	18030	⅜" - 24 X 2¼" BOLT	2
17	18106	WEAR PLATE FLAT HEAD SCREW	2
18	V20018	⅜" LOCK WASHER	8
19	18032	⅜" X 24 SS HEX NUT	2
20	18504	1" SHAFT	1
21	18500	BEARING PEDESTAL	1
N/S	18502	BEARING SKF 66306-2RS1/C3	2
22	17704	BOLT	4
23*	18025	FKM SEAL ASSEMBLY	1
23	18025SD	SEVERE DUTY SEAL	1
24	V20019	⅜" 16 SS HEX NUT	6
25	V20018	⅜" SS LOCK WASHER	6
26	18218	⅜" - 16 X 24 X 2½" SS STUD	6
27	13778	O-RING	1
28	UV15163	O-RING	1
N/S	18035	Z-RAIL MOUNTING BRACKET (PAIR)	1
N/S	18100	REPAIR KIT (CONSIST OF ITEMS 5*, 8, 11, 17, 23*)	1



WARNING! DO NOT RUN PUMP DRY, RESTRICT OR REDUCE PORT SIZES OR DEAD HEAD PUMP



WARNING! DO NOT USE WITH FLAMMABLE LIQUIDS



3" CAST IRON WET SEAL PUMPS

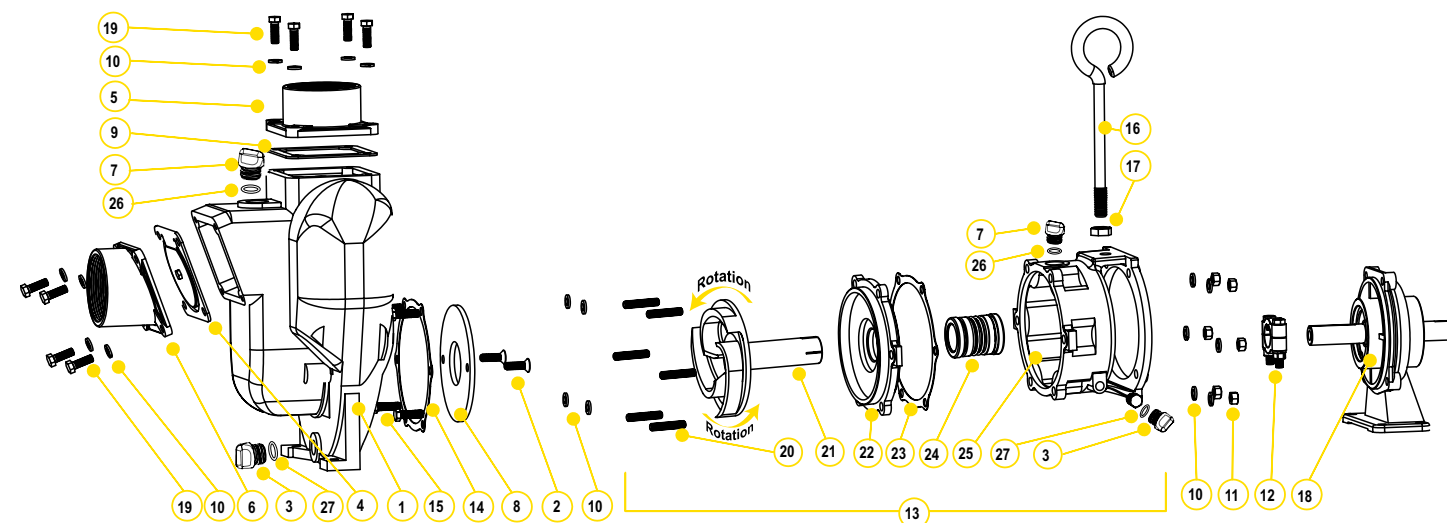
FEATURES

- Cast iron construction for rugged dependable service
- Run dry capability
- Stainless steel hardware
- Double seal contained in ethylene glycol reservoir
- Replaceable inlet and outlet flanges
- Dynamically balanced impeller
- Pump only packs complete and ready for attachment to gasoline engine
- Pedestal pump for long coupling to electric motor
- Due to weight and size of pumps, Banjo ships these by truck only.



3" CAST IRON WET SEAL PUMPS W/GAS ENGINES			
PART NO	DESCRIPTION	HP	QTY
301PIH13W	3" CAST IRON WET SEAL PUMP W/13 HP HONDA® ENGINE W/ ELECTRIC START & PULL ROPE	13	1

3" CAST IRON WET SEAL PUMPS



REPLACEMENT PARTS 3" CAST IRON PUMPS

ITEM	PART NO	DESCRIPTION	QTY
1	18001	PUMP HOUSING	1
2	18106	FLAT HEAD SOCKET CAP SCREW	2
3	12777	1/2" PLUG	2
4	18013	INLET/CHECK EPDM GASKET	1
5	18008	3" NPT OUTLET FLANGE	1
6	18012	3" NPT INLET FLANGE	1
7	13777	3/4" PLUG	2
8	18004	WEAR PLATE	1
9	18009	EPDM OUTLET GASKET	1
10	V20018	3/8" LOCK WASHER	18
11	V20019	3/8" 16 SS HEX NUT	6
12	18129	CLAMP ASSEMBLY KEYED	1
13	18200A	WET SEAL ASSEMBLY	1
14	18021	ADAPTER GASKET	1
15	17704	3/8" -16 X 1 1/8" HHCS	4
16	18033	HANDLE	1
17	18034	5/8" -11 JAM NUT	1
18	18500	BEARING PEDESTAL	1
19	18010SS	3/8" - 16 X 1 1/8" HHCS	8
20	18218	3/8" -16 X 24 X 2 1/8" SS STUD	6
21	18206	IMPELLER	1
22	18202A	COVER PLATE	1
23	18021	ADAPTER GASKET	1
24	15035E	EPDM MECHANICAL SEAL ASSEMBLY	1
25	18203A	WET SEAL RESERVOIR	1
26	13778	O-RING	2
27	UV15163	O-RING	2



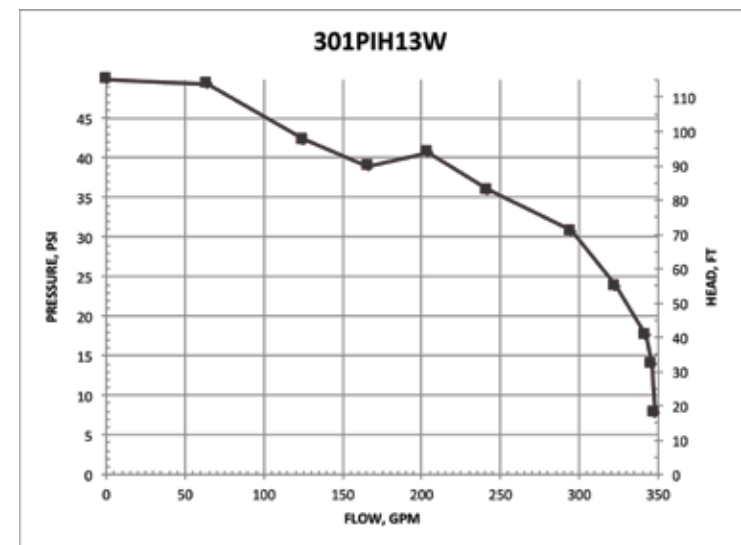
WARNING! DO NOT USE WITH FLAMMABLE LIQUIDS



3" CAST IRON WET SEAL PUMP ONLY			
PART NO	DESCRIPTION	HP	QTY
301POIW	3" CAST IRON WET SEAL PUMP ONLY	N/A	1



3" CAST IRON WET SEAL PUMP BEARING PEDESTAL			
PART NO	DESCRIPTION	HP	QTY
301PBIW	3" CAST IRON WET SEAL PUMP WITH BEARING PEDESTAL	N/A	1



CENTRIFUGAL PUMPS

CENTRIFUGAL PUMPS

3" CAST IRON PUMPS WITH HYDRAULIC MOTORS

3" CAST IRON PUMPS WITH HYDRAULIC MOTORS

FEATURES

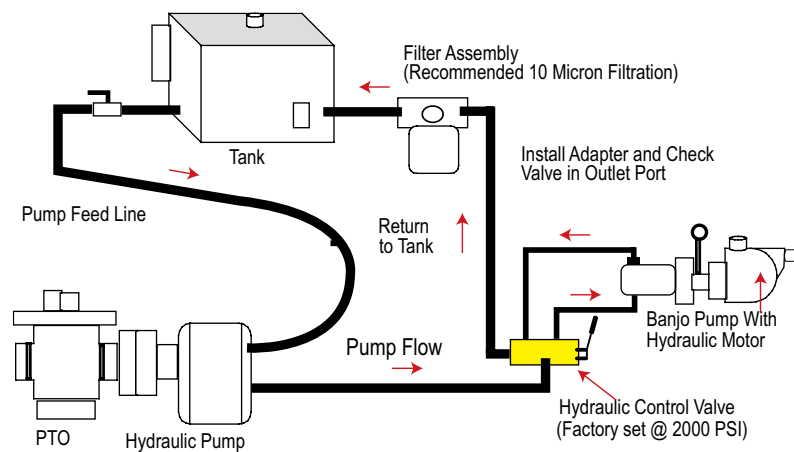
- Cast iron construction for rugged dependable service
- Stainless steel hardware
- Replaceable inlet and outlet flanges
- Dynamically balanced impeller
- Hydraulic fluid capacity is minimum 9 gallons and maximum 13 gallons
- Open or closed system
- 21 HP motor
- Recommendation to use the motor spool control valve or a suitable equivalent. The lack of such a valve in this circuit may cause failure to the hydraulic motor.



3" CAST IRON PUMPS W/ HYDRAULIC MOTORS

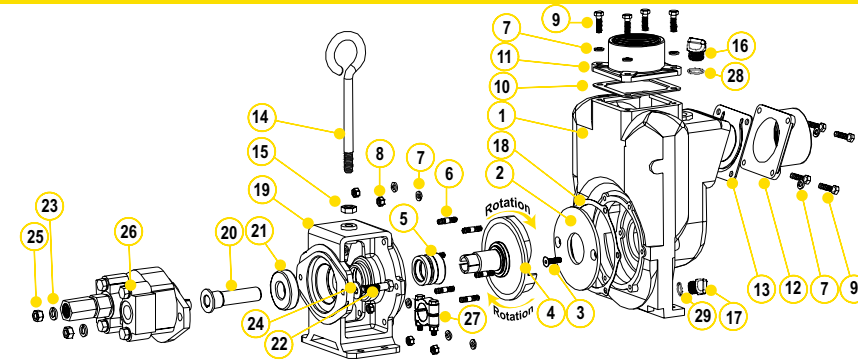
PART NO	DESCRIPTION	HP	QTY
300PIHY	3" CAST IRON PUMP W/ 21 HP HYDRAULIC MOTOR	21	1

SPOOL VALVE ASSEMBLY DIAGRAM



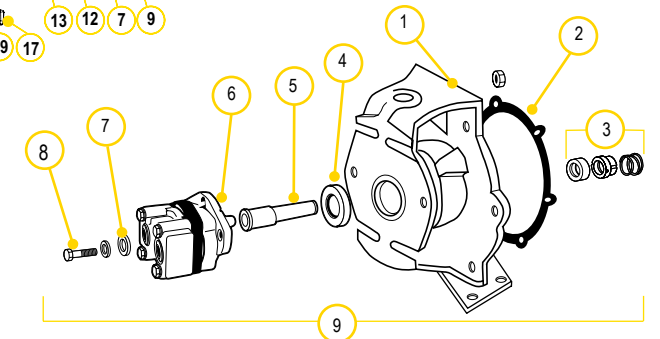
HYDRAULIC MOTOR SPOOL VALVE

PART NO	DESCRIPTION	HP	QTY
HSV1000	HYDRAULIC MOTOR SPOOL VALVE	N/A	1



REPLACEMENT PART 3" CAST IRON PUMPS

ITEM	PART NO	DESCRIPTION	QTY
1	18001	PUMP HOUSING	1
2	18004	WEAR PLATE	1
3	18106	3/8" - 16 X 1.25" HHCS	2
4	18023	IMPELLER & DRIVE SHAFT	1
5	18025	FKM MECHANICAL SEAL	1
5	18025SD	SEVERE DUTY SEAL	1
6	18218	3/8" -16 X 24 X 2 1/8" SS STUD	6
7	V20018	3/8" LOCK WASHER	14
8	V20019	3/8" 16 SS HEX NUT	6
9	18010SS	3/8" - 16 X 1.25" HHCS	8
10	18009	EPDM OUTLET GASKET	1
11	18008	3" NPT OUTLET FLANGE	1
12	18012	3" NPT INLET FLANGE	1
13	18013	INLET/CHECK EPDM GASKET	1
14	18033	HANDLE	1
15	18034	5/8" -11 HEX NUT	1
16	13777	3/4" PLUG	1
17	12777	1/2" PLUG	1
18	18021	ADAPTER GASKET	1
19	18049	HYDRAULIC MOTOR ADAPTER	1
20	18055	HYDRAULIC ADAPTER SHAFT	1
21	18502	BEARING SKF 66306-2RS1/C3	1
22	18056	1/2" -13 X 2" HHCS	2
23	18058	1/2" SPLIT WASHER	2
24	18059	1/2" FLAT WASHER	2
25	17010	1/2" - 13 HEX NUT	2
26	HY1012	UM16-45A-HX HYDRAULIC MOTOR ASSEMBLY	1
27	18029	CLAMP ASSEMBLY UNKEYED	1
28	13778	O-RING	1
29	UV15163	O-RING	1
KIT	18100	REPAIR KIT (CONSIST OF 2, 3, 4, 5, 18)	1



REPLACEMENT PARTS 3" HYDRAULIC ADAPTER

ITEM	PART NO	DESCRIPTION	QTY
1	18049	C-FACE HYDRAULIC MOTOR ADAPTER	1
2	18021	GASKET ADAPTER	1
3	18025	SEAL ASSEMBLY	1
4	18502	SKF 63306-2RS1/C3 BEARING	1
5	18055	HYDRAULIC ADAPTER SHAFT SLEEVE	1
6	HY1012	TYRONE® UM16 HYDRAULIC MOTOR	1
7	18059	1/2" FLAT WASHER	2
8	18058	1/2" SPLIT LOCK WASHER	2
9	18056	1/2" - 13" X 2" HHCS BOLT	2
10	17010	1/2" HEX NUT	2
11	18600	HYDRAULIC MOTOR ADAPTER ASSEMBLY	1
KIT	HY1001	REPAIR KIT	1

HYDRAULIC MOTOR DATA

U.S. GALLONS/REV.	0.0038
CUBIC INCHES/REV.	0.878
LITERS/REV.	0.0144
MAX HYDRAULIC PRESSURE	3000 PSI
MIN HYDRAULIC PRESSURE	600 PSI
INLET PORT	1-1/16-12UN-2B
OUTLET PORT	1-5/16-12UN-2B
MINIMUM GPM REQUIRED	9 GPM 2370 RPM
MAXIMUM GPM REQUIRED	13 GPM 3450 RPM
IDEAL GPM REQUIRED	9 GPM 3600 RPM

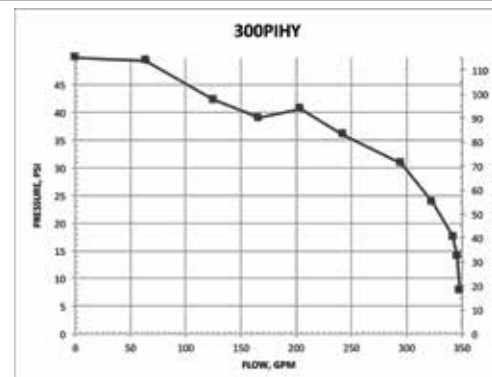
CONNECTION INFORMATION

INLET	"A" PORT
OUTLET	"B" PORT

SUPPLIED CHECK VALVE IS TO ENSURE PROPER ROTATION OF THE BANJO PUMP. PLACE CHECK VALVE IN OUTLET PORT (MARKED "B") FOR PROPER RIGHT HAND ROTATION. IT IS RECOMMENDED THAT A MINIMUM 3/4" INLET LINE & A MINIMUM 1" OUTLET LINE BE USED. THE OUTLET PORT MUST BE CONNECTED DIRECTLY BACK TO THE HYDRAULIC FLUID RESERVOIR & NOT TO ANY VALVING, REGULATORS OR FLOW DIVERTERS. THE OUTLET PORT/RETURN LINE BACK PRESSURE MUST NOT EXCEED 250 PSI.

SPOOL VALVE INFORMATION

REQUIRED OUTLET FLOW	MIN 9 GPM / MAX 13 GPM
REQUIRED SYSTEM PRESSURE	MIN 600 PSI / MAX 3000 PSI



WARNING! DO NOT RUN PUMP DRY, RESTRICT OR REDUCE PORT SIZES OR DEAD HEAD PUMP



WARNING! DO NOT USE WITH FLAMMABLE LIQUIDS

CENTRIFUGAL PUMPS

CENTRIFUGAL PUMPS

3" 333 SERIES CAST IRON PUMPS

POWERED by **HONDA**



FEATURES

- Cast iron construction for rugged dependable service
- Carbon ceramic seal with stainless steel cup and spring with FKM rubber
- Replaceable inlet and outlet flanges
- Dynamically balanced impeller
- Heavy duty slinger seal on motor shaft
- Large weep holes between pump end and engine
- Pedestal pump for long coupling to electric motor
- Due to weight and size of pumps, Banjo ships these by truck only.
- Engine warranty service available at authorized dealers



333 SERIES CAST IRON PUMPS W/GAS ENGINES

PART NO	DESCRIPTION	HP	QTY
333PIH13	3" CAST IRON PUMP W/13 HP HONDA® ENGINE W/ ELECTRIC START & PULL ROPE	13	1

333 SERIES CAST IRON PUMP ONLYS

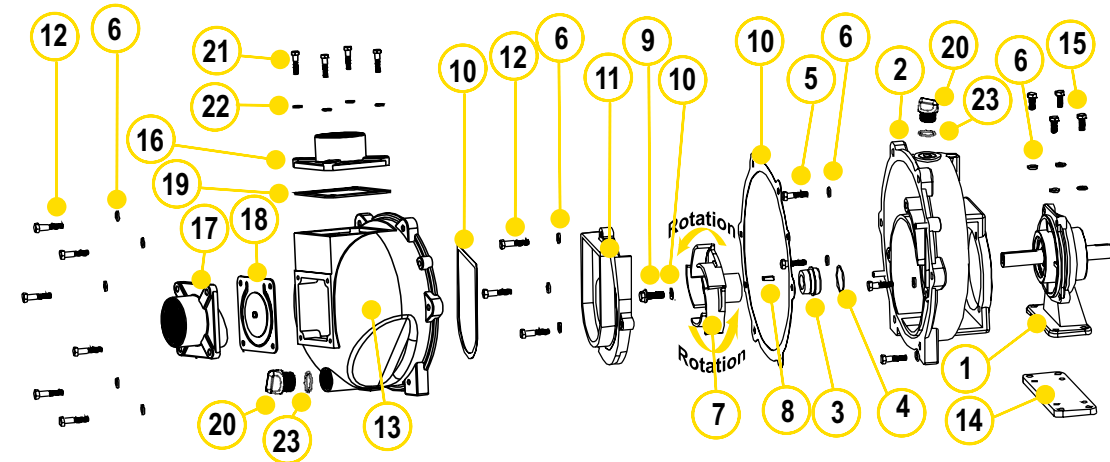
PART NO	DESCRIPTION	HP	QTY
333POI	3" CAST IRON PUMP ONLY W/1" SHAFT & 5 VANE IMPELLER UNASSEMBLED	N/A	1
333POICF	3" CAST IRON PUMP ONLY W/1 3/8" SHAFT & 5 VANE IMPELLER UNASSEMBLED FOR 215TC FRAME	N/A	1

333 SERIES CAST IRON BEARING PEDESTAL

PART NO	DESCRIPTION	HP	QTY
333PBI	3" CAST IRON BEARING PEDESTAL W/ 1" SHAFT	N/A	1

333 SERIES CAST IRON HYDRAULIC PUMPS

PART NO	DESCRIPTION	HP	QTY
333PIE15	3" CAST IRON PUMP W/15 HP THREE PHASE ELECTRIC MOTOR	15	1



REPLACEMENT PARTS 3" CAST IRON PUMPS

ITEM	PART NO	DESCRIPTION	QTY
N/S	16099	IMPELLER REMOVAL BOLT	1
1	18500	BEARING PEDESTAL (333PBI)	1
2	16704	REAR BRACKET	1
3	16713	MECHANICAL SEAL	1
4	16710	O-RING	1
5	17704	3/8" - 16 X 1.25" SS CAP SCREW (333PBI)	4
6	V20018	3/8" SS LOCK WASHER	17
7	16773	3" IMPELLER (333PBI)	1
7	16774	3" IMPELLER (333PIH13 & 333POI)	1
8	16901	1/4" SQ. 3/4" KEY STOCK	1
9	16765	IMPELLER BOLT (333PBI)	1
9	13765	IMPELLER BOLT (333PIH13)	1
10	16019	GASKET SET	1
11	16702	VOLUTE	1
12	V20011SS	3/8" - 16 X 1.75" SS BOLT	9
13	16733	BODY	1
14	18511	ADAPTER PLATE (333PBI)	1
15	18512	3/8" - 16 X 0.875" SS HHCS (333PBI)	4
N/S	16751	BRACKET SHIM SET	1
N/S	16752	IMPELLER SHIM	1
N/S	18033	HANDLE	1
N/S	18034	5/8" SS JAM NUT	1
16	16001	3" NPT OUTLET FLANGE	1
17	16003	3" NPT INLET FLANGE	1
18	16706	FKM INLET GASKET W/ CHECK	1
19	16011	FKM OUTLET GASKET	1
20	13777	3/4" PLUG	2
21	18027	3/8" - 16 X 1.50" HHCS (333PIH13)	8
22	V20018	3/8" SS LOCK WASHER	8
23	13778	O-RING	2

REPLACEMENT PARTS 333PIE15

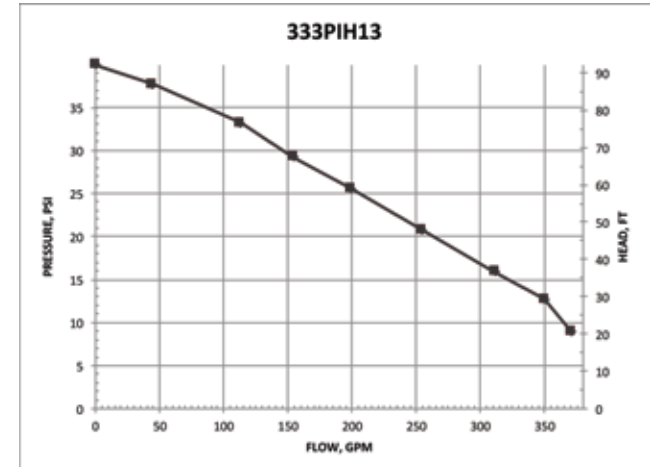
ITEM	PART NO	DESCRIPTION	QTY
N/S	16099	IMPELLER REMOVAL BOLT	1
2	16704A	REAR BRACKET W/C-FACE ADAPTER	1
3	15025	MECHANICAL SEAL	1
6	V20018	3/8" SS LOCK WASHER	8
7	16774A	3" IMPELLER - 5 VANE	1
8	17901	1/4" SQ. 3/4" KEY STOCK	1
9	16765	7/16-20 1 1/4" HFS	1
10	16019	GASKET SET	1
11	16702	VOLUTE	1
12	V20011SS	3/8" - 16 X 1.75" SS BOLT	9
13	16733	BODY	1
N/S	16751	BRACKET SHIM SET	1
N/S	16752	IMPELLER SHIM	1
N/S	18033	HANDLE	1
N/S	18034	5/8" SS JAM NUT	1
16	16001	OUTLET FLANGE	1
17	16003	INLET FLANGE	1
18	16706	FKM INLET GASKET W/ CHECK	1
19	16011	FKM OUTLET GASKET	1
20	13777	3/4" PLUG	2
21	18027	3/8" - 16 X 1.50" HHCS	8
22	V20018	3/8" SS LOCK WASHER	4
23	13778	O-RING	2



WARNING! DO NOT RUN PUMP DRY, RESTRICT OR REDUCE PORT SIZES OR DEAD HEAD PUMP



WARNING! DO NOT USE WITH FLAMMABLE LIQUIDS



3" M332 SERIES CAST IRON MANIFOLD WET SEAL PUMPS

FEATURES

- Run dry capability
- Cast iron construction for rugged dependable service
- Carbon ceramic seal with stainless steel cup and spring with EPDM rubber
- Replaceable inlet and outlet flanges
- Dynamically balanced impeller
- Heavy duty slinger seal on motor shaft
- Due to weight and size of pumps, Banjo ships these by truck only.
- Engine warranty service available at authorized dealers
- See pages 43-49 on manifold fittings for easy plumbing.



WARNING! DO NOT USE WITH FLAMMABLE LIQUIDS



M332 SERIES CAST IRON WET SEAL PUMPS W/GAS ENGINES

PART NO	DESCRIPTION	HP	QTY
M332PIH13W	3" MANIFOLD CAST IRON WET SEAL PUMP W/13 HP HONDA® ENGINE W/ELECTRIC START & PULL ROPE	13	1



M332 SERIES CAST IRON WET SEAL PUMPS W/ELECTRIC MOTORS

PART NO	DESCRIPTION	HP	QTY
M332PIE10W	3" MANIFOLD CAST IRON WET SEAL PUMP W/10HP THREE PHASE ELECTRIC MOTOR	10	1
M332PIE101W	3" MANIFOLD CAST IRON WET SEAL PUMP W/10HP SINGLE PHASE ELECTRIC MOTOR	10	1

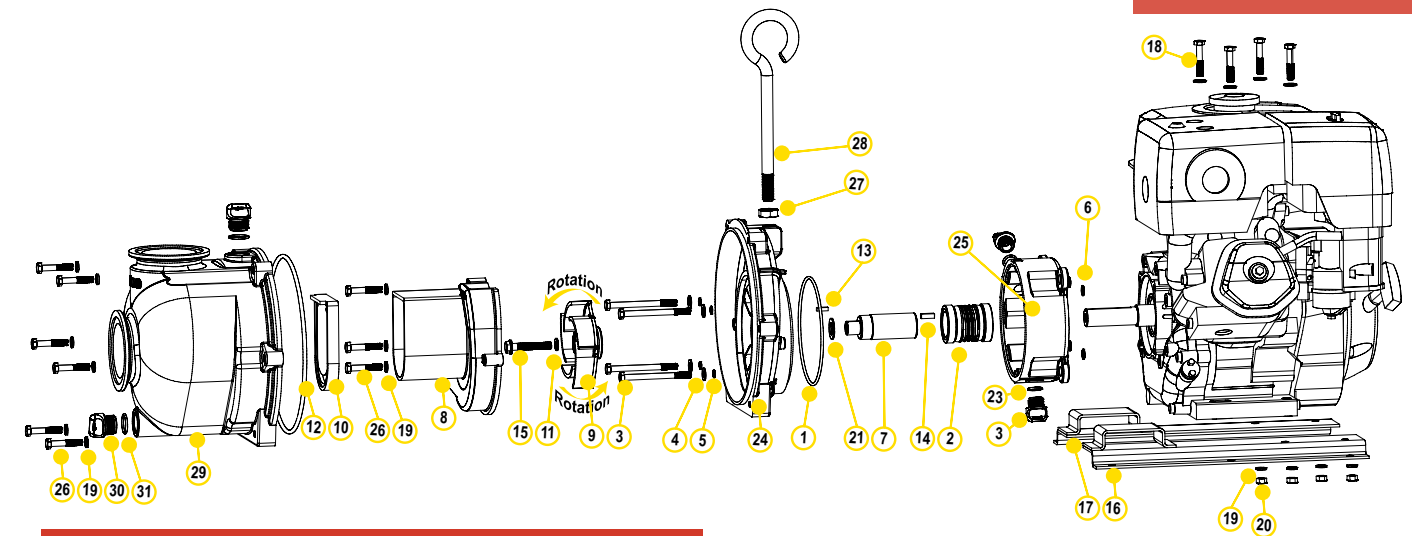
M332 SERIES CAST IRON WET SEAL BEARING PEDESTAL PUMPS

PART NO	DESCRIPTION	HP	QTY
M332PBIW	2" MANIFOLD CAST IRON WET SEAL PUMP W/ BEARING PEDESTAL W/ 3/4" SHAFT	N/A	1

M332 SERIES CAST IRON WET SEAL PUMP ONLY

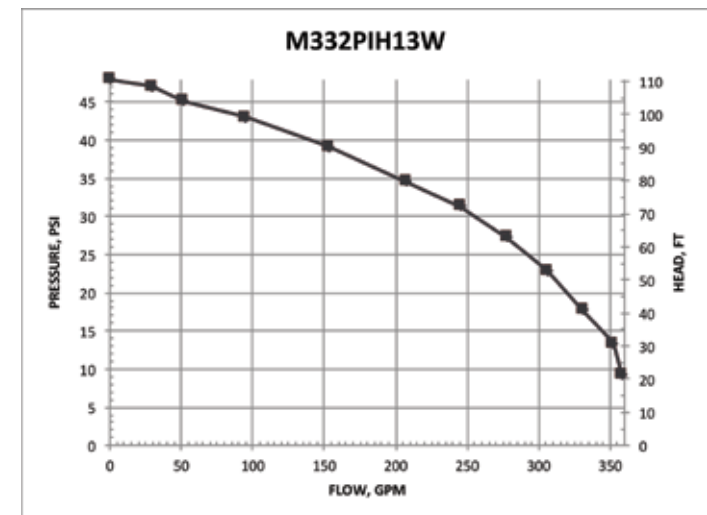
PART NO	DESCRIPTION	HP	QTY
M332POIW	3" MANIFOLD CAST IRON WET SEAL PUMP ONLY	N/A	1
M332POIEW	3" MANIFOLD CAST IRON WET SEAL PUMP ONLY FOR ELECTRIC MOTOR	N/A	1

2" M332 SERIES CAST IRON MANIFOLD WET SEAL PUMPS



REPLACEMENT PARTS M332 SERIES CAST IRON PUMPS

ITEM	PART NO	DESCRIPTION	QTY
1	13719	O-RING	1
2	15035E	EPDM MECHANICAL SEAL ASSEMBLY	1
3	13034	5/16" - 24 X 3 3/4" HHCS	1
4	12901	5/16" FLAT WASHER	4
5	12717	O-RING FOR BRACKET SCREW	8
6	12709	O-RING	4
7	13055	ADAPTER SHAFT	4
8	19702	VOLUTE	1
9	19772SS	5 VANE IMPELLER	1
9	15772	IMPELLER (M332PBIW)	1
10	12705	CHECK VALVE	1
11	A204	O-RING	1
12	12719A	BODY O-RING	1
13	12902A	IMPELLER KEY	1
14	16901	1/4" SQ X 3/4" KEY STOCK	1
15	13766	3/8" - 24 X 2 1/4" HFS	1
16	18135B	Z-RAIL	1
17	18135A	Z-RAIL	1
18	17029	5/16" - 18 X 1 1/4" HHCS	4
19	V10118	5/16" LOCK WASHER	13
20	V10119	5/16" HEX NUT	4
21	CV10175	GASKET	2
22	12777	1/2" PLUG	2
23	UV15163	O-RING	2
24	19703W	REAR BRACKET	1
25	19201W	WET SEAL RESERVOIR	1
26	12715A	5/16" - 24 X 1 3/4" HHCS	9
27	18034	5/8"-11 JAM NUT	1
28	18033	PUMP HANDLE	1
29	M19712X	PUMP BODY	1
30	13777	3/4" PLUG	2
31	13778	O-RING	2



CENTRIFUGAL PUMPS

3" M332 SERIES CAST IRON MANIFOLD WET SEAL PUMPS WITH HYDRAULIC MOTORS

FEATURES

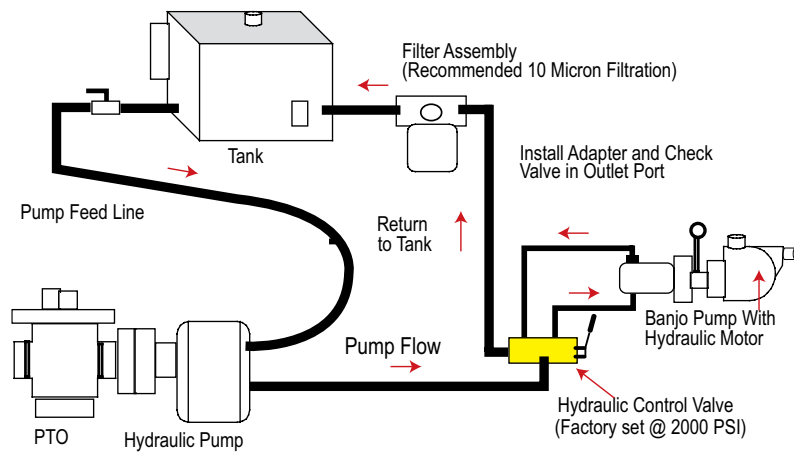
- Run dry capability
- Cast iron construction for rugged dependable service
- Carbon ceramic seal with stainless steel cup and spring with EPDM rubber
- Replaceable inlet and outlet flanges
- Dynamically balanced impeller
- Heavy duty slinger seal on motor shaft
- Hydraulic fluid capacity is minimum 9 gallons and maximum 13 gallons
- Open or closed system
- 3600 R.P.M.
- Recommendation to use the motor spool control valve or a suitable equivalent. The lack of such a valve in this circuit may cause failure to the hydraulic motor.
- See pages 43-49 on manifold fittings for easy plumbing.



M332 SERIES CAST IRON MANIFOLD WET SEAL PUMPS W/O HYDRAULIC MOTOR

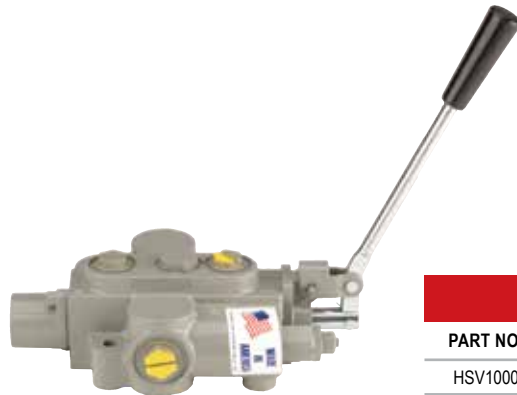
PART NO	DESCRIPTION	HP	QTY
M332PIHW	3" MANIFOLD CAST IRON WET SEAL PUMP W/ HYDRAULIC MOTOR	21	1

SPOOL VALVE ASSEMBLY DIAGRAM



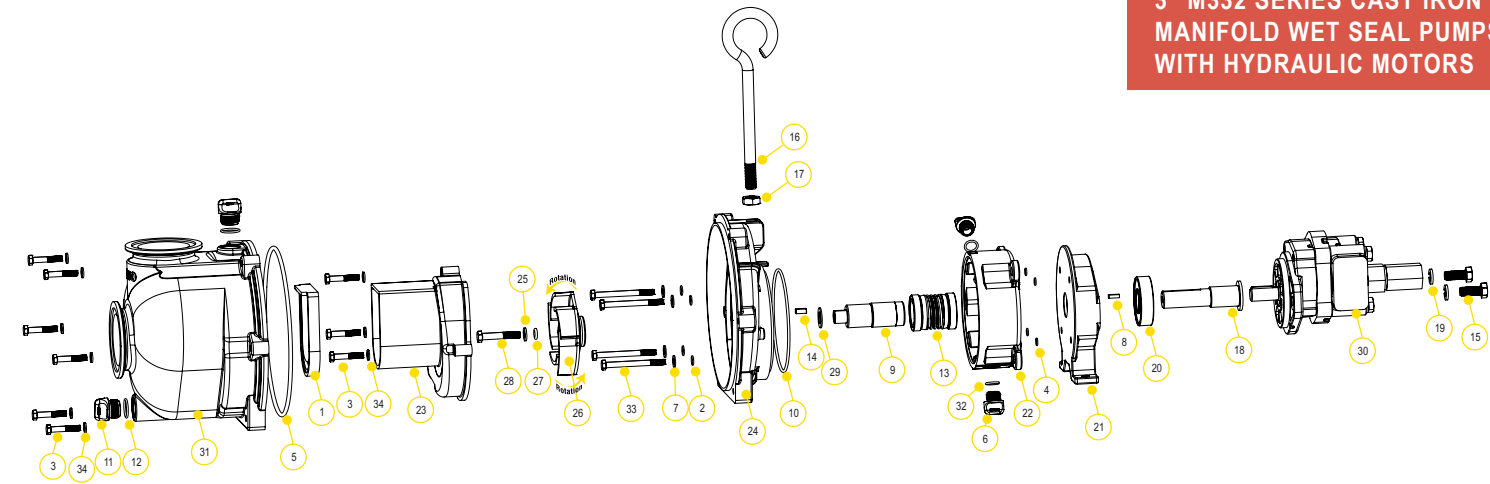
HYDRAULIC MOTOR SPOOL VALVE

PART NO	DESCRIPTION	HP	QTY
HSV1000	HYDRAULIC MOTOR SPOOL VALVE	N/A	1



CENTRIFUGAL PUMPS

3" M332 SERIES CAST IRON MANIFOLD WET SEAL PUMPS WITH HYDRAULIC MOTORS



REPLACEMENT PARTS M332 SERIES CAST IRON PUMPS

ITEM	PART NO	DESCRIPTION	QTY
1	12705	CHECK VALVE	1
2	12709	O-RING	4
3	12715A	SS BRACKET SCREWS-	9
4	12717	O-RING FOR SCREW HEAD	4
5	12719A	BODY O-RING	1
6	12777	1/2" PLUG	2
7	12901	SS REAR BRACKET WASHER	4
8	12902A	IMPELLER KEY	1
9	13055	ADAPTER SHAFT	1
10	13719	O-RING	1
11	13777	3/4" PLUG	2
12	13778	O-RING	2
13	15035E	EPDM MECHANICAL SEAL ASSEMBLY	1
14	16901	1/4" SQ. 3/4" KEY STOCK	1
15	17449	BOLT	2
16	18033	HANDLE	1
17	18034	5/8" SS JAM NUT	1
18	18055H	HYDRAULIC MOTOR ADAPTER SHAFT	1
19	18058	1/2" SPLIT LOCK WASHER	2
20	18502	SKF 63306-2RS1/C3 BEARING	1
21	19001H	RESERVOIR BACKING PLATE	1
22	19201W	WET SEAL RESERVOIR	1
23	19702	VOLUTE	1
24	19703W	REAR BRACKET	1
25	19766	3/8" FLAT WASHER	1
26	19772SS	5 VANE IMPELLER	1
27	A204	O-RING	1
28	BF207	3/8" - 16 X 2 1/4" HHCS	1
29	CV10175	GASKET	1
30	HY1012	TYRONE® UM16 HYDRAULIC MOTOR	1
31	M19712X	PUMP BODY	1
32	UV15163	PRIME/DRAIN PLUG O-RING	2
33	V10118	5/16" SS LOCK WASHER	4
34	V10117	5/16" X 3 1/2" SS BODY BOLT	9

HYDRAULIC MOTOR DATA

U.S. GALLONS/REV.	0.0038
CUBIC INCHES/REV.	0.878
LITERS/REV.	0.0144
MAX HYDRAULIC PRESSURE	3000 PSI
MIN HYDRAULIC PRESSURE	600 PSI
INLET PORT	1-1/16-12UN-2B
OUTLET PORT	1-5/16-12UN-2B
MINIMUM GPM REQUIRED	9 GPM 2370 RPM
MAXIMUM GPM REQUIRED	13 GPM 3450 RPM
IDEAL GPM REQUIRED	9 GPM 3600 RPM

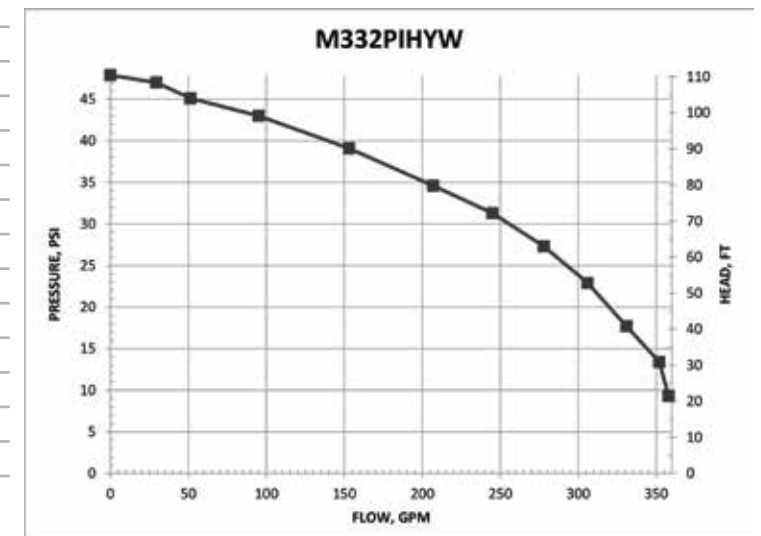
CONNECTION INFORMATION

INLET	"A" PORT
OUTLET	"B" PORT

SUPPLIED CHECK VALVE IS TO ENSURE PROPER ROTATION OF THE BANJO PUMP. PLACE CHECK VALVE IN OUTLET PORT (MARKED "B") FOR PROPER RIGHT HAND ROTATION. IT IS RECOMMENDED THAT A MINIMUM 3/4" INLET LINE & A MINIMUM 1" OUTLET LINE BE USED. THE OUTLET PORT MUST BE CONNECTED DIRECTLY BACK TO THE HYDRAULIC FLUID RESERVOIR & NOT TO ANY VALVING, REGULATORS OR FLOW DIVERTERS. THE OUTLET PORT/RETURN LINE BACK PRESSURE MUST NOT EXCEED 250 PSI.

SPOOL VALVE INFORMATION

REQUIRED OUTLET FLOW	MIN 9 GPM / MAX 13 GPM
REQUIRED SYSTEM PRESSURE	MIN 600 PSI / MAX 3000 PSI



WARNING! DO NOT USE WITH FLAMMABLE LIQUIDS

4" 444 SERIES CAST IRON PUMPS

4" 444 SERIES CAST IRON PUMPS

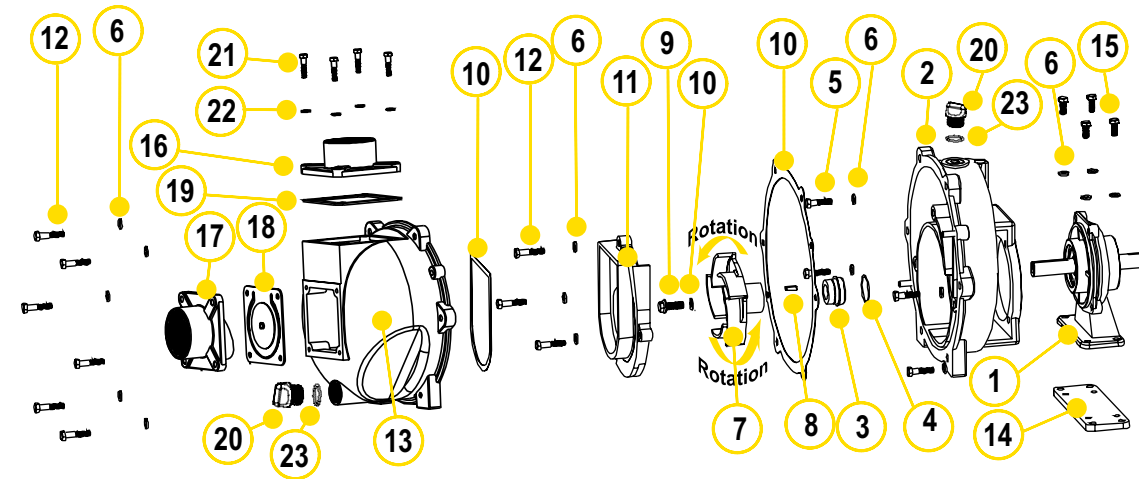
FEATURES

- Cast iron construction for rugged dependable service
- Carbon ceramic seal with stainless steel cup and spring with FKM rubber
- Replaceable inlet and outlet flanges
- Dynamically balanced impeller
- Heavy duty slinger seal on motor shaft
- Large weep holes between pump end and engine
- Recommendation for 444POI: use with 10 pound per gallon material or more
- Due to weight and size of pumps, Banjo ships these by truck only.
- Engine warranty service available at authorized dealers



444 SERIES CAST IRON PUMPS W/GAS ENGINES

PART NO	DESCRIPTION	HP	QTY
444PIH24	4" CAST IRON PUMP W/24 HP HONDA® ENGINE	24	1



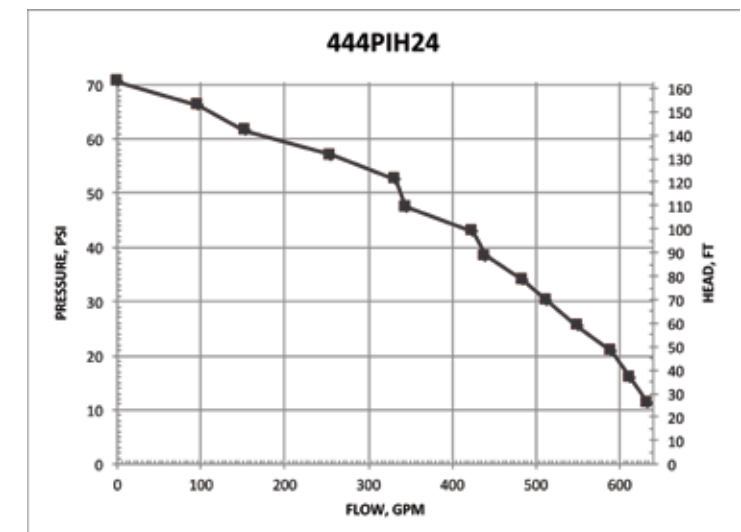
REPLACEMENT PARTS 4" CAST IRON PUMPS

ITEM	PART NO	DESCRIPTION	QTY
2	16707	REAR BRACKET	1
3	18435	MECHANICAL SEAL	1
4	V10264	O-RING	1
5	17704	3/8" - 16 X 1.25" SS CAP SCREW	4
6	V20018	3/8" SS LOCK WASHER	13
7	16775	4" IMPELLER	1
8	16901	1/4" SQ. 3/4" KEY STOCK	1
9	16765	IMPELLER BOLT	1
10	16019	GASKET SET	1
11	16702	VOLUTE	1
12	V20011SS	3/8" - 16 X 1.75" SS BOLT	9
13	16712	BODY	1
16	16000	4" NPT OUTLET FLANG4E	1
17	16002	4" NPT INLET FLANGE	1
18	16706	INLET GASKET W/ CHECK	1
19	16011	OUTLET GASKET	1
20	13777	3/4" PLUG	2
21	18027	3/8" - 16 X 1.50" HHCS	8
22	V20018	3/8" SS LOCK WASHER	8
23	13778	O-RING	2
N/S	16099	IMPELLER REMOVAL BOLT	1
N/S	16751	BRACKET SHIM SET	1
N/S	16752	IMPELLER SHIM	1
N/S	18033	HANDLE	1
N/S	18034	3/8" SS JAM NUT	1



444 SERIES CAST IRON PUMP ONLYS

PART NO	DESCRIPTION	HP	QTY
444POI	4" CAST IRON PUMP ONLY W/ 1 1/4" X 3 1/2" SHAFT & 6 VANE IMPELLER UNASSEMBLED	N/A	1



WARNING! DO NOT RUN PUMP DRY, RESTRICT OR REDUCE PORT SIZES OR DEAD HEAD PUMP



WARNING! DO NOT USE WITH FLAMMABLE LIQUIDS

2" STAINLESS STEEL PUMPS

2" STAINLESS STEEL PUMPS

FEATURES

- 316 stainless steel housing and wettable internal components including impeller, sleeve, wear plate and fasteners
- Carbon ceramic seal with 316 stainless steel cup and spring with FKM elastomer
- Replaceable inlet and outlet flanges
- Dynamically balanced impeller
- Pump only packs complete and ready for attachment to gasoline engine
- Pedestal pump for long coupling to electric motor
- Recommendation for 5/8" shaft: 56C frame size, 3 HP, 3450 RPM & 5" max impeller for close coupling to electric motors
- Recommendation for 7/8" shaft: 145TC frame size, 3 HP, 3450 RPM & 5" max impeller for close coupling to electric motors
- Engine warranty service available at authorized dealers
- Due to weight and size of pumps, Banjo ships these by truck only.

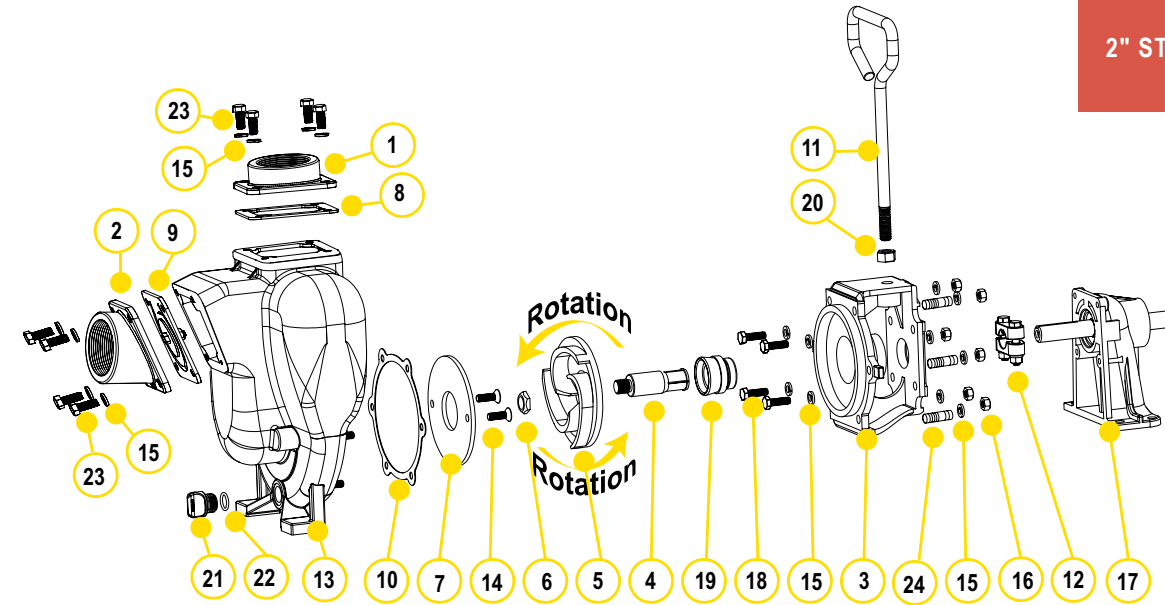


2" STAINLESS STEEL PUMPS W/GAS ENGINES			
PART NO	DESCRIPTION	HP	QTY
200PH5-SS	2" SS PUMP W/5.5 HP HONDA® ENGINE W/ PULL ROPE ONLY	5.5	1

2" STAINLESS STEEL PUMP ONLY			
PART NO	DESCRIPTION	HP	QTY
200PO-SS	2" SS PUMP ONLY W/ 3/4" SHAFT SLEEVE	N/A	1

2" STAINLESS STEEL C-FACE PUMPS			
PART NO	DESCRIPTION	HP	QTY
200POSSCF5/8	2" SS C-FACE PUMP W/ 5/8" SHAFT SLEEVE	N/A	1
200POSSCF7/8	2" SS C-FACE PUMP W/ 7/8" SHAFT SLEEVE	N/A	1

2" STAINLESS STEEL BEARING PEDESTAL			
PART NO	DESCRIPTION	HP	QTY
200PB-SS	2" SS BEARING PEDESTAL W/ 3/4" STRAIGHT SHAFT*	N/A	1

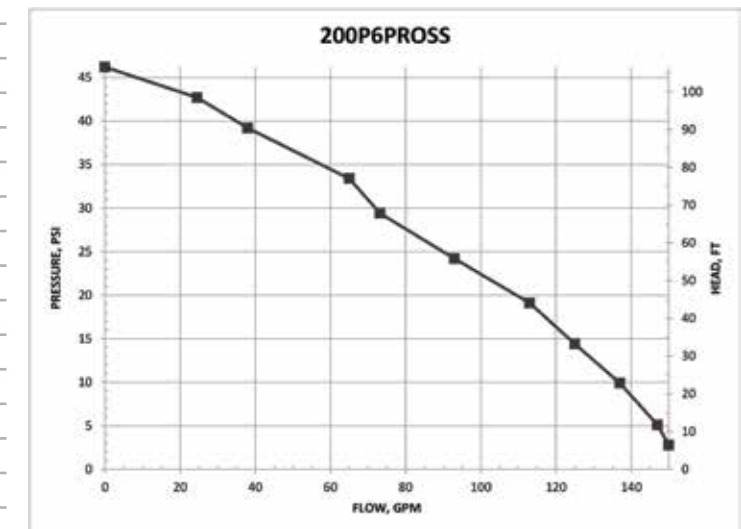


REPLACEMENT PARTS 2" STAINLESS STEEL PUMPS

ITEM	PART NO	DESCRIPTION	QTY
1	17000SS	2" NPT SS OUTLET FLANGE	1
2	17002SS	2" NPT SS INLET FLANGE	1
3	17004SS	SS ADAPTER FOR GAS ENGINE	1
3	17046SS	CF ADAPTER FOR ELECTRIC MOTOR	1
4	17005	5/8" SS SLEEVE DRIVE	1
4	17006	3/4" SS SLEEVE DRIVE	1
4	17007	7/8" SS SLEEVE DRIVE	1
5	17008SS	SS IMPELLER	1
5	17008-4.1SS	4.1" SS IMPELLER	1
5	17008-4.6SS	4.6" SS IMPELLER	1
6	17009B	5/8" IMPELLER NUT	1
7	17011SS	SS WEAR PLATE	1
8	17014	FKM OUTLET GASKET	1
9	17017	FKM CHECK VALVE ASSEMBLY GASKET	1
10	17018	ADAPTER GASKET	1
11	15022	HANDLE	1
12	17023	5/8" CLAMP, 3/4" SS SHAFT (OLD STYLE)	1
12	17123	5/8" CLAMP, 3/4" SS SHAFT (KEYED CLAMP)	1
12	17024	7/8" CLAMP, 3/4" SS SHAFT	1
13	17026SS	SS PUMP HOUSING	1
14	17130SS	5/16-18 X 1.00" FHSCS, 316 SS	2
15	V10118	5/16" LOCK WASHER	18
16	V10119	5/16" -18 SS HEX NUT	6
17	12882A	BEARING PEDESTAL ASSEMBLY W/ 3/4" SHAFT	1
18	17040	BOLT	4
19	17035SS	FKM SS SEAL ASSEMBLY	1
20	17010	1/2" - 24 X 1" HHCS	1
21	12777SS	1/2" STAINLESS STEEL PLUG	1
22	UV15163V	O-RING FKM	1
23	17019	5/16" - 18 X 3/4" CAP SCREW	8
24	17042	STUD	6
KIT	17100SS	PUMP REPAIR KIT(CONSISTS OF 4,5,7,10,14,19)	1

KITS 2" STAINLESS STEEL PUMPS

PART NO	FKM REPAIR KIT NO	FKM SEAL KIT NO
200PH5-SS	17100SS	17035SS
200PB-SS	17100SS	17035SS
200PO-SS	17100SS	17035SS



WARNING! DO NOT RUN PUMP DRY, RESTRICT OR REDUCE PORT SIZES OR DEAD HEAD PUMP



WARNING! DO NOT USE WITH FLAMMABLE LIQUIDS

CENTRIFUGAL PUMPS

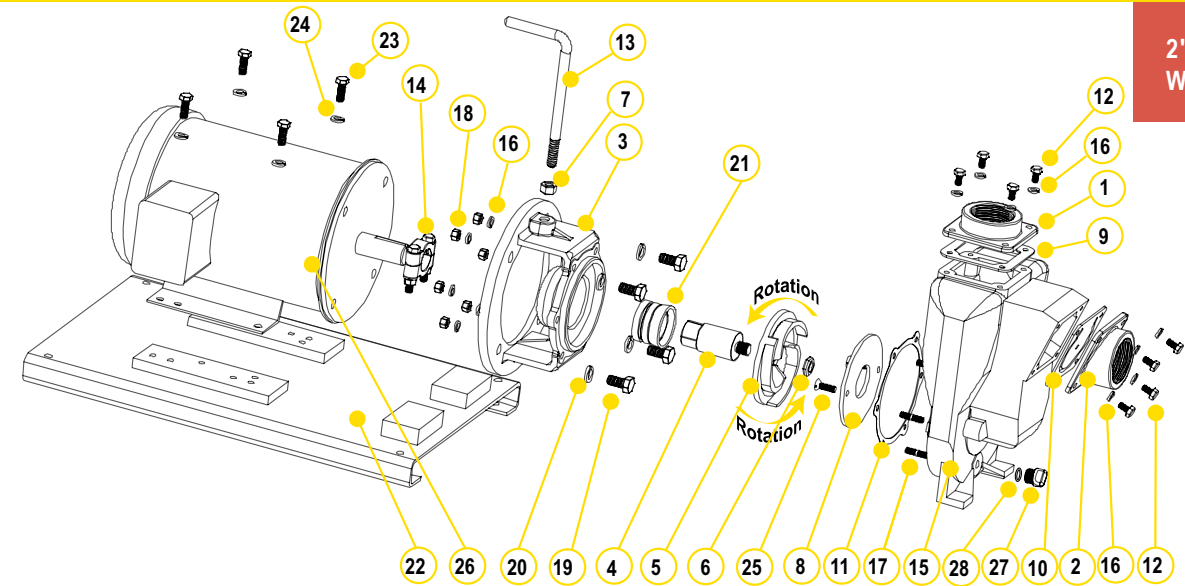
CENTRIFUGAL PUMPS

2" STAINLESS STEEL PUMPS WITH ELECTRIC MOTORS

2" STAINLESS STEEL PUMPS WITH ELECTRIC MOTORS

FEATURES

- Stainless steel construction for rugged dependable service
- Stainless steel shaft sleeve to protect engine shaft
- Replaceable inlet and outlet flanges
- Dynamically balanced impeller
- Due to weight and size of pumps, Banjo ships these by truck only.
- Motor warranty service available at authorized dealers
- Motor features include pressure cast aluminum end plates with ribbed design for rigidity, heavy gauge steel frame, 230 volt, with inverter spike resistance magnet wire



2" STAINLESS STEEL PUMPS W/ELECTRIC MOTORS

PART NO	DESCRIPTION	HP	QTY
234PE5SS	2" STAINLESS STEEL PUMP W/5 HP THREE PHASE ELECTRIC MOTOR	5	1
234PE51SS	2" STAINLESS STEEL PUMP W/5 HP SINGLE PHASE ELECTRIC MOTOR	5	1

REPLACEMENT PARTS 2" STAINLESS STEEL PUMPS

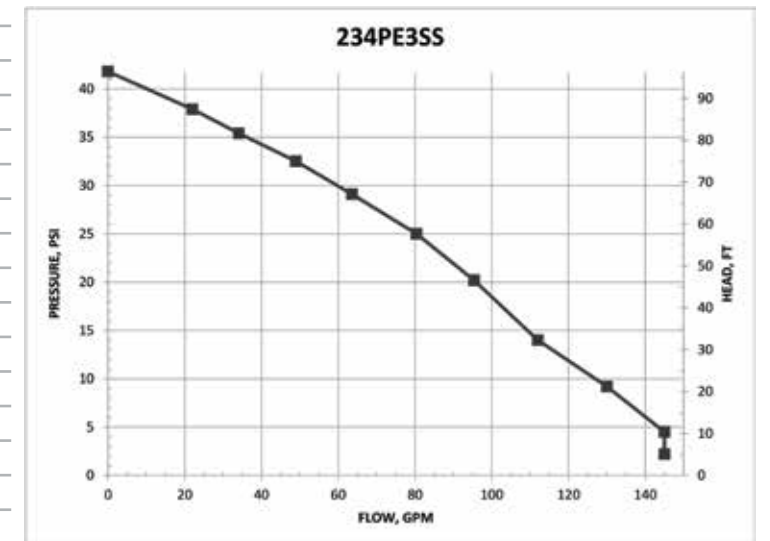
ITEM	PART NO	DESCRIPTION	QTY
1	17000SS	2" NPT OUTLET FLANGE	1
2	17002SS	2" NPT INLET FLANGE	1
3	17046SS	C-FACE ADAPTER (234PE3SS)	1
3	17446SS	C-FACE ADAPTER (234PE5SS & 234PE51SS)	1
4	17007	IMPELLER SHAFT (234PE3SS)	1
4	17406	IMPELLER SHAFT (234PE5SS & 234PE51SS)	1
5	17008SS	IMPELLER	1
6	17009B	5/8" IMPELLER NUT	1
7	17010	1/2" HEX NUT	1
8	17011SS	WEAR PLATE	1
9	17014	FKM OUTLET GASKET	1
10	17017	FKM GASKET & CHECK VALVE	1
11	17018	ADAPTER GASKET	1
12	17019	BOLT	8
13	15022	HANDLE	1
14	17024	CLAMP ASSEMBLY W/KEY (234PE3SS)	1
15	17026SS	PUMP HOUSING	1
15	17026SS	PUMP HOUSING (234PE5SS & 234PE51SS)	1
16	V10118	5/16" LOCK WASHER	20
17	17042	HOUSING STUD	6
18	V10119	HEX NUT	8
19	17449	BOLT	4
20	18058	WASHER	4
21	17035SS	SEAL ASSEMBLY (234PE3SS)	1
21	18025SS	SEAL ASSEMBLY (234PE5SS & 234PE51SS)	1
22	17701	BASE PLATE ASSEMBLY	1
23	17704	BOLT	4
24	V20018	3/8" LOCK WASHER	4
25	17130SS	5/16-18 X 1.00" FHSCS, 316 SS	2
26	BEM5	ELECTRIC MOTOR	1
27	12777SS	1/2" STAINLESS STEEL PLUG	1
28	UV15163V	FKM O-RING	1



WARNING! DO NOT RUN PUMP DRY, RESTRICT OR REDUCE PORT SIZES OR DEAD HEAD PUMP



WARNING! DO NOT USE WITH FLAMMABLE LIQUIDS



CENTRIFUGAL PUMPS

CENTRIFUGAL PUMPS

2" STAINLESS STEEL PUMPS WITH HYDRAULIC MOTORS

FEATURES

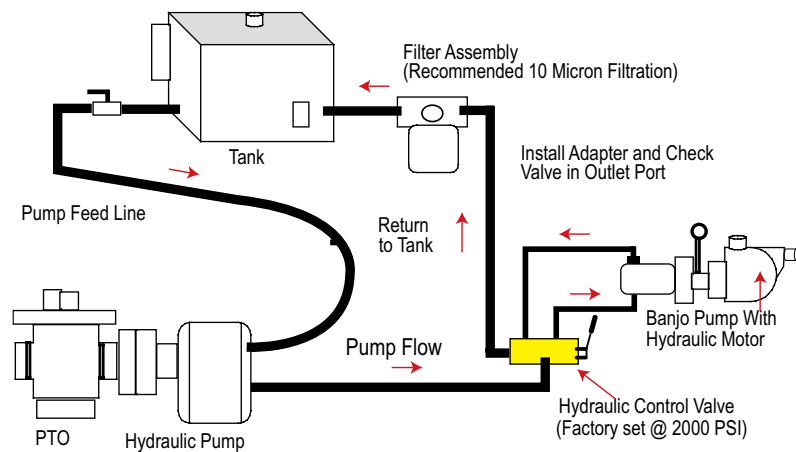
- Cast iron construction for rugged dependable service
- Stainless steel hardware
- Replaceable inlet and outlet flanges
- Dynamically balanced impeller
- Hydraulic fluid capacity is minimum 6 gallons and maximum 10 gallons
- Open or closed system
- 12 HP motor
- Recommendation to use the motor spool control valve or a suitable equivalent. The lack of such a valve in this circuit may cause failure to the hydraulic motor.



2" STAINLESS STEEL PUMPS W/ HYDRAULIC MOTORS

PART NO	DESCRIPTION	HP	QTY
200PHYSS	2" STAINLESS STEEL PUMP W/ 12 HP HYDRAULIC MOTOR	12	1

SPOOL VALVE ASSEMBLY DIAGRAM

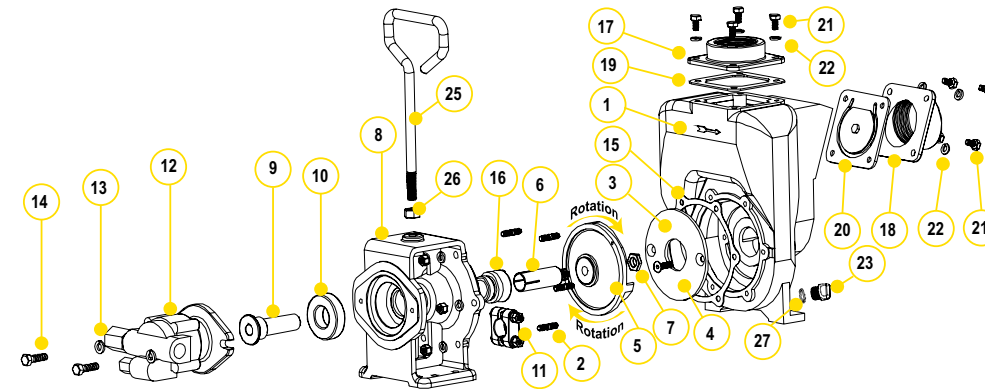


HYDRAULIC MOTOR SPOOL VALVE

PART NO	DESCRIPTION	HP	QTY
HSV1000	HYDRAULIC MOTOR SPOOL VALVE	N/A	1



2" STAINLESS STEEL PUMPS WITH HYDRAULIC MOTORS

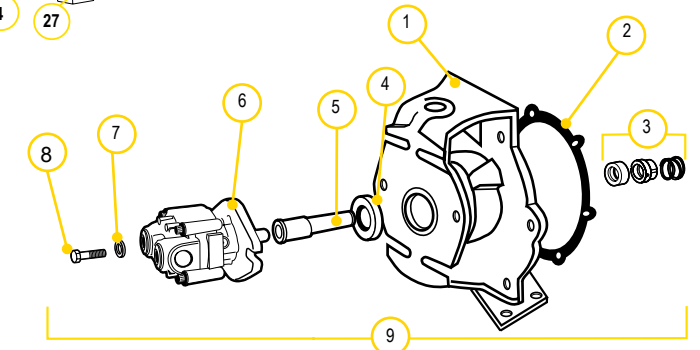


REPLACEMENT PARTS 2" STAINLESS STEEL PUMPS

ITEM	PART NO	DESCRIPTION	QTY
1	17026SS	PUMP HOUSING	1
2	17042	PUMP HOUSING STUD	6
3	17011SS	WEAR PLATE	1
4	17130SS	5/16-18 X 1.00" FHSCS, 316 SS	2
5	17008SS	5" IMPELLER	1
6	17007	7/8" SLEEVE DRIVE FOR ELECTRIC MOTOR	1
7	17009B	5/8" IMPELLER NUT	1
8	17049ASS	HYDRAULIC ADAPTER	1
9	17055A	HYDRAULIC ADAPTER SHAFT	1
10	17056	SKF 6206-2RS1 BEARING	1
11	17024	7/8" CLAMP, NO KEY	1
12	HY1013	MGG20025BC1D3 HYDRAULIC MOTOR ASSEMBLY	1
13	V20018	3/8" LOCK WASHER	2
14	18010SS	3/8" - 16 X 1.25" HHHCS	2
15	17018	GASKET ADAPTER	1
16	17035SS	FKM SEAL ASSEMBLY	1
17	17000SS	2" NPT OUTLET FLANGE	1
18	17002SS	2" NPT INLET FLANGE	1
19	17014	FKM GASKET	1
20	17017	GASKET CHECK VALVE ASSEMBLY	1
21	17019	5/16" -18 X 0.75" CAP SCREW	8
22	V10118	5/16" SPLIT LOCK WASHER	14
23	12777SS	1/2" STAINLESS STEEL PLUG	1
24	V10119	5/16"-18 HEX NUT	6
25	15022	HANDLE	1
26	17010	1/2" HEX NUT -13UNF-RH	1
27	UV15163V	O-RING FKM	1

REPLACEMENT PARTS 2" HYDRAULIC ADAPTER

ITEM	PART NO	DESCRIPTION	QTY
1	17049ASS	SS HYDRAULIC MOTOR ADAPTER	1
2	17018	GASKET ADAPTER	1
3	17035SS	SEAL ASSEMBLY	1
N/S	17007	7/8" SS SHAFT SLEEVE	1
4	17056	SKF 6206-2RS1 BEARING	1
5	17055A	HYDRAULIC ADAPTER SHAFT	1
6	HY1013	GRESEN® HYDRAULIC MOTOR	1
7	V20018	LOCK WASHER	2
8	18010SS	BOLT	2



HYDRAULIC MOTOR DATA

U.S. GALLONS/REV.	0.0025
CUBIC INCHES/REV.	0.580
LITERS/REV.	0.0097
MAX HYDRAULIC PRESSURE	2000 PSI
MIN HYDRAULIC PRESSURE	200 PSI
INLET PORT	SAE 10 (7/8-14 UNF-2B)
OUTLET PORT	SAE 10 (7/8-14 UNF-2B)
MINIMUM GPM REQUIRED	6 GPM 2400 RPM
MAXIMUM GPM REQUIRED	10 GPM 4000 RPM
IDEAL GPM REQUIRED	9 GPM 3600 RPM

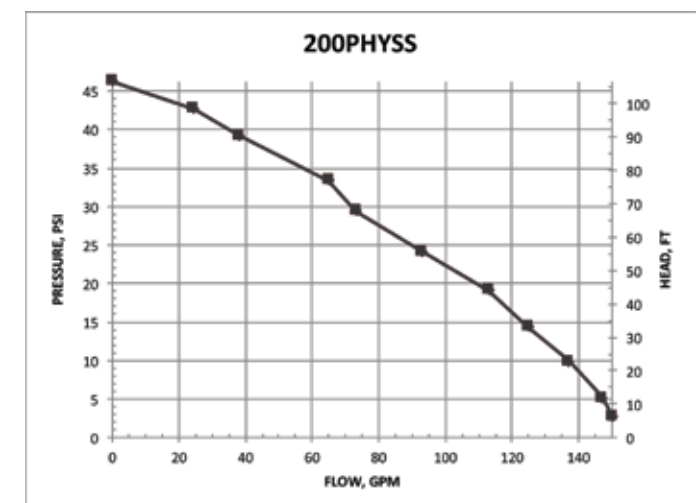
CONNECTION INFORMATION

INLET	"A" PORT
OUTLET	"B" PORT

SUPPLIED CHECK VALVE IS TO ENSURE PROPER ROTATION OF THE BANJO PUMP. PLACE CHECK VALVE IN OUTLET PORT (MARKED "B") FOR PROPER RIGHT HAND ROTATION.

SPOOL VALVE INFORMATION

REQUIRED OUTLET FLOW	MIN 6 GPM / MAX 10 GPM
REQUIRED SYSTEM PRESSURE	MIN 500 PSI / MAX 2000 PSI



WARNING! DO NOT RUN PUMP DRY, RESTRICT OR REDUCE PORT SIZES OR DEAD HEAD PUMP



WARNING! DO NOT USE WITH FLAMMABLE LIQUIDS

3" STAINLESS STEEL PUMPS

FEATURES

- 316 stainless steel housing and wettable internal components including impeller, sleeve, wear plate and fasteners
- Carbon ceramic seal with 316 stainless steel cup and spring with FKM elastomer
- Replaceable inlet and outlet flanges
- Dynamically balanced impeller
- Pump only packs complete and ready for attachment to gasoline engine
- Pedestal pump for long coupling to electric motor
- Recommendation for 5/8" shaft: 56C frame size, 3 HP, 3450 RPM & 5" max impeller for close coupling to electric motors
- Recommendation for 7/8" shaft: 145TC frame size, 3 HP, 3450 RPM & 5" max impeller for close coupling to electric motors
- Engine warranty service available at authorized dealers
- Due to weight and size of pumps, Banjo ships these by truck only.



3" STAINLESS STEEL PUMPS W/GAS ENGINES

PART NO	DESCRIPTION	HP	QTY
300PH13SS	3" SS PUMP W/13 HP HONDA® ENGINE W/ELECTRIC START & PULL ROPE	13	1

3" STAINLESS STEEL PUMP ONLY

PART NO	DESCRIPTION	HP	QTY
300PO-SS	3" SS PUMP ONLY W/ 1" SHAFT SLEEVE	N/A	1

3" STAINLESS STEEL C-FLANGE PUMPS

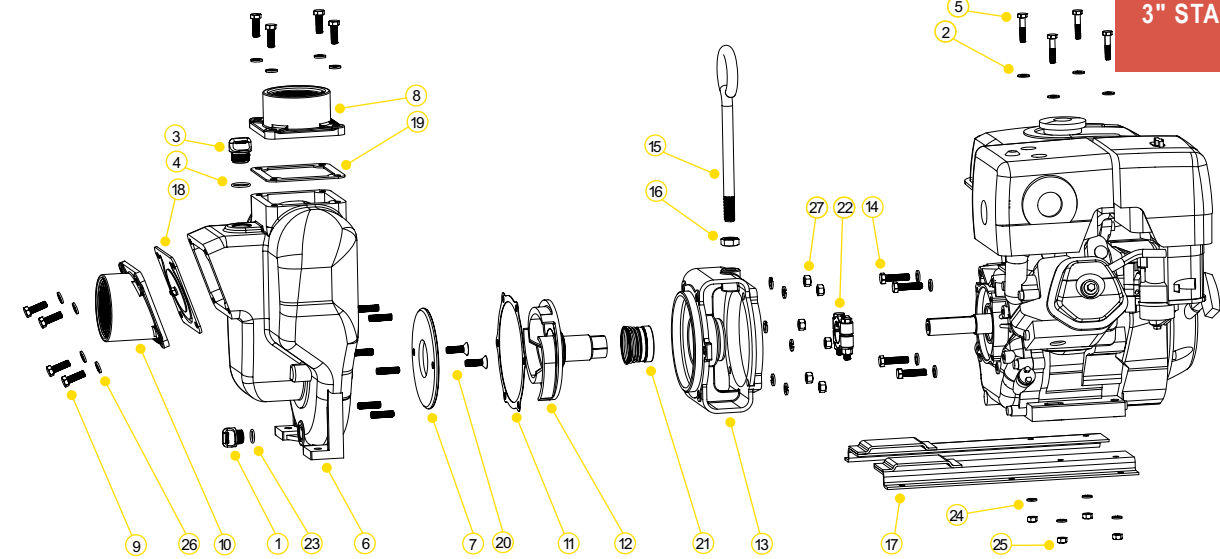
PART NO	DESCRIPTION	HP	QTY
300PO-SSCF	3" SS C-FLANGE PUMP W/ 1 1/8" SHAFT SLEEVE	N/A	1

3" STAINLESS STEEL BEARING PEDESTAL

PART NO	DESCRIPTION	HP	QTY
300PB-SS	3" SS BEARING PEDESTAL W/ 1" STRAIGHT SHAFT	N/A	1

3" STAINLESS STEEL PUMPS W/ HYDRAULIC MOTOR

PART NO	DESCRIPTION	HP	QTY
300PHYSS	3" STAINLESS STEEL PUMP W/ 12 HP HYDRAULIC MOTOR	12	1



REPLACEMENT PARTS 3" STAINLESS STEEL PUMPS

ITEM	PART NO	DESCRIPTION	QTY
1	12777SS	1/2" STAINLESS STEEL PLUG	1
2	12901	SS REAR BRACKET WASHER	4
3	13777SS	3/4" STAINLESS STEEL PLUG	1
4	13778V	O-RING FKM	1
5	17034	5/16" - 18 X 1 3/4" ZINC PLATED	4
6	18001SS	SS PUMP HOUSING	1
7	18004SS	SS WEAR PLATE	1
8	18008SS	3" NPT OUTLET FLANGE	1
9	18010SS	3/8" - 16 X 1 1/4" SS CAP SCREW HXHD	8
10	18012SS	3" NPT INLET FLANGE	1
11	18021	ADAPTER GASKET	1
12	18023SS	1" SS IMPELLER & DRIVE SHAFT FOR GAS ENGINE	1
12	18023-1125SS	1 1/4" SS IMPELLER & DRIVE SHAFT FOR ELECTRIC MOTOR (300PO-SSCF)	1
13	18026SS	ADAPTER FOR GAS ENGINE	1
13	18048SS	ADAPTER FOR ELECTRIC MOTOR (300PO-SSCF)	1
14	18027	3/8" - 16 X 1 1/2" HHCS	4
15	18033	HANDLE	1
16	18034	3/4" SS JAM NUT	1
17	18035	Z RAILS	1
18	18042	FKM GASKET CHECKVALVE ASSEMBLY	1
19	18044	FKM OUTLET GASKET	1
20	18106SS	WEAR PLATE FLAT HEAD SCREW	2
21	18125SS	FKM SEAL ASSEMBLY	1
22	18129	CLAMP ASSEMBLY	1
23	UV15163V	O-RING FKM	1
24	V10118	5/16" LOCK WASHER	4
25	V10119	5/16" - 18 SS HEX NUT	4
26	V20018	3/8" SS LOCK WASHER	18
27	V20019	3/8" 16 SS HEX NUT	6
KIT	18100SS	REPAIR KIT(CONSIST OF ITEMS 7,11,12, 20 & 21)	1

3" STAINLESS STEEL PUMPS

KITS 3" STAINLESS STEEL PUMPS

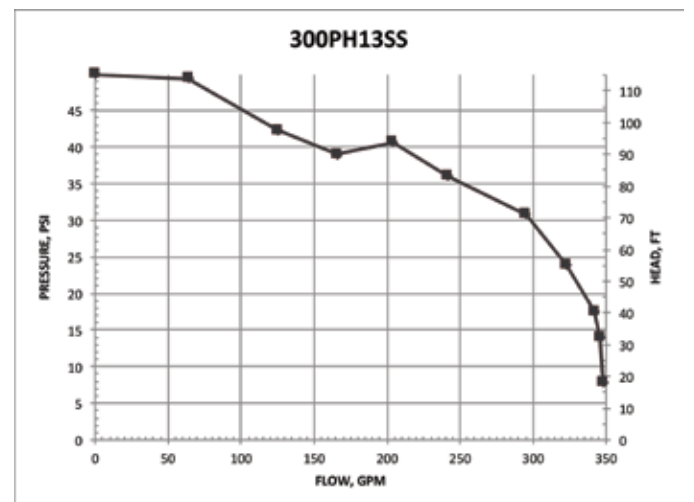
PART NO	FKM REPAIR KIT NO	FKM SEAL KIT NO
300PH13SS	18100SS	18025SS
300PB-SS	18100SS	18025SS
300PO-SS	18100SS	18025SS



WARNING! DO NOT RUN PUMP DRY, RESTRICT OR REDUCE PORT SIZES OR DEAD HEAD PUMP



WARNING! DO NOT USE WITH FLAMMABLE LIQUIDS



Note: Please see repair parts list for 300PHYSS on our website.

ENGINE/MOTOR REFERENCE

- Engine warranty service contact information:
- Briggs and Stratton® phone: 414-259-5262 www.briggsandstratton.com
- Honda® phone: 800-426-7701 www.honda.com

BRIGGS & STRATTON® ENGINES

BANJO PART NO	E3	E6.5PRO	E6.5PROE	E11PROE	E23
MANUFACTURER	BRIGGS & STRATTON®	BRIGGS & STRATTON®	BRIGGS & STRATTON®	BRIGGS & STRATTON®	BRIGGS & STRATTON®
MODEL NO	083132-1110-F1	130G32-0122-F1	130G37-0136-F1	19N137-0076-F1	386447-3048-G1
RATED HP	3.5 HP @ 3600 RPM	6.5 HP @ 3600	6.5 HP @ 3600 RPM	11 HP @ 3600	23.0 HP @ 3600 RPM
RATED TORQUE	4.9 FT-LBS @ 2800 RPM	9 FT-LBS @ 2800 RPM		15.50 FT-LBS @ 2800 RPM	
SHAFT SIZE	3/4" DIAMETER W/ 3/16" KEY WAY	3/4" DIAMETER W/ 3/16" KEY WAY	3/4" X 2 27/64", 3/16" KEY WAY	3/4" DIAMETER W/ 3/16" KEY WAY	1 1/8" X 4", 1/4" KEY WAY
SHAFT ID THREAD	5/16"-24 UNF 2B	5/16"-24 UNF 2B	5/16"-24 UNF	5/16"-24 UNF 2B	3/8" - 24 UNF
ENGINE OIL REQUIRED	SYNTHETIC 5W30	ABOVE 40°F: 30W BELOW 40°F: 5W30	ABOVE 40°F: 30W BELOW 40°F: 5W30	SYNTHETIC 10W30	ABOVE 40°F: 30W BELOW 40°F: 5W30
ENGINE OIL CAPACITY	21 OZ	20 OZ	20.0 OZ	28 OZ	48.0 OZ
FUEL REQUIRED	77	77	87	77	87
FUEL TANK CAPACITY	.50 GALLON	1 GALLON	0.825	1 GALLON	N/A
OIL ALERT	N	N	Y	N	N
ELECTRIC START	N	N	Y	N	Y
OVER HEAD VALVE	N	N	Y	N	Y

HONDA® ENGINES

BANJO PART NO	E5H	E5HE	E6H	E8H	E13H	E24H
MANUFACTURER	HONDA®	HONDA®	HONDA®	HONDA®	HONDA®	HONDA®
MODEL NO	GX160	GX160	GX200	GX240	GX390	GX690RHTAF
RATED HP	5.4 HP @ 3600	5.4 HP @ 3600	6.4 HP @ 3600	8.0 HP @ 3600	13.0 HP @ 3600	22.1 HP @ 3600 RPM
RATED TORQUE	8.0 FT-LBS @ 2500 RPM	8.0 FT-LBS @ 2500 RPM	7.76 FT-LBS @ 2600 RPM	12.3 FT-LBS @ 2500 RPM	19.5 FT-LBS @ 2500 RPM	35.6 FT-LB @ 2500 RPM
SHAFT SIZE	3/4" DIAMETER W/ 3/16" KEY WAY	3/4" DIAMETER W/ 3/16" KEY WAY	3/4" DIAMETER W/ 3/16" KEY WAY	1" DIAMETER W/ 1/4" KEY WAY	1" DIAMETER W/ 1/4" KEY WAY	1 1/8" X 4", 1/4" KEY WAY
SHAFT ID THREAD	5/16"-24 UNF 2B	5/16"-24 UNF 2B	5/16"-24 UNF 2B	3/8"-24 UNF 2B	3/8"-24 UNF 2B	7/16" - 20 UNF-2B
ENGINE OIL REQUIRED	10W30	10W30	10W30	10W30	10W30	10W30
ENGINE OIL CAPACITY	.63 QT	.63 QT	.63 QT	1.16 QT	1.16 QT	2.1 QT
FUEL REQUIRED	86	86	86	86	86	86
FUEL TANK CAPACITY	.95 GALLON	.95 GALLON	.95 GALLON	1.59 GALLON	1.72 GALLON	N/A
OIL ALERT	Y	Y	Y	Y	Y	Y
ELECTRIC START	N	Y	N	Y	Y	Y
OVER HEAD VALVE	Y	Y	Y	Y	Y	Y

ELECTRIC MOTORS

BANJO PART NO	BEM5	BEM15
MANUFACTURER	BALDOR®	MARATHON®
MODEL NO	CEM3613T	215TTFW14010
RATED HP	5 HP	15 HP
SHAFT SIZE	1 1/8"	1 3/8"
DESCRIPTION	TEFC	TEFC
PHASE	3	3
RPM @ 60 HZ	3450	3450
NEMA FRAME SIZE	184TC	215TC
VOLTAGE	230/460	208-230/460
EFF@FULL LOAD	88.5	88.5

BRITISH PIPE THREAD

BRITISH PIPE THREAD

PART NO	DESCRIPTION	PAGE NO
DM100ABSS	1" STAINLESS STEEL MALE DRY MATE WITH BSP & ALL PTFE SEALS	56
DM100DBSS	1" STAINLESS STEEL FEMALE DRY MATE WITH BSP & FKM FACE SEAL	56
DM150AB	1 1/2" POLY MALE DRY MATE WITH BSP & FKM FACE SEAL	52
DM150ABSS	1 1/2" STAINLESS STEEL MALE DRY MATE WITH BSP & ALL PTFE SEALS	57
DM150DB	1 1/2" POLY FEMALE DRY MATE WITH BSP	52
DM150DBSS	1 1/2" STAINLESS STEEL FEMALE DRY MATE WITH BSP & FKM FACE SEAL	57
DM150DBSSE	1 1/2" STAINLESS STEEL FEMALE DRY MATE WITH BSP & EPDM FACE SEAL	57
DM200AB	2" POLY MALE DRY MATE WITH BSP & FKM FACE SEAL	53
DM200ABSS	2" STAINLESS STEEL MALE DRY MATE WITH BSP	58
DM200DB	2" POLY FEMALE DRY MATE WITH BSP & FKM FACE SEAL	53
DM200DBSS	2" STAINLESS STEEL FEMALE DRY MATE WITH BSP & FKM FACE SEAL	58
DM200DBSSE	2" STAINLESS STEEL FEMALE DRY MATE WITH BSP & EPDM FACE SEAL	58
DM220ABSS	2" MALE X BSP THREADS W/PTFE SEALS	59
DM220DBSS	2" FP FEMALE X BSP THREADS	59
NIP2101	2" NPT X BSP WHITE	62

Note: Check out our full list of available BSP products on our website: banjocorp.com/banjo/sales-sheets

REFERENCE

PART NO	PAGE NO(S)	WEIGHT	PART NO	PAGE NO(S)	WEIGHT	PART NO	PAGE NO(S)	WEIGHT
DM100DSSE	56	3.75	DM220A	54	4.3	EVX200BL	21	N/A
DM100PL	56	0.25	DM220ABSS	59	0.43	EVX200SL	21	N/A
DM101SS	56	0.57	DM220ASS	59	7.8	EVX201	19	N/A
DM10294A	56	0.02	DM220CAP	54, 59	1	EVX220	19, 25	4.92
DM10295A	56	0.02	DM220D	54	5.482	EVX220BL	21	N/A
DM10296	56	0.1	DM220DBSS	59	7	EVX220SL	21	N/A
DM102SSE	56	0.5	DM220DSS	59	9.8	EVX221	19	N/A
DM102SST	56	0.125	DM220PL	59	1	EVX300	20	9.24
DM102SSV	56	0.57	DM221PL	54	N/A	EVXR071	18	N/A
DM150A	52	2.2	DM221SS	59	0.45	EVXR075BL	21	N/A
DM150AB	52	2.2	DM222SS	59	0.47	EVXR075SL	21	N/A
DM150ABSS	57	6.3	DM25153F	54	N/A	EVXR100	18	N/A
DM150AE	52	2.75	DM25153M	54	N/A	EVXR100BL	21	N/A
DM150ASS	57	6.35	DM25200	54	N/A	EVXR100SL	21	N/A
DM150D	52	2.75	DM25294	59	N/A	EVXR101	18	N/A
DM150DB	52	2.2	DM25294E	59	0.026	EVXR121	18	N/A
DM150DBSS	57	6.9	DM25294T	59	0.05	EVXR125	18	N/A
DM150DBSSE	57	6.9	DM300ACF	35	7.72	EVXR125BL	21	N/A
DM150DE	52	2.82	DM300AFP	55	4.8	EVXR125SL	21	N/A
DM150DSS	57	6.9	DM300CAP	55	2.82	EVXR150	18	N/A
DM150DSSE	57	6.9	DM300DCF	35	8.4	EVXR150BL	21	N/A
DM200A	53	2.2	DM300DFP	55	8.4	EVXR150SL	21	N/A
DM200AB	53	2.2	DM300PL	55	1	EVXR151	18	N/A
DM200ABSS	58	6.2	DM35153F	55	0.466	EVXR200	19	N/A
DM200ACAP	57, 58	1	DM35153M	55	0.662	EVXR200BL	21	N/A
DM200ACF	35	3.15	DM35200	55	N/A	EVXR200SL	21	N/A
DM200AE	53	2.75	DM35294	55	0.086	EVXR201	19	N/A
DM200APL	57, 58	0.5	DMMT201A	53	2.5	EVXR220	19	N/A
DM200ASS	58	6.2	DMMT201AE	53	2.5	EVXR220BL	21	N/A
DM200AT	53	2.2	DPCF100	51	0.5	EVXR220SL	21	N/A
DM200CAP	52, 53	0.5	DPCM100	51	0.25	EVXR221	19	N/A
DM200D	53	2.75	DPCMT100	51	0.27	EVXR300	20	8.8
DM200DB	53	2.2	EL025-90	81	0.03	FC100	45	0.25
DM200DBSS	58	6.9	EL038-90	81	0.04	FC200	45	0.23
DM200DBSSE	58	6.9	EL050-90	81	0.07	FC220	37, 45	0.25
DM200DCF	35	2.75	EL075-90	81	0.1	FC220B	45	1.37
DM200DE	53	3	EL100-45	81	0.14	FC220TB	45	0.43
DM200DSS	58	6.9	EL100-90	81	0.15	FC300	37, 45	0.34
DM200DSSE	58	6.9	EL125-90	81	0.23	FC300B	45	1.76
DM200DSST	58	6.9	EL150-90	81	0.33	FC300TB	45	0.52
DM200DT	53	2.75	EL200-90	81	0.44	FM100	38	2.75
DM200PL	52, 53	0.43	EL300-90	81	1.21	GHFT075A	77	0.06
DM20153F	52, 53	0.25	EVX071	18	N/A	GHFT075D	77	0.17
DM20153M	52, 53	0.32	EVX100	18	3.96	GHFT075G	77	0.025
DM201SS	57, 58	1.24	EVX100BL	21	N/A	GHFT075MPT	77	0.04
DM20200A	52, 53	0.25	EVX100SL	21	N/A	GHMT075B	77	0.14
DM20200D	52, 53	0.27	EVX101	18	N/A	GHMT075F	77	0.05
DM20294A	52, 53, 57, 58	0.03	EVX121	18	N/A	GHMT075FPT	77	0.04
DM20296	52, 53, 57, 58	0.125	EVX125	18	3.92	GHMT075MPT	77	0.04
DM202SSE	57, 58	1.25	EVX150	18	4.45	GHN075	77	0.6
DM202SST	57, 58	1.3	EVX151	18	N/A	H25053	3	0.28
DM202SSV	57, 58	1.32	EVX200	19, 25	4.33	HB025	82	0.01

REFERENCE

PART NO	PAGE NO(S)	WEIGHT	PART NO	PAGE NO(S)	WEIGHT	PART NO	PAGE NO(S)	WEIGHT
HB025-038	82	0.01	HB150-125	82	0.1	HY1013	105, 117, 155	4.5
HB025-038SS	82	0.07	HB150-200	82	0.19	HY10131	111	N/A
HB025-050	82	0.01	HB150-90	82	0.23	HY10132	111	N/A
HB025-050SS	82	0.07	HB150/125-90	82	0.16	L150B	75	0.58
HB025-90	82	0.01	HB150SS	82	0.75	L150C	75	0.58
HB025/038-90	82	0.01	HB200	82	0.2	L150CAP	75	0.55
HB025/050-90	82	0.02	HB200-150	82	0.27	L150D	75	0.6
HB025SS	82	0.04	HB200-90	82	0.33	L200B	75	0.64
HB038	82	0.01	HB200/150-90	82	0.22	L200C	75	0.7
HB038-050	82	0.02	HB200SS	82	1.13	L200CAP	75	0.62
HB038-050SS	82	0.1	HB300	82	0.7	L200D	75	0.67
HB038-90	82	0.02	HB300-90	82	1.05	LEV038	22	0.55
HB038SS	82	0.09	HB300SS	82	3.55	LEV038PL	22	0.08
HB050	82	0.03	HB400	82	1.6	LEV050	22	0.6
HB050-025	82	0.03	HBB20012590	81	0.25	LS050-20	90	0.35
HB050-038	82	0.02	HBC050075	80	0.05	LS050-40	90	0.35
HB050-058SS	82	0.14	HBEL100-90	81	0.05	LS050-80	90	0.37
HB050-075	82	0.03	HBEL150/100-90	81	0.19	LS050-B	91	0.22
HB050-075SS	82	0.2	HBFB075	82	0.06	LS050B/C1	91	0.98
HB050-90	82	0.03	HBFB075-100	82	0.07	LS075-20	90	0.3
HB050/038-90	82	0.02	HBFB075-90	82	0.06	LS075-40	90	0.33
HB050/075-90	82	0.04	HBFB100	82	0.09	LS075-80	90	0.35
HB050SS	82	0.13	HBFB100-90	82	0.07	LS075-B	91	0.23
HB075	82	0.04	HBT025	83	0.03	LS075-C1	91	0.29
HB075-038	82	0.03	HBT038	83	0.03	LS075-G	91	0.02
HB075-050	82	0.03	HBT050	83	0.03	LS075B/C1	91	0.28
HB075-050SS	82	0.2	HBT050-075	83	0.03	LS100-20	90	0.91
HB075-058	82	0.04	HBT075	83	0.05	LS100-40	90	0.9
HB075-100	82	0.05	HBT075-050	83	0.04	LS100-80	90	0.96
HB075-100SS	82	0.25	HBT075-050SS	83	0.246	LS100-B	91	0.5
HB075-90	82	0.05	HBT075-100	83	0.06	LS100-C1	47, 91	0.88
HB075/050-90	82	0.04	HBT100	83	0.07	LS100-G	47, 91	0.02
HB075/100-90	82	0.05	HBT100-075	83	0.06	LS100-GV	91	0.02
HB075SS	82	0.2	HBT100-100	83	0.08	LS100B/C1	91	0.88
HB100	82	0.06	HBT150-100	83	0.21	LS120	47, 91	0.07
HB100-075	82	0.06	HBT150-150	83	0.23	LS125-20	90	0.86
HB100-075SS	82	0.3	HBT200	83	0.4	LS125-40	90	0.84
HB100-125	82	0.08	HBT300	83	1.15	LS125-80	90	0.9
HB100-90	82	0.07	HM025	83	0.03	LS125-B	91	0.59
HB100/075-90	82	0.06	HM038	83	0.03	LS125B/C1	91	0.25
HB100/125-90	82	0.1	HM050	83	0.01	LS140	47, 91	0.07
HB100SS	82	0.3	HM075	83	0.02	LS150-06	92	2.42
HB125	82	0.1	HM100	83	0.04	LS150-12	92	2.42
HB125-075	82	0.08	HM125	83	0.07	LS150-120	92	2.5
HB125-100	82	0.09	HM150	83	0.08	LS150-20	92	2.42
HB125-150	82	0.1	HM200	83	0.22	LS150-30	92	2.5
HB125-90	82	0.11	HM300	83	0.73	LS150-50	92	2.5
HB125/100-90	82	0.09	HSV1000	104, 110, 116, 128, 140, 146, 154	11	LS150-80	92	2.5
HB125/150-90	82	0.09	HV200	36	0.58	LS150-B	93	1.4
HB125SS	82	0.5	HY1001	141	1.5	LS150-C	47, 93	0.57
HB150	82	0.13	HY1003	105, 117	1.5	LS150-G	47, 93	0.03
HB150-100	82	0.09	HY1012	141, 147	13.2	LS150-GV	47, 93	0.03

PART NO	PAGE NO(S)	WEIGHT	PART NO	PAGE NO(S)	WEIGHT	PART NO	PAGE NO(S)	WEIGHT
RN050-038	79	0.02	TC287	78	0.17	TL650E	63	0.5
RN075-050	79	0.03	TC312	78	0.17	TL650S	63	0.5
RN100-050	79	0.04	TC331	78	0.17	TL651S	63	0.7
RN100-075	79	0.06	TC343	78	0.17	TL652E	63	0.5
RN125-075	79	0.08	TC425	78	0.18	TL652S	63	0.63
RN125-100	79	0.08	TC438	78	0.36	TL6531	64	0.07
RN150-100	79	0.12	TC456	78	0.37	TLA10	63	2.58
RN150-125	79	0.14	TEE025	80	0.04	TLV10R	63	1.5
RN200-125	79	0.17	TEE038	80	0.05	TLV2	63	0.02
RN200-150	79	0.17	TEE050	80	0.1	TLVA10	63	2.25
RN300-200	79	0.36	TEE075	80	0.14	TM075/050	83	0.28
RS21	83	0.91	TEE100	80	0.21	UB100	41	0.25
RSTB	83	0.87	TEE125	80	0.32	UB202	41	0.26
SL025-90	81	0.03	TEE150	80	0.45	UB220	41	0.32
SL038-90	81	0.03	TEE200	80	0.6	UV050FP	15	0.25
SL050-90	81	0.06	TEE300	80	1.58	UV075FP	15	0.25
SL075-45	81	0.07	TEG075	80	0.2	UV100FP	15	0.4
SL075-90	81	0.08	TEG100	80	0.21	UV125FP	15	1
SL100-45	81	0.1	TF038SS	67	0.25	UV150FP	15	1
SL100-90	81	0.13	TF050	67	0.25	UV15163	47, 87, 91, 99, 101, 103, 105, 109, 111, 119, 121, 123, 125, 127, 129, 135, 137, 139, 141, 145, 147	0.01
SL125-45	81	0.14	TF050SS	67	0.8	UV15163V	91, 99, 103, 119, 151, 153, 155, 157	0.01
SL125-90	81	0.14	TF075	67	0.2	UV200FP	15	1.5
SL150-45	81	0.25	TF075SS	67	1.15	UV204FPFD	62	1.58
SL150-90	81	0.25	TF075V	67	0.22	V050	7	0.75
SL200-45	81	0.34	TF100	67	0.35	V07018	99, 101, 103, 105, 107, 109, 111, 113, 115, 117, 119, 121	0.1
SL200-90	81	0.41	TF100AV	68	0.32	V07019	99, 101, 103, 105, 107, 109, 111, 113, 115, 117, 119, 121	0.03
SL300-45	81	0.85	TF100G	67	N/A	V075	7	0.75
SL300-90	81	1.05	TF100GV	67	N/A	V075BL	13	1.35
ST200	63	0.77	TF100SS	67	2.85	V075SL	13	1.35
ST300	63	1.27	TF125	67	0.35	V100	7	0.7
SUV050FP	15	0.25	TF125AV	68	0.68	V100BL	13	1.25
SUV075FP	15	0.4	TF125SS	67	1.92	V100FP	7	1.16
SUV100FP	15	0.4	TF138GV	67	0.1	V100SL	13	1.31
SUV125FP	15	0.88	TF150	67	0.63	V10117	135, 147	0.1
SUV150FP	15	0.88	TF150AV	68	0.68	V10118	123, 125, 127, 129, 131, 133, 135, 145, 147, 151, 153, 155, 157	0.01
SUV200FP	15	1.45	TF150SS	67	4.38	V10119	103, 123, 125, 127, 129, 131, 145, 151, 153, 155, 157	0.1
SW100	83	0.09	TF200	67	0.55	V10153138	7	0.14
SW150	83	0.2	TF200AV	68	0.6	V10161	14	0.18
SW220	83	0.5	TF200SS	67	3.6	V10264	149	0.02
TA283	64	0.14	TF200V	67	0.56	V10270	7	0.1
TA283QD	64	0.14	TF220	67	0.82	V10271	7	0.13
TC120	78	0.1	TF220G	67	0.03	V125	7	1.25
TC130	78	0.1	TF220GV	67	0.05	V125BL	13	2.25
TC150	78	0.11	TF220SS	67	5.27	V125FP	7	1.91
TC162	78	0.12	TF300	67	2	V125SL	13	2.07
TC181	78	0.12	TF300G	67	0.07	V150	7	1.87
TC193	78	0.12	TF300GV	67	0.1	V150BL	13	2
TC206	78	0.12	TF300SS	67	7.9	V150SL	13	2
TC218	78	0.13	TF400	67	4.5	V200	7	1.88
TC224	78	0.14	TF400G	67	0.7			
TC231	78	0.15	TF400GV	67	0.7			
TC250	78	0.16	TL600C	63	0.5			

PART NO	PAGE NO(S)	WEIGHT	PART NO	PAGE NO(S)	WEIGHT	PART NO	PAGE NO(S)	WEIGHT
V20011SS	143, 149	0.04	VSMT200FPAF	9	3	VSS200	16	6.91
V20018	103, 105, 111, 117, 127, 129, 133, 137, 139, 141, 143, 149, 153, 155, 157	0.02	VSMT204FP	11	1.85	VSS300	16	22.6
V20019	133, 137, 139, 141, 157	0.01	VSS025	16	0.64	W230237	65	1.07
V200BL	13	2.8	VSS038	16	0.59	W230238	65	1.17
V200FP	8	3.25	VSS050	16	0.71	W230239	65	1.07
V200SL	13	2.75	VSS075	16	1.3	W230240	65	1.1
V20153138	7	0.22	VSS100	16	2.18	WSF210FSA	65	1.2
V20207	64, 75	0.06	VSS150	16	3.97	WSF210FSAV	65	1
V204FP	9	2.71	VSS200	16	6.91	WSMT210FSA	65	1.07
V25017	4	N/A	VSS300	16	22.6	WSMT210FSAV	65	1
V25018	4	N/A	W230237	61	1.07	VSMT200FPAF	9	2.958
V25153138	7	0.16	W230238	61	1.17	VSMT204FP	11	1.874
V25270	7, 8	0.25	W230239	61	1.07	VSS025	16	0.634
V25271	7, 8	0.4	W230240	61	1.1	VSS038	16	0.59
V300	8	3.75	WSF210FSA	61	1.2	VSS050	16	0.7
V30017	4	N/A	WSF210FSAV	61	1	VSS075	16	1.298
V300FP	8	5.33	WSMT210FSA	61	1.07	VSS100	16	2.094
V35018	4	N/A	WSMT210FSAV	61	1	VSS150	16	3.996
V400	8	8.5	VSMT200FPAF	9	2.958	VSS200	16	6.808
VA150	14	2.58	VSMT204FP	11	1.874	VSS300	16	18.43
VA200	14	2.8	VSS025	16	0.634	VSSH25200	11, 35	N/A
VA200FP	14	3.83	VSS038	16	0.59	W230237	65	1.07
VC200	68	0.17	VSS050	16	0.7	W230238	65	1.17
VC230	68	0.26	VSS075	16	1.298	W230239	65	1.07
VC300	68	0.68	VSS100	16	2.094	W230240	65	1.1
VC330	68	0.68	VSS150	16	3.996	WSF210FSA	65	1.2
VFMT200FP	8	2.9	VSS200	16	6.808	WSF210FSAV	65	1
VFMT204FP	9	3.33	VSS300	16	18.43	WSMT210FSA	65	1.07
VL20153	7	0.35	VSSH25200	11, 35	N/A	WSMT210FSAV	65	1
VL25153	8	0.41	W230237	65	1.07	VSFMT204FP	11	1.85
VN100	14	0.72	W230238	65	1.17	VSFMT204HSFP	11	2
VS204FP	11	1.73	W230239	65	1.07	VSFMT300FP	12	4.29
VBHB204FP	3	2.68	W230240	65	1.1	VSFMT300HSFP	12	6.63
VBHB205FP	3	2.96	WSF210FSA	65	1.2	VSMT200	10, 12	1.35
VBHB304FP	3	5.98	WSF210FSAV	65	1	VSMT200CF	34	1.45
VBHB305FP	3	6.26	WSMT210FSA	65	1.07	VSMT200FPAF	9	3
VSF200	10	1.25	WSMT210FSAV	65	1	VSMT204FP	11	1.85
VSF200CF	30	1.5	VSFMT204FP	11	1.85	VSS025	16	0.64
VSF200FPAF	9	3.05	VSFMT204HSFP	11	2	VSS038	16	0.59
VSF204FP	11	1.75	VSFMT300FP	12	4.29	VSS050	16	0.71
VSF300	12	3.5	VSFMT300HSFP	12	6.63	VSS075	16	1.3
VSFHB200	10	1.45	VSMT200	10, 12	1.35	VSS100	16	2.18
VSFMT200	10, 12	1.45	VSMT200CF	34	1.45	VSS150	16	3.97
VSFMT204FP	11	1.85	VSMT200FPAF	9	3			
VSFMT204HSFP	11	2	VSMT204FP	11	1.85			
VSFMT300FP	12	4.29	VSS025	16	0.64			
VSFMT300HSFP	12	6.63	VSS038	16	0.59			
VSMT200	10, 12	1.35	VSS050	16	0.71			
VSMT200CF	30	1.45	VSS075	16	1.3			
			VSS100	16	2.18			
			VSS150	16	3.97			



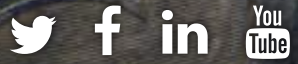
BANJO CORPORATION

BANJO LIQUID HANDLING PRODUCTS



Liquid Handling Products
BANJO CORPORATION
A Unit of IDEX Corporation
150 Banjo Drive
Crawfordsville, IN 47933 U.S.A.
Telephone: (765) 362-7367
Fax: (765) 362-0744
banjocorp.com
#yellowhandle

Follow us on:



Scan to visit
BanjoCorp.com

