



RTX-SS100.100N

Industrial Division - Series 404

Description

Another much demanded addition to the stainless steel offerings of the Annovi Reverberi RTX range. Performance and structural criteria make it optimum for many industrial applications.

List of Features

- Manifold- Machined 316L SS (including valve caps)
- Packings- High pressure fabric backed Viton, Low pressure stainless backed PTFE (Teflon)
- Plungers- Solid Ceramic
- Valves- Stainless steel caged
- Drive end- 30mm



RTX-SS 1450 RPM N VERSION SOLID SHAFT 30MM

MODEL	MAX GPM	MAX L/MIN	MAX PSI	MAX BAR	POWER EBHP	BORE DIA MM	STROKE MM	CRANKSHAFT ID STAMP	WEIGHT LBS.
RTX-SS100.100N	26.4	100	1450	100	27.0	36	23	3	72

WARNING: This product can expose you to chemicals including lead, DEHP, DINP which is known to the State of California to cause cancer and or lead to birth defects. For more information go to www.P65Warnings.ca.gov

PRECAUCIÓN: Este producto puede exponerle a los productos químicos incluyendo el plomo, DEHP, y DINP, que se saben al estado de California para causar el cáncer y/o defectos de nacimiento. Para más información, vaya a www.P65warnings.gov



NORTH AMERICA

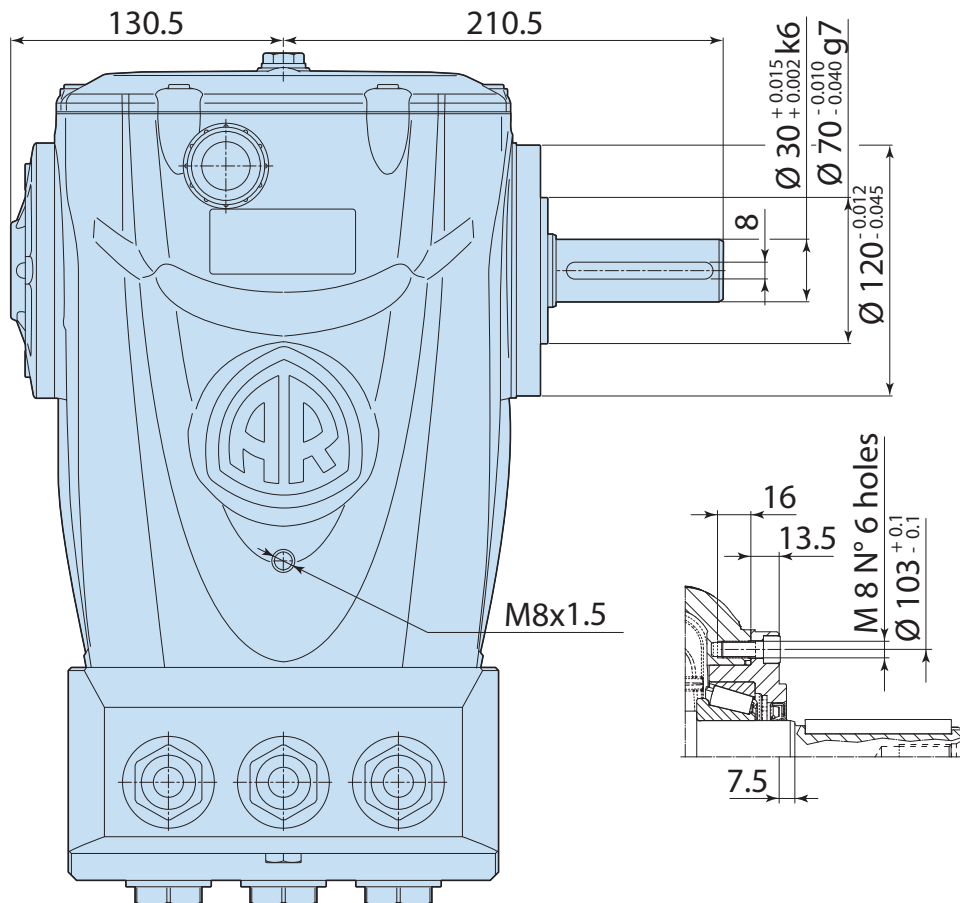
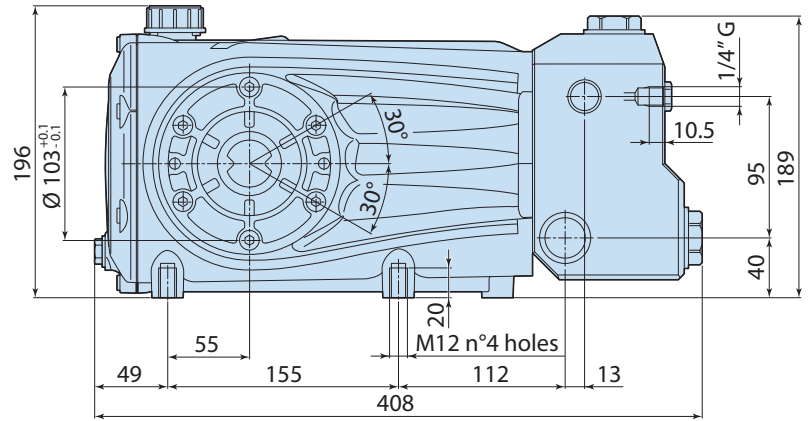
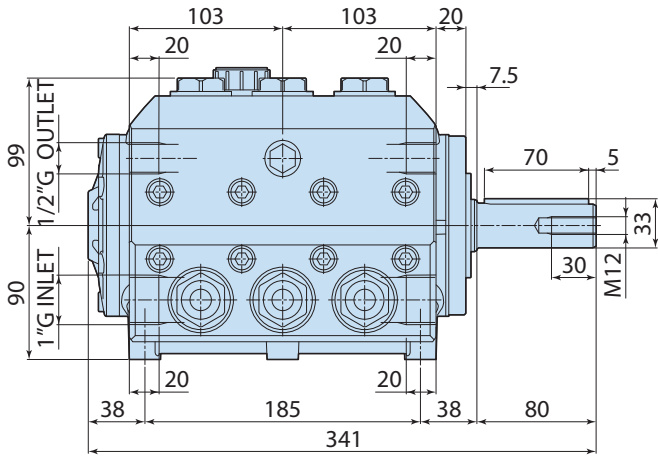
When Quality Matters



RTX-SS100.100N

Industrial Division - Series 404

Dimensional Drawing



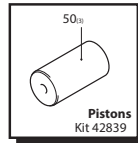
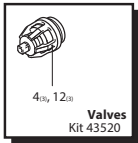
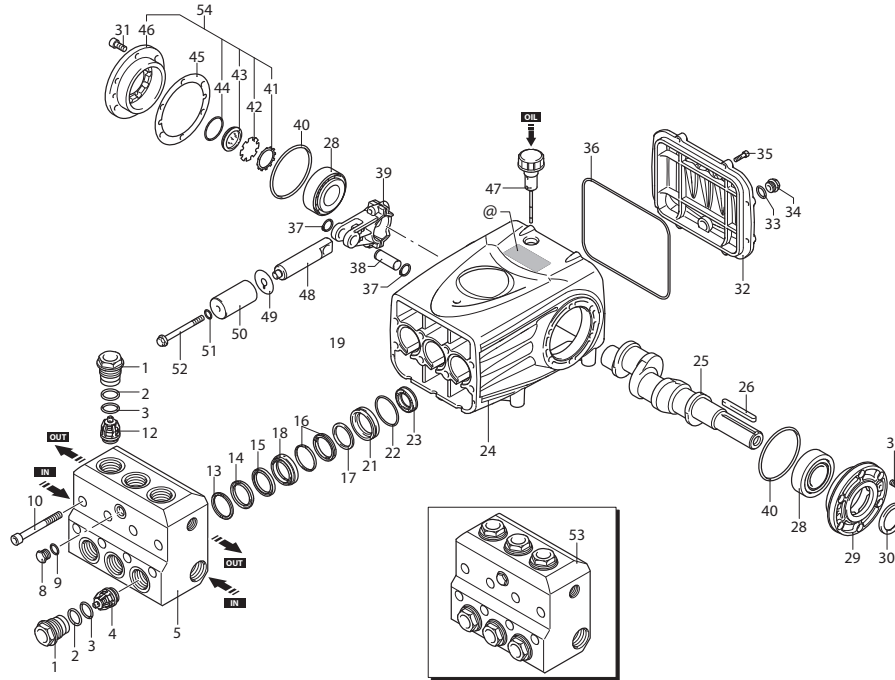
NORTH AMERICA

When Quality Matters

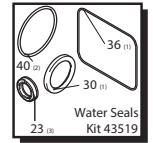
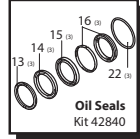


RPV 3400 RPM

Breakdown



Repair Kits



Pos	Code	Description	Qty	Pos	Code	Description	Qty	Legend
1	4040060	Valve cap (γ=300Nm)	6	34	2282280	plug with magnet	1	✓ Tightening torque tolerance +0÷-10% ● Screw with Loxeal 55-14 ○ Lubricate with grease Molykote PG54 on the INNER diameter only. ■ Identification Plate only
2	2821390	Backup ring	6	35	680700	bolt (γ=25Nm (220 in*lbs))	8	
3	1540631	o-ring (Viton)	6	36	3660360	o-ring	1	
4	4049050	Complete inlet valve	3	37	3660330	ring	6	
5	4040210	Pump manifold/head (Inox)	1	38	3660090	pin	3	
8	4040120	1/4" plug (γ=15Nm (130 in*lbs))	1	39	3660070	connecting-rod aluminum	3	
9	820511	o-ring (Viton)	1	40	3660740	o-ring	2	
10	850261	head bolt (γ=36Nm (320 in*lbs))	8	41	1941290	ring	1	
12	4049051	Complete outlet valve	3	42	1941260	disc	1	
13	3660510	Ring	3	43	1941270	level gauge	1	
14	4040130	Seal ○	3	44	100410	o-ring	1	
15	3660520	Backup ring	3	44	3660270	Shim 0.10 mm	1	
16	3660730	Seal	3	44	3660280	Shim 0.19 mm	1	
17	3660550	Backup ring	3	45	3660260	Shim 0.05 mm	1	
18	4040160	front piston guide	3	46	4040050	side cover	1	
21	4040150	rear piston guide	3	47	3660350	plug with dipstick	1	
22	1320361	o-ring (Viton)	3	48	3660081	piston guide	3	
23	3660310	seal	3	49	4040170	disc	3	
24	4040010	Pump body	1	50	3660130	piston	3	
25	3660060	shaft	1	51	3660342	o-ring (Viton)	3	
26	3660320	key	1	52	4040070	bolt (γ=20Nm (180 in*lbs))	3	
28	3660290	bearing	2	53	4049201	Head assembly (Ø 36)	1	
29	4040040	side cover	1	54	4049000	Complete side cover assembly	1	
30	3660300	seal	1					Oil Part Number Oil Capacity - X.X oz SAE 75W90
31	180031	bolt (γ=20Nm (180 in*lbs))	12					
32	4040030	rear cover	1					
33	740290	o-ring	1					

